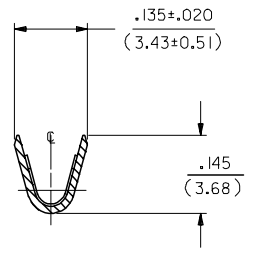
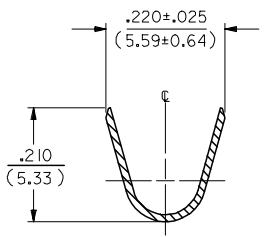
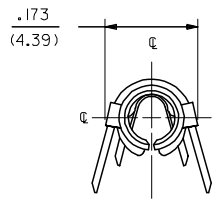


PART NO.	ENG. NO.
02-09-1111	7238-(P90)I
02-09-1112	7238-(P90)IL



SECT. "A-A"

SECT. "B-B"

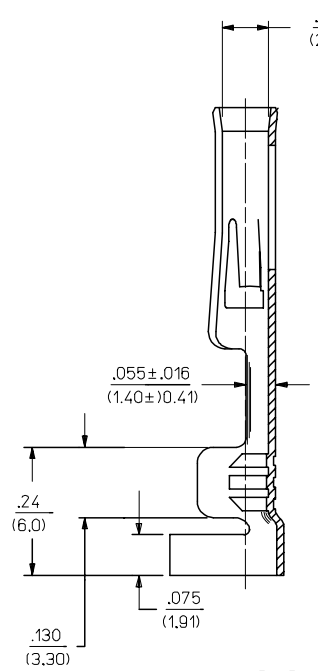
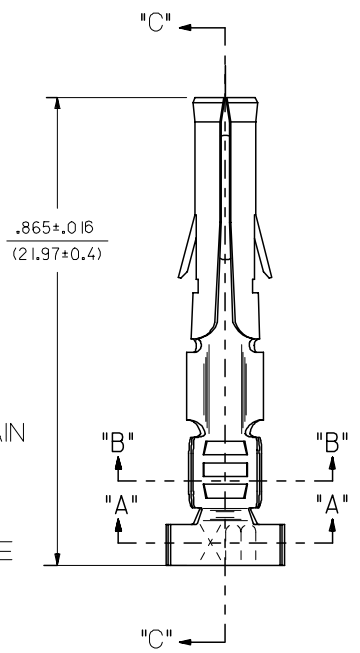
LEGEND

7238-(****)*

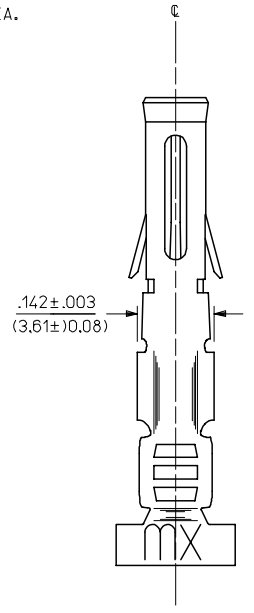
FORM
BLANK = CHAIN
L = LOOSE

P = PREPLATE
BLANK = POSTPLATE

FINISH CODE

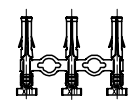


SECT. "C-C"



NOTES:

- 1) MATERIAL: BRASS.
- 2) FINISH: 901 HOT TIN DIP .000020 / (0.0005) MIN.
- 3) PRODUCT SPECIFICATION: PS-02-09.
- 4) TERMINAL FOR USE WITH .093 / (2.36) SERIES HOUSINGS AND WILL ACCEPT 14 THRU 18 AWG WIRE, .160 / (4.06) MAX. INSULATION DIA.



CHAIN FORM
FULL SCALE

REMOVE SLOT (TOP VIEW) FC NO: UCP2006-2789 DRAWN:FSM TH 2006/05/24 CHKD:LSHMI DT 2006/05/25 APPR:FSM TH 2006/05/26 REV	QUALITY SYMBOLS =0 =0	GENERAL TOLERANCES (UNLESS SPECIFIED)		DIMENSION STYLE IN/MM		SCALE 1:1	DESIGN UNITS INCH	THIRD ANGLE PROJECTION
		mm	INCH	DRAWN BY KBW	DATE 8/22/89	TITLE CRIMP TERM., FEMALE .093/(2.36) DIA. FOR 14 THRU 18 AWG WIRE		
4 PLACES ± --- ± ---		3 PLACES ± --- ± .010		CHECKED BY RW		DATE 8/22/89		MATERIAL NO. GWF
2 PLACES ± 0.25 ± .014		1 PLACE ± 0.36 ± ---		APPROVED BY DATE 8/22/89		DOCUMENT NO. SD-7238-*		
ANGULAR ±1/2°		DRAFT WHERE APPLICABLE MUST REMAIN WITHIN DIMENSIONS		SEE CHART		SHEET NO. 1		
THIS DRAWING CONTAINS INFORMATION THAT IS PROPRIETARY TO MOLEX INCORPORATED AND SHOULD NOT BE USED WITHOUT WRITTEN PERMISSION								