



MICRO SWITCH

FREEPORT, ILLINOIS, U.S.A.
A DIVISION OF HONEYWELL

FED. MFG. CODE 91829

SWITCH - BASIC

CATALOG LISTING

BZ-3RQ1-A2

ALQ2500

REPLACES

M BZ-3RQ1-A2
PAGE 1 OF 1

RELEASE NO.

DRAWING NUMBER

ISSUE

8

REVISIONS

A	CO17410	22 MAY 63
B	CO-73287-B	19 MAY 93
C	CO-77589	29 MAR 94
D	CO-82133	
E	CO93346	
F	0015139	

CSL 25 JUL 96

DLT 11 SEP 98

TSG 23 AUG 05

FORMTEK
FO-50376

DRAWN

G C H 22 MAY 63

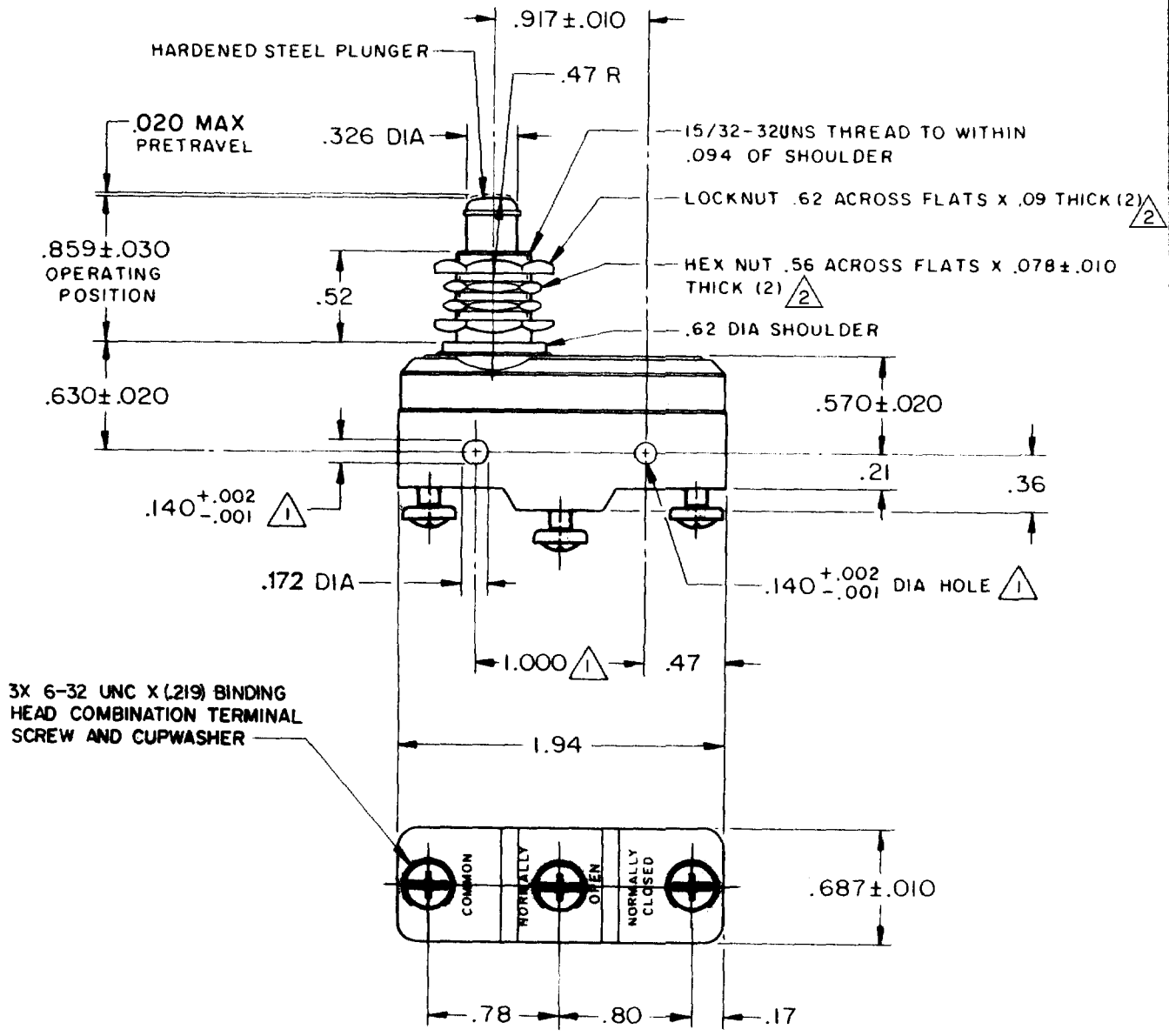
CHECK

L.S.D. 15 JUNE 63

CHECK

RJ 23 AUG 05

CHECK



- NOTES**
- ① MOUNTING HOLES WILL ACCEPT PINS OR SCREWS OF .139 MAX DIA ON 1.000+.002 CENTERS
 - ② HARDWARE FURNISHED UNASSEMBLED

THIS DRAWING COVERS A PROPRIETARY ITEM AND IS THE PROPERTY OF MICRO SWITCH, A DIVISION OF MINNEAPOLIS-HONEYWELL REGULATOR CO. THIS DRAWING IS NOT TO BE COPIED OR USED WITHOUT THE APPROVAL OF MICRO SWITCH.

CHARACTERISTICS	ELECTRICAL DATA	SCALE FULL
OPERATING FORCE ----- 14 - 20 OZ	CONTACT ARRANGEMENT S P D T	DO NOT SCALE PRINT
RELEASE FORCE ----- 4 OZ MIN	-L96- 15 A - 125, 250, OR 480 VAC 1/2 A - 125 VDC; 1/4 A - 250 VDC 1/8 HP - 125 VAC; 1/4 HP - 250 VAC	UNLESS OTHERWISE NOTED DIMENSIONS ARE IN INCHES TOLERANCES ARE:
DIFFERENTIAL TRAVEL ----- .0008 - .0030	-L288- -L306- -L315-	ONE PLACE (.0) ±.030 TWO PLACE (.001) ±.015 THREE PLACE (.000) ±.005 ANGLES ±
OVERTRAVEL ----- .219 MIN	CE EN05 EC T85 5E4	WEIGHT .094 LB