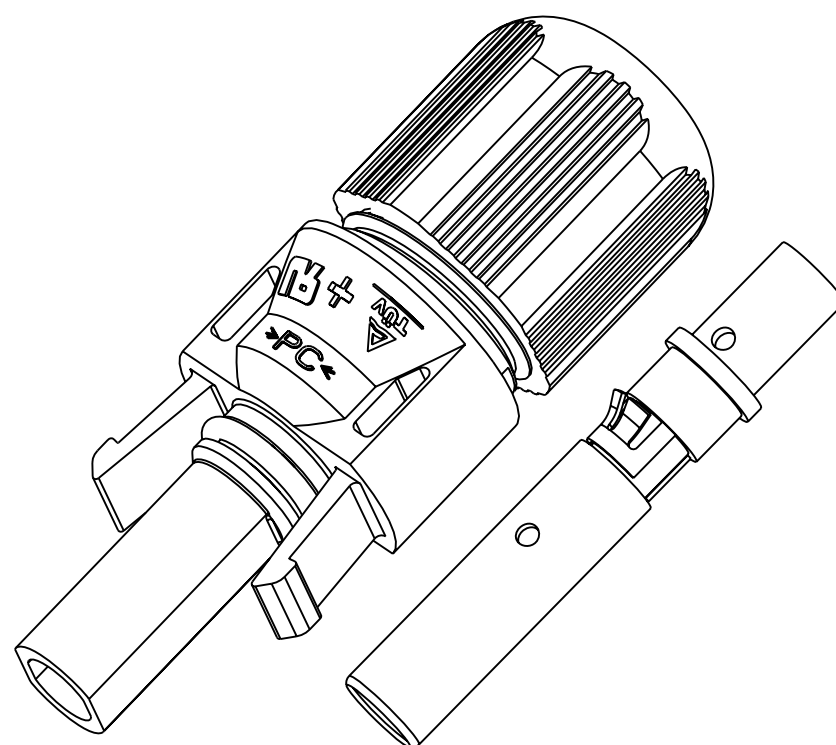


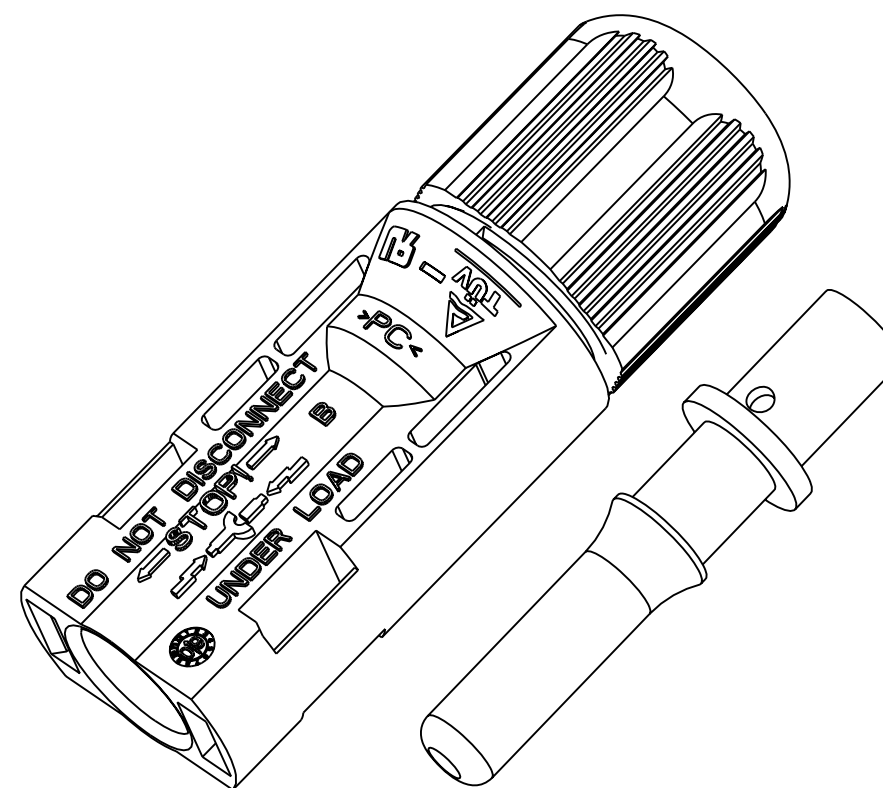
H4-C TYPE		DOCUMENT NO.	
SHEET 1 OF 2		REV. B	
REVISIONS			
LTR	DESCRIPTION	DATE	
A	INITAIL RELEASE	2010-3-10	
B	ADD 10 sq mm PART	2010-6-23	

CODE NUMBER (MATED PAIR)	CODE NUMBER (FEMALE)	CODE NUMBER (MALE)	ACCEPT WIRE CONDUCTOR SIZE sq mm (AWG)
H4CPC6X-X	H4CFC6X-X	H4CMC6X-X	6.0 (10)
H4CPC2X-X	H4CFC2X-X	H4CMC2X-X	2.5 (14)
H4CPC4X-X	H4CFC4X-X	H4CMC4X-X	4.0 (12)
H4CPC0X-X	H4CFC0X-X	H4CMC0X-X	10.0

CUSTOMER DRAWING



FEMALE CONNECTOR
H4-CFCXXX-000



MALE CONNECTOR
H4-CMCXXX-000

4. SPECIFICATIONS:

CONTACT SIZE	2.5MM ² /AWG14	4MM ² /AWG12	6MM ² /AWG10	10MM ²
RATED CURRENT (AT 85°C AMBIENT)	36A	45A	52A	65A
RATED VOLTAGE	UL 600V DC TUV 1000V DC			
CONTACT RESISTANCE	0.25mΩ TYP.			
DEGREE OF PROTECTION, MATED	IP68(1m, 1h)			
PIN CONTACT MATERIAL	COPPER, TIN PLATED			
INSULATION MATERIAL	THERMOPLASTIC, UL94-V0			
AMBIENT TEMPERATURE RANGE	-40°C...+90°C			
STRIP LENGTH	7.0 mm(9/32")			
CABLE JACKET DIAMETER	4.5...7.8mm(3/16" ...5/16")			

3. USE ONLY CRIMP TOOL AMPHENOL PV-670508-000 TO CRIMP CONTACTS

2. PINS SHOWN UNINSTALLED, FOR REFERENCE ONLY

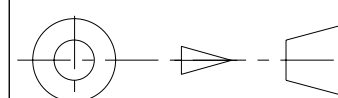
1. THIS ASSEMBLY SHALL BE CERTIFIED RoHS COMPLIANT TO THE EUROPEAN UNION DIRECTIVE 2002/95/EC AS AMENDED PER 2005/618/E

NOTES:

THE USE OF THIS DOCUMENT IS UNLIMITED. HOWEVER, DOCUMENTS REFERENCED HEREON MAY CONTAIN LIMITED RIGHTS DATA.

N/A	PRO/ENGINEER INFORMATION
N/A	Pro/e Model Used: CPV-090508-M.ASSEM
N/A	Drawing Name: H4-CPCXXX-000
N/A	NEXT ASSEMBLY

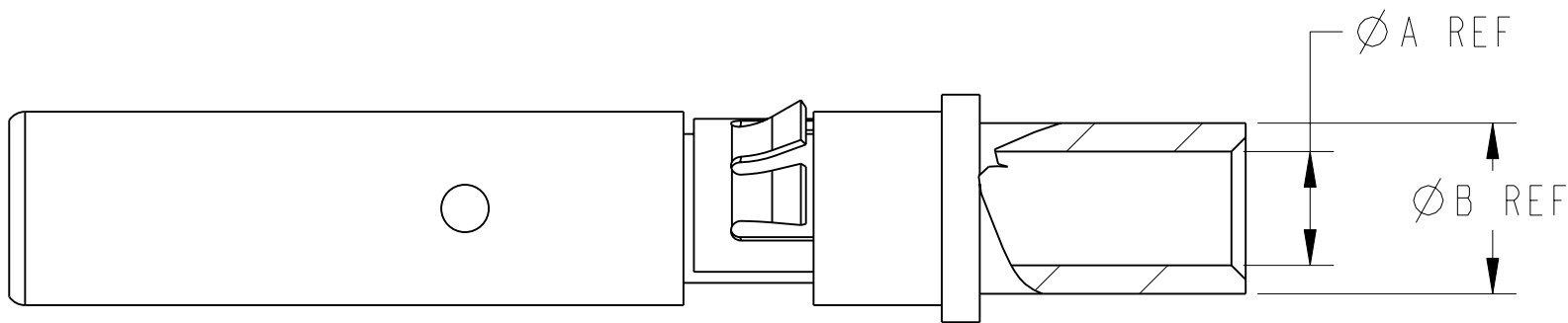
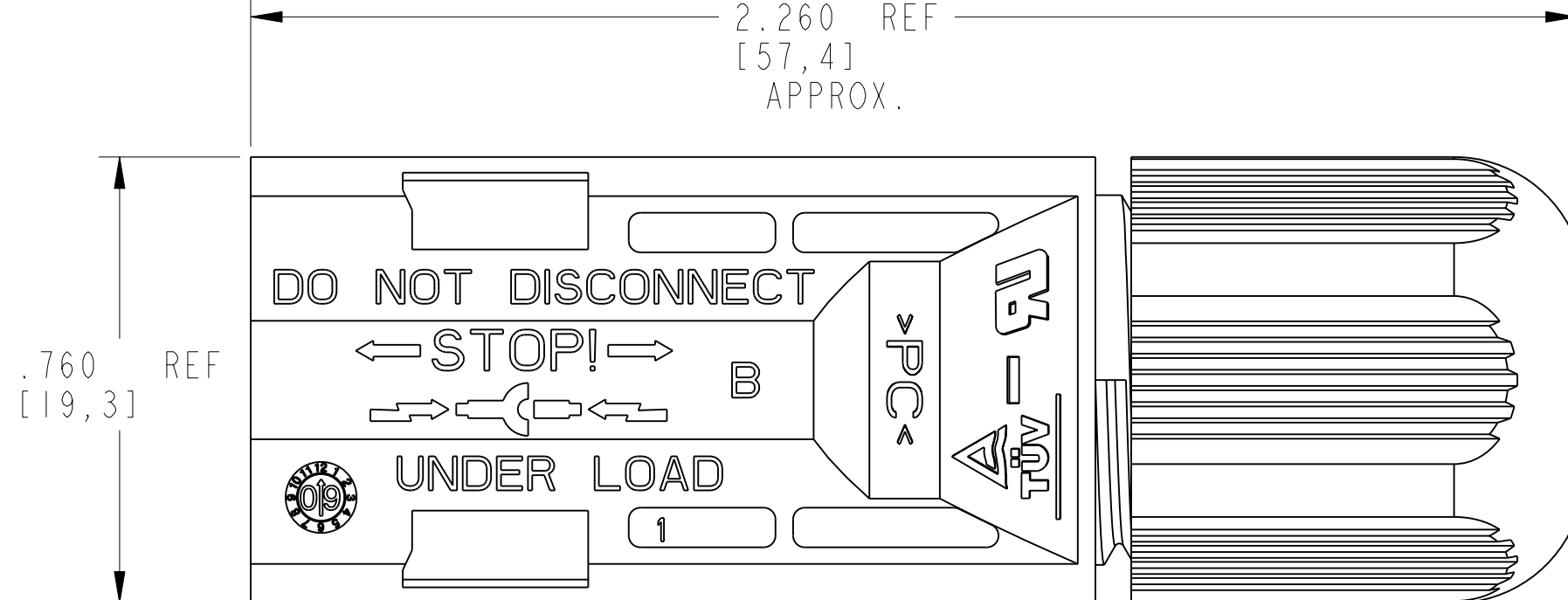
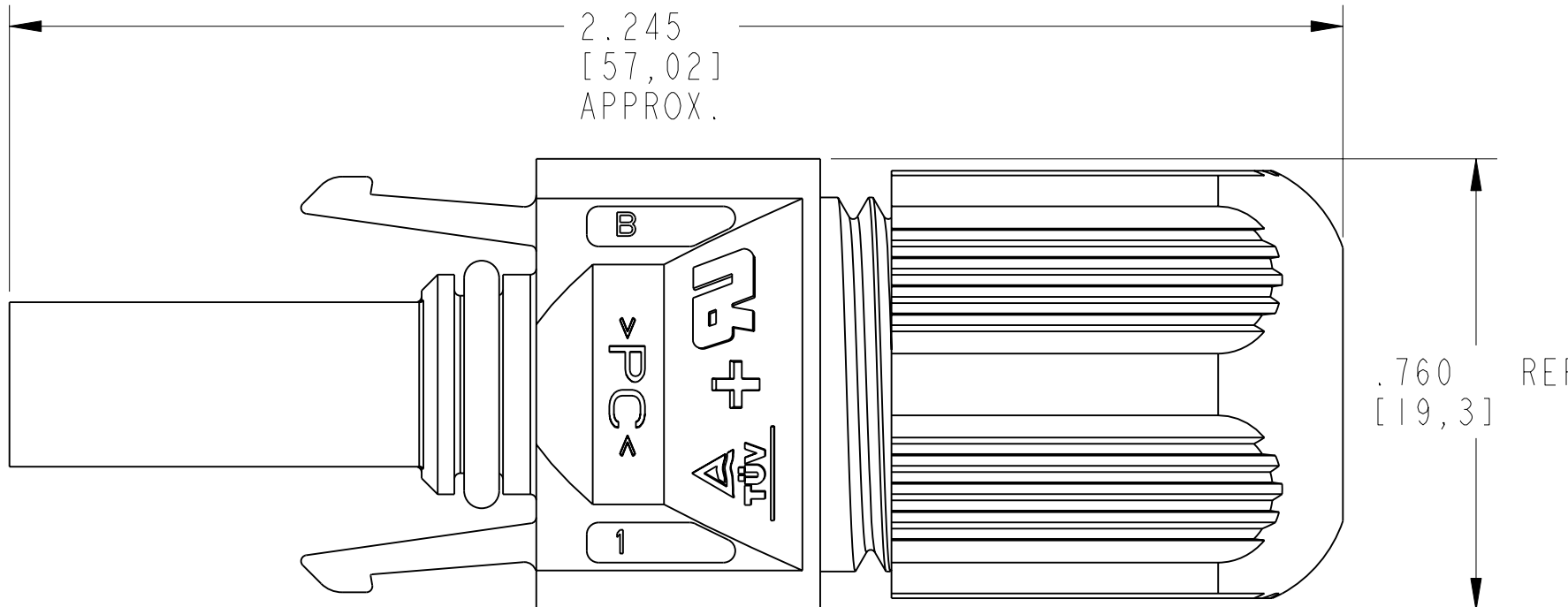
UNLESS OTHERWISE SPECIFIED	SPECIFICATIONS	POS	QTY	PART NUMBER	DESCRIPTION	NOTE																									
	MATERIAL SPEC.	PARTS LIST																													
	N/A	<table border="1"> <tr> <td>APPROVALS</td> <td>DATE</td> <td colspan="3">AMPHENOL CORPORATION</td> </tr> <tr> <td>PREPARED BY HENRY</td> <td>27-Nov-08</td> <td colspan="3">40-60 DELAWARE AVENUE SIDNEY, N.Y. 13838</td> </tr> <tr> <td>ENGINEER IN CHARGE DANIEL LENEZ</td> <td></td> <td colspan="3">H4 MATED PAIR CABLE CONNECTOR</td> </tr> <tr> <td>DESIGN MANAGER DANIEL LENEZ</td> <td></td> <td colspan="3"></td> </tr> <tr> <td>DESIGN ACTIVITY GROUP C&I</td> <td></td> <td colspan="3"></td> </tr> </table>					APPROVALS	DATE	AMPHENOL CORPORATION			PREPARED BY HENRY	27-Nov-08	40-60 DELAWARE AVENUE SIDNEY, N.Y. 13838			ENGINEER IN CHARGE DANIEL LENEZ		H4 MATED PAIR CABLE CONNECTOR			DESIGN MANAGER DANIEL LENEZ					DESIGN ACTIVITY GROUP C&I				
	APPROVALS	DATE	AMPHENOL CORPORATION																												
PREPARED BY HENRY	27-Nov-08	40-60 DELAWARE AVENUE SIDNEY, N.Y. 13838																													
ENGINEER IN CHARGE DANIEL LENEZ		H4 MATED PAIR CABLE CONNECTOR																													
DESIGN MANAGER DANIEL LENEZ																															
DESIGN ACTIVITY GROUP C&I																															
PROCESS SPEC.	THIRD ANGLE PROJECTION																														
N/A	<table border="1"> <tr> <td>SIZE</td> <td>CAGE CODE</td> <td>DOCUMENT NO.</td> <td>REV.</td> </tr> <tr> <td>C</td> <td>77820</td> <td>H4-C TYPE</td> <td>B</td> </tr> </table>					SIZE	CAGE CODE	DOCUMENT NO.	REV.	C	77820	H4-C TYPE	B																		
SIZE	CAGE CODE	DOCUMENT NO.	REV.																												
C	77820	H4-C TYPE	B																												



H4-C TYPE DOCUMENT NO. SHEET 1 OF 2 REV. B

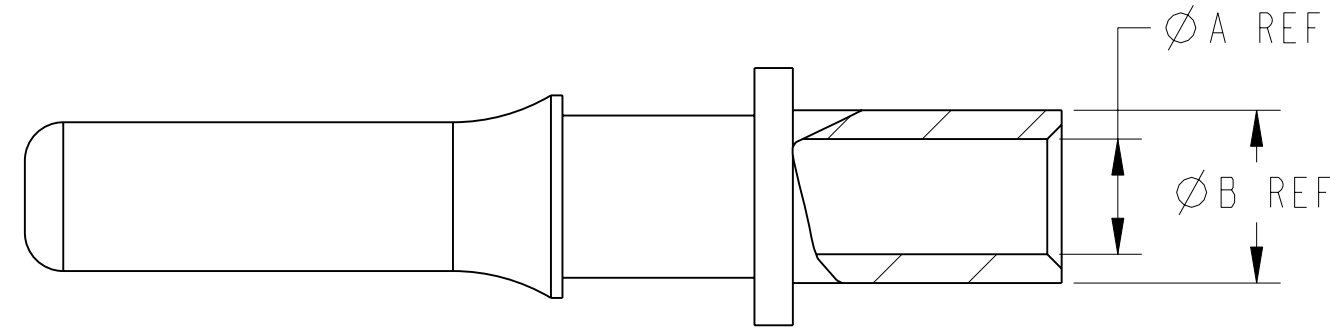
H4-C TYPE DOCUMENT NO. SHEET 1 OF 2 REV. B

DOCUMENT NO. H4-C TYPE
 SHEET 2 OF 2
 REV. B
 C
 B
 A
 FORMAT: C-U-L-E, Rev. B



SECTION A-A
 SCALE 5.000

SOCKET CONTACT



SECTION A-A
 SCALE 5.000

PIN CONTACT

SOCKET CONTACT PART NUMBER	ACCEPT WIRE CONDUCTOR SIZE sq mm (AWG)	"A"	"B"
PV-090507-F03	2.5 (14)	.091	.138
PV-090508-F03	4.0 (12)	.120	.180
PV-090506-F03	6.0 (10)	.148	.236
PV-090510-F03	10.0	.177	.236

PIN CONTACT PART NUMBER	ACCEPT WIRE CONDUCTOR SIZE sq mm (AWG)	"A"	"B"
PV-090508-M25	2.5 (14)	.091	.138
PV-090508-M04	4.0 (12)	.120	.180
PV-090508-M06	6.0 (10)	.148	.236
PV-090508-M10	10.0	.177	.236

CUSTOMER DRAWING

THE USE OF THIS DOCUMENT IS UNLIMITED. HOWEVER, DOCUMENTS REFERENCED HEREON MAY CONTAIN LIMITED RIGHTS DATA.

DOCUMENT NO. H4-C TYPE
 SHEET 2 OF 2
 REV. B