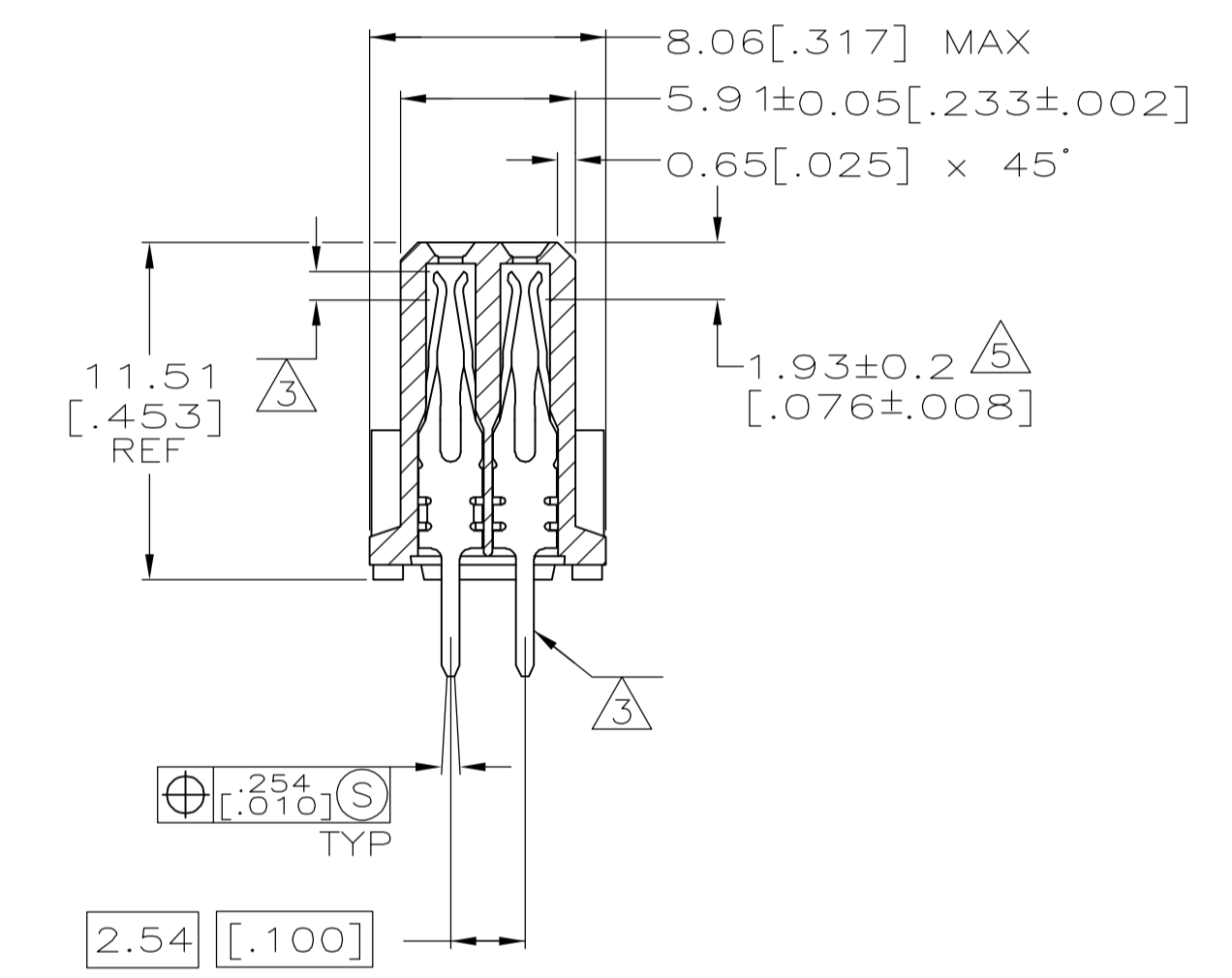
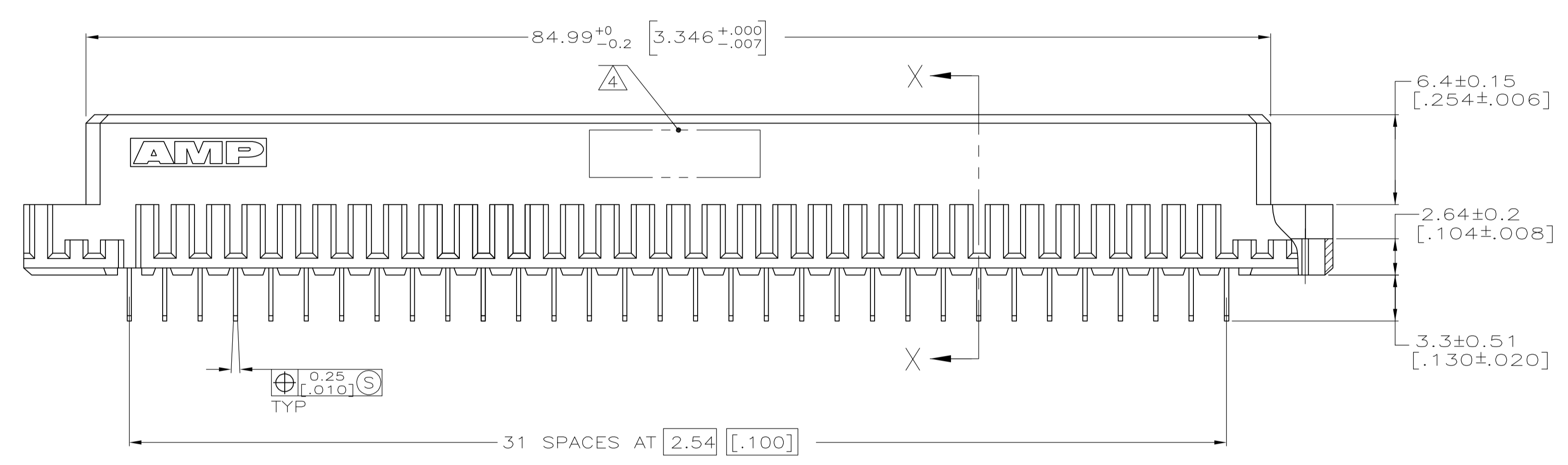
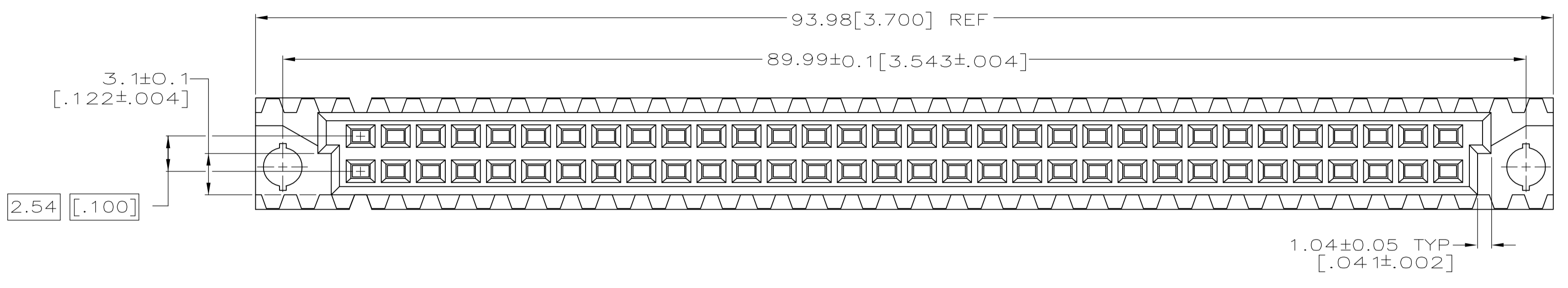
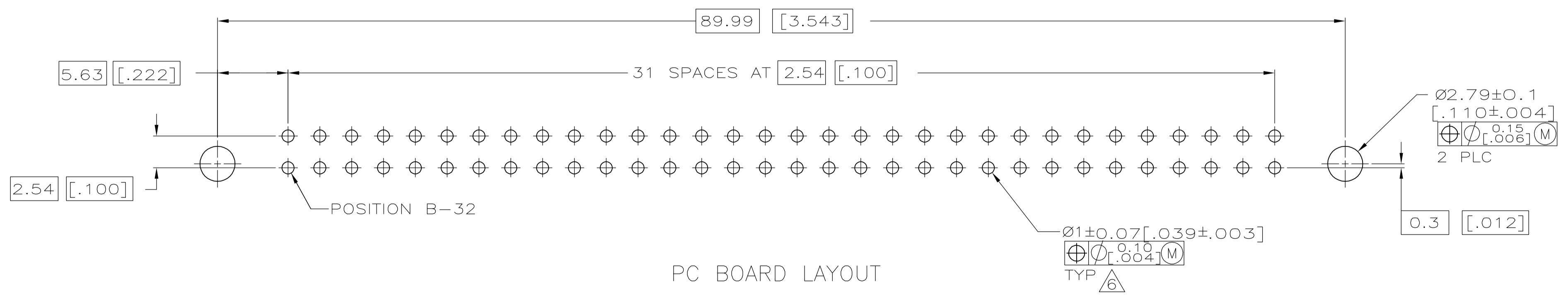
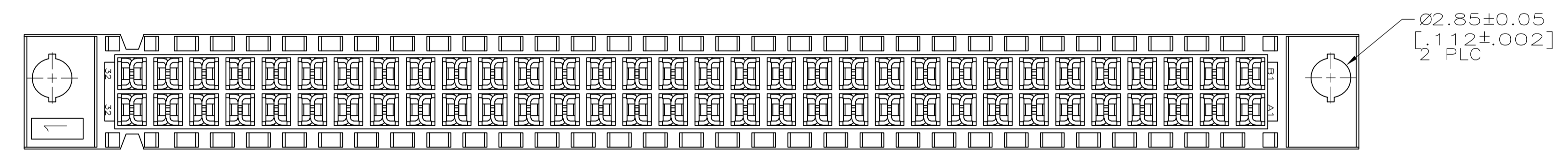


- ① HOUSING MATERIAL: GLASS-FILLED POLYMER.
- ② CONTACT MATERIAL: COPPER ALLOY.
- ③ CONTACT FINISH: DIN 41612 CLASS 2 IN CONTACT AREA. TIN PLATE ON POSTS.
- ④ PART NUMBER, DATE CODE IDENTIFICATION, CSA LOGO IN THIS APPROXIMATE AREA, ON REVERSE SIDE.
- ⑤ CONTACT POINT.
- ⑥ RECOMMENDED HOLE SIZE FOR MANUAL APPLICATION OF CONNECTOR ONTO PC BOARD.



SECTION X-X



PC BOARD LAYOUT

1 THRU 32	X	X	64	5650860-5
POSITIONS LOADED	B	A	NO. OF LOADED POSITIONS	ASSY PART NUMBER
			ROWS LOADED	

THIS DRAWING IS A CONTROLLED DOCUMENT.		DIN J. POLIGNONE 03JUN05	 Tyco Electronics Corporation Harrisburg, Pa 17105-3608
DIMENSIONS: mm [INCHES]		CIK A. SHARPE 03JUN05	
TOLERANCES UNLESS OTHERWISE SPECIFIED:		APVD A. SHARPE 03JUN05	NAME ASSEMBLY, RECEPTACLE, EUROCARD, TYPE B, LEAD-FREE, 64 POSITION, 3.30 [.130] SOLDER POSTS
0 PLC ± -	1 PLC ± -	PRODUCT SPEC	APPLICATION SPEC
2 PLC ± 0.13 [.005]	3 PLC ± -	SIZE A1	SCALE 4:1
4 PLC ± -	ANGLES ± -	WEIGHT -	REV 0
MATERIAL	FINISH	CAGE CODE 00779	DRAWING NO. 5650860
		CUSTOMER DRAWING	SHEET 1 OF 1