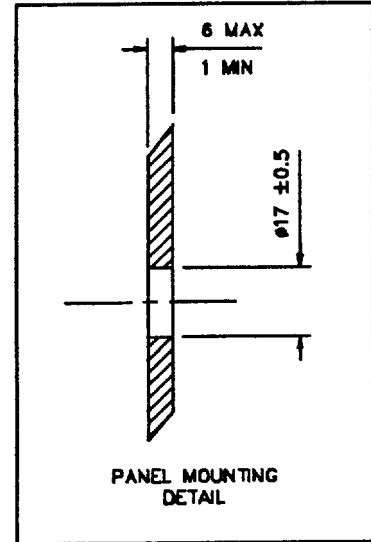
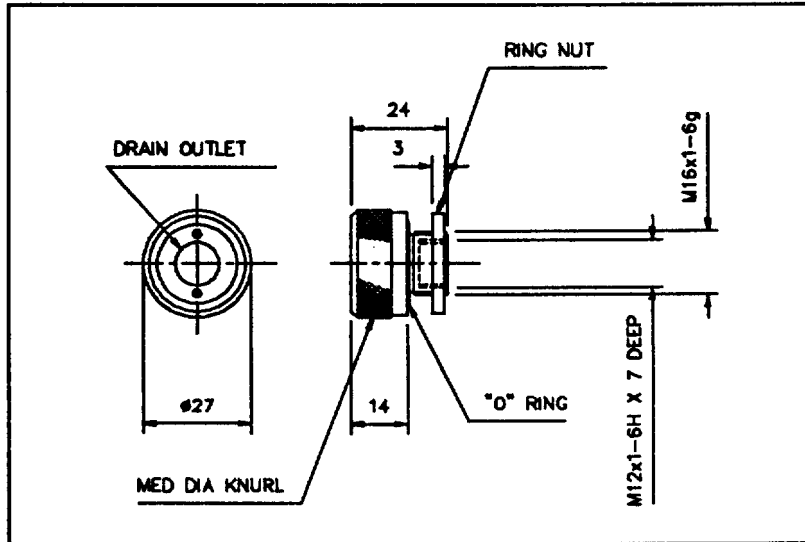


DRAIN PLUG



DESCRIPTION

A drain plug with a filter that prevents condensate accumulation whilst preventing dust, insects, sand and other particles from entering the enclosure.

APPLICATIONS

Ideally suited for preventing the build up of condensed water vapour within an enclosure.

1. Where pneumatic controls are within an enclosure, giving rise to moisture formation due to the expansion from valve exhausts.
2. Also used to facilitate condensate removal in stainless steel and aluminium enclosures.
3. The release of harmful vapours due to outgassing such as during battery charging.

PART NUMBER

BL/D6636/01

MATERIAL

Plastic (Polycarbonate).

COLOUR

Black

OPERATING TEMPERATURE

Maximum 70°C
Minimum -40°C



SPECIFICATION BL/D6636/01 CONTINUED

FILTRATION LEVEL (Nominal)	25 μ
TYPICAL FLOW (AIR)	10 L/min @ 0.25 PSI
TYPICAL FLOW RATE (LIQUID)	30cc/min
ENVIRONMENTAL PROTECTION	Resistant to Alcohols, Esters, weak acids and bases.
TIGHTENING TORQUE	2Nm
PACKAGING	Sealed polythene bag.

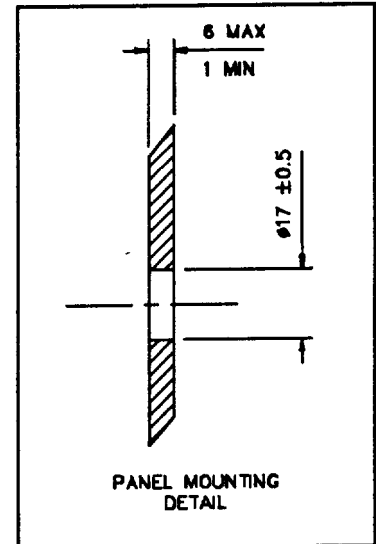
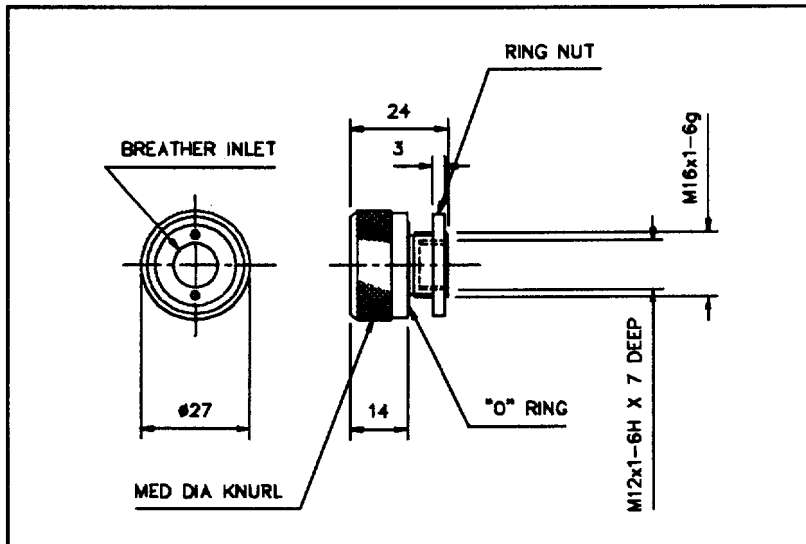
Designed and manufactured by:-

BROWNELL Ltd
HELENA WORKS
MORDAUNT ROAD
LONDON NW10 8PX
Tel 081-965 9281
Fax 081-965 3239

Issue 3 13/12/93



IMMERSION PROOF BREATHER



DESCRIPTION

An immersion proof breather which prevents pressure or vacuum build up in instruments or equipments subject to water spray or immersion.

APPLICATIONS

Ideally suited to equipments or instruments subjected to temperature, altitude or barometric changes. The Immersion Proof Breather protects against distortion or other damage that would normally occur due to such changes.

PART NUMBER

BL/D6343

MATERIAL

Plastic (Polycarbonate).

COLOUR

Black

OPERATING TEMPERATURE

Maximum 75°C
Minimum -40°C

ENVIRONMENTAL PROTECTION
TECHNICAL PERFORMANCE

Resistant to Alcohols, Ethers, Hydrocarbons, weak acids and

Flow rates

10cc/min @ 3.5mm wg
50cc/min @ 11.0mm wg
100cc/min @ 18.5mm wg
150cc/min @ 29.0mm wg



BROWNELL
L I M I T E D

SPECIFICATION BL/D6343 CONTINUED

MAXIMUM APPLICATION VOLUME (Typical)	60 Litres (based on 20°C change)
TIGHTENING TOURQUE	2Nm
PACKAGING	Standard trade pack in clear polythen
MAXIMUM IMMERSION DEPTH	1 metre for 12 hours.
FILTRATION	Protection against dust (0.5µm nomir

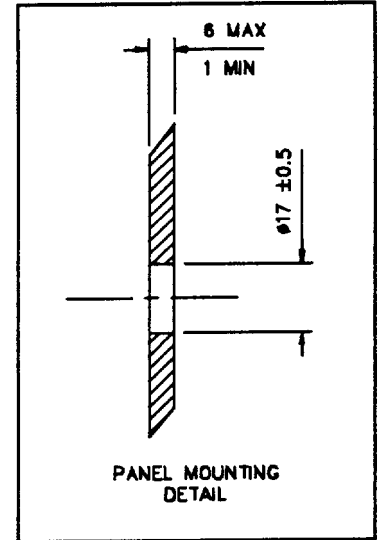
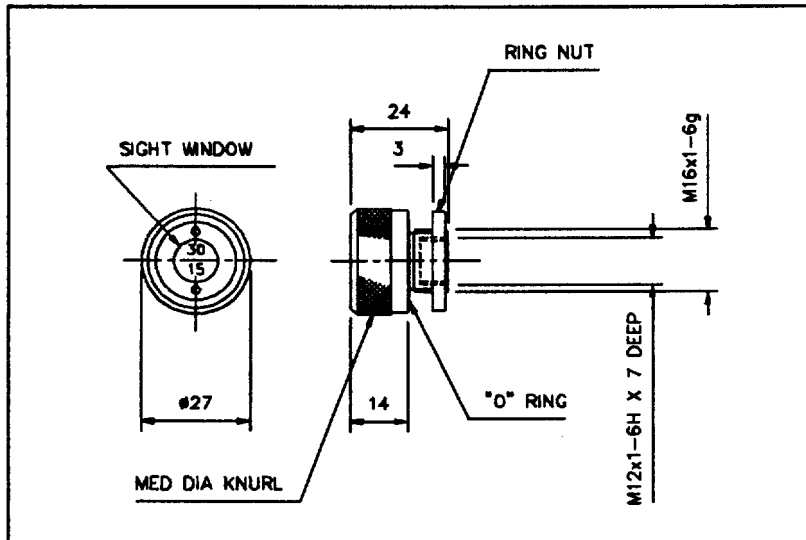
Designed and manufactured by:-

BROWNELL Ltd
HELENA WORKS
MORDAUNT ROAD
LONDON NW10 8PX
Tel 081-965 9281
Fax 081-965 3239

Issue 2 13/12/93



HUMIDITY INDICATOR



DESCRIPTION

A humidity indicator plug to monitor the relative humidity within an equipment or instrument.

APPLICATIONS

Ideally suited for monitoring the relative humidity within an equipment which is protected with a molecular sieve desiccant or an extremely dry gas.

PART NUMBER

BL/D6344/01

MATERIAL

Plastic (Polycarbonate).

COLOUR

Black

HUMIDITY INDICATING LEVEL 15% RH @ 20°C.
30% RH @ 20°C.

OPERATING TEMPERATURE Maximum 70°C
Minimum -40°C

ENVIRONMENTAL PROTECTION Resistant to Alcohols, Ethers, Hydrocarbons, weak acids and



BROWNELL
L I M I T E D

SPECIFICATION BL/D6344/01 CONTINUED

MAXIMUM PRESSURE

1 bar gauge

MAXIMUM VACUUM

500 Torr (-5 PSI)

TIGHTENING TOURQUE

2Nm

PACKAGING

Metal foil laminate with sachet protection
minimum 2 year shelf life..

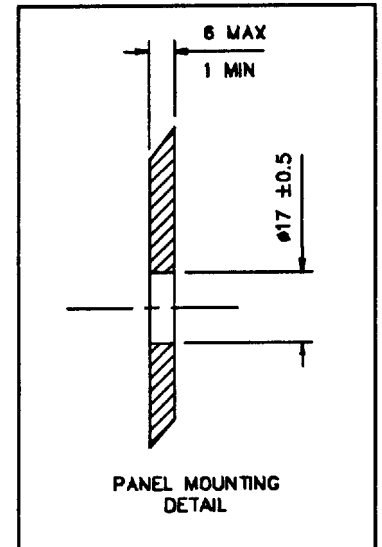
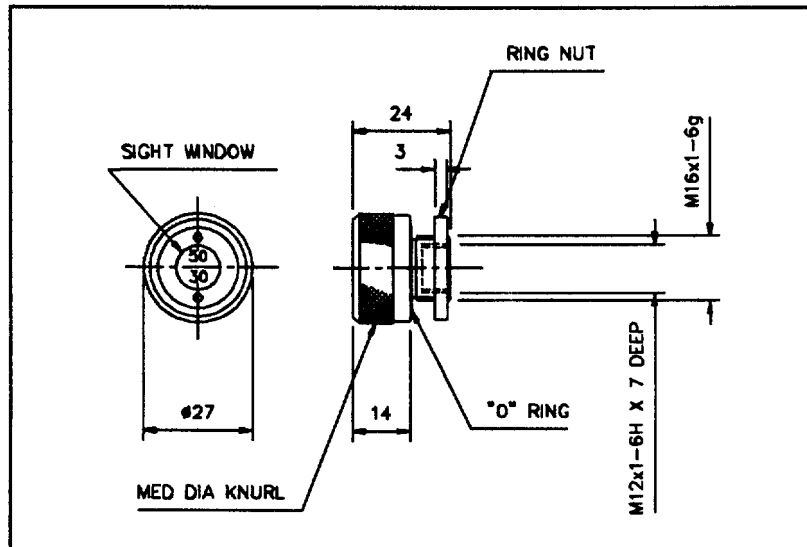
Designed and manufactured by:-

BROWNELL Ltd
HELENA WORKS
MORDAUNT ROAD
LONDON NW10 8PX
Tel 081-965 9281
Fax 081-965 3239

Issue 2 13/12/93



HUMIDITY INDICATOR



DESCRIPTION

A humidity indicator plug to monitor the relative humidity within an equipment or instrument.

APPLICATIONS

Ideally suited for monitoring the relative humidity within an equipment which is protected with a silica gel desiccant.

PART NUMBER

BL/D6344/02

MATERIAL

Plastic (Polycarbonate).

COLOUR

Black

HUMIDITY INDICATING LEVEL 30% RH @ 20°C.
50% RH @ 20°C.

OPERATING TEMPERATURE Maximum 70°C
Minimum -40°C

ENVIRONMENTAL PROTECTION Resistant to Alcohols, Ethers, Hydrocarbons, weak acids and



BROWNELL
L I M I T E D

SPECIFICATION BL/D6344/02 CONTINUED

MAXIMUM PRESSURE	1 bar gauge
MAXIMUM VACUUM	500 Torr (-5 PSI)
TIGHTENING TOURQUE	2Nm
PACKAGING	Metal foil laminate with sachet protection minimum 2 year shelf life..

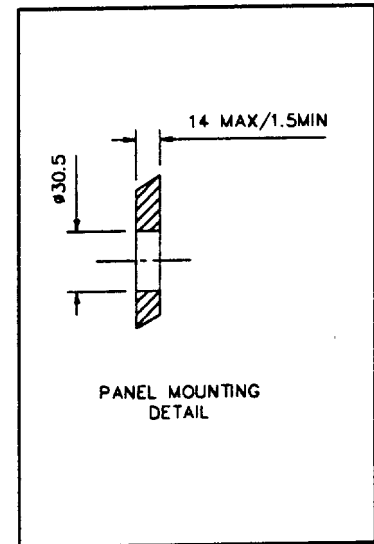
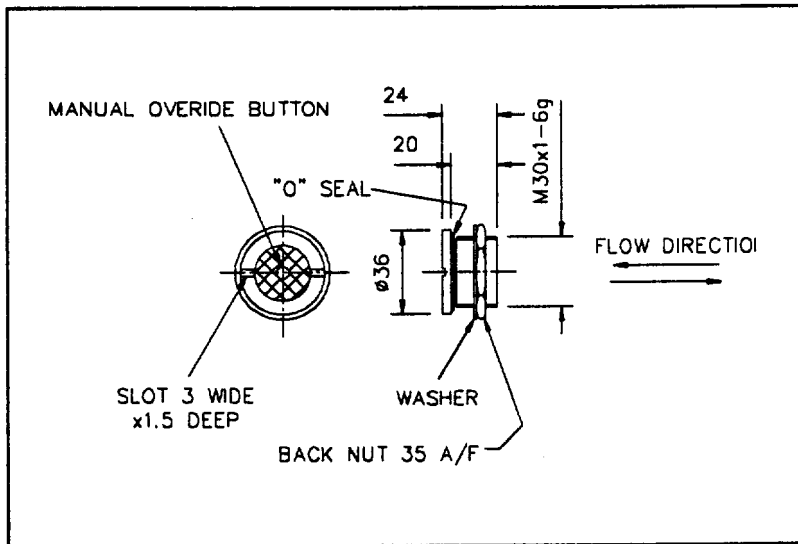
Designed and manufactured by:-

BROWNELL Ltd
HELENA WORKS
MORDAUNT ROAD
LONDON NW10 8PX
Tel 081-965 9281
Fax 081-965 3239

Issue 2 13/12/93



DOUBLE DIFFERENTIAL RELIEF VALVE



DESCRIPTION

A double differential relief valve for protecting enclosures from imbalance of internal and external pressure.

APPLICATIONS

For the protection of sealed enclosures that would otherwise be subjected to damage due to differential pressure within and without. Typical applications are in airborne equipment, air cargo containers and other equipment subject to altitude or temperature change.

A manual override facility enables any pressure or vacuum imbalance to be equalised before enclosure entry or cover plate removal,

HUMIDITY

5 - 90% non condensing

PART NUMBER

BL/D6637/01

MATERIAL

Plastic (Polycarbonate).
and stainless steel

COLOUR

Black



BROWNELL
L I M I T E D

SPECIFICATION BL/D6637/01 CONTINUED

OPERATING TEMPERATURE	Maximum 70°C Minimum -40°C
OPENING PRESSURE	Outward 1 PSI Inward 1 PSI
ENVIRONMENTAL PROTECTION	Resistant to Alcohols, Esters, weak acids and bases.
NOMINAL FLOW RATE	200 L/min at 0.5 PSI above opening pressure.
LEAK RATE	Less than 1cc per hour.
TIGHTENING TORQUE	5Nm
PACKAGING	Sealed polythene bag.

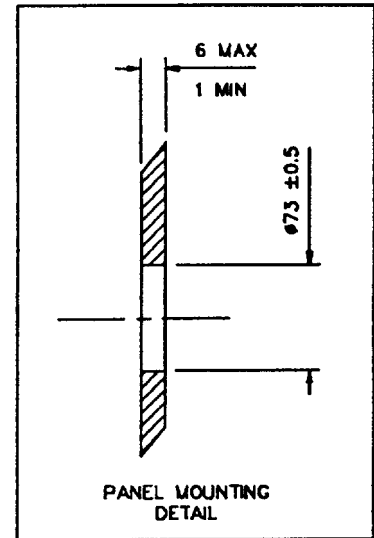
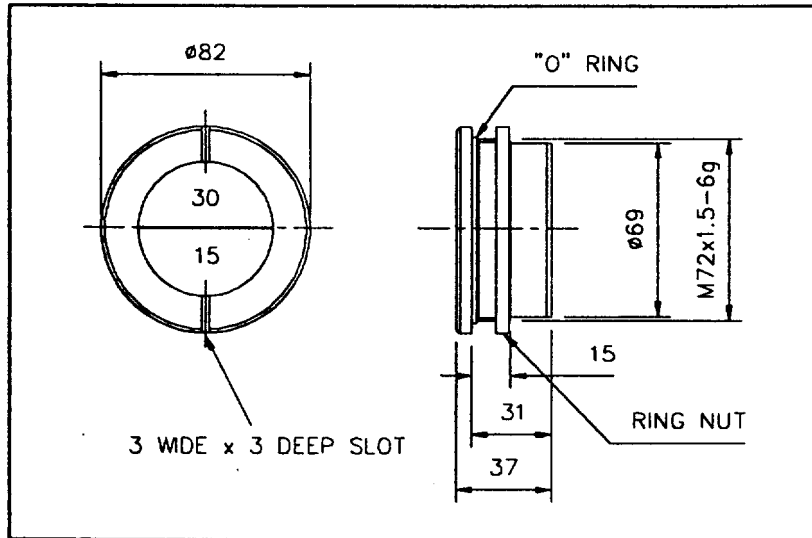
Designed and manufactured by:-

BROWNELL Ltd
HELENA WORKS
MORDAUNT ROAD
LONDON NW10 8PX
Tel 081-965 9281
Fax 081-965 3239

Issue 1 21/10/93



PANEL MOUNTING INDICATING DESICCATOR MOLECULAR SIEVES



DESCRIPTION

A range of Panel Mounting Desiccators for protection against corrosion, dampness and contamination in optical, electro-optical and high voltage equipment.

APPLICATIONS

Ideally suited to prevent damage or malfunction in equipments subject to humidity and temperature variations. A powerful adsorbing agent reduces and adsorbs ingressed or inbuilt moisture to acceptable levels. A humidity indicator monitors desiccant condition. Molecular sieves adsorbing agent maintains an ultra low relative humidity for extremely moisture sensitive applications.

PART NUMBER	BL/D6342/02
MATERIAL	Plastic (Polycarbonate).
COLOUR	Black
OPERATING TEMPERATURE	Maximum 110°C Minimum -50°C
ENVIRONMENTAL PROTECTION	Resistant to Alcohols, Ethers, Hydrocarbons, weak acids and bases.
DESICCANT CONTENT	50 grammes Nominal



BROWNELL
L I M I T E D

SPECIFICATION BL/D6342/02 CONTINUED

APPLICATION VOLUME (Typical)

Example 1

Enclosure specification IP67

50 Litres approximate life 5 to 8 months.

Example 2

Enclosure specification IP55

50 Litres approximate life 2 to 5 months.

REACTIVATION

Not possible.

MAXIMUM PRESSURE

1 bar gauge

MAXIMUM VACUUM

500 Torr (-5 PSI)

MAXIMUM LEAK RATE

1×10^{-2} cc/sec

HUMIDITY INDICATING LEVEL

15% RH @ 20°C.

30% RH @ 20°C.

TIGHTENING TOURQUE

2Nm

PACKAGING

Metal foil laminate with sachet protection for a minimum 2 year shelf life.

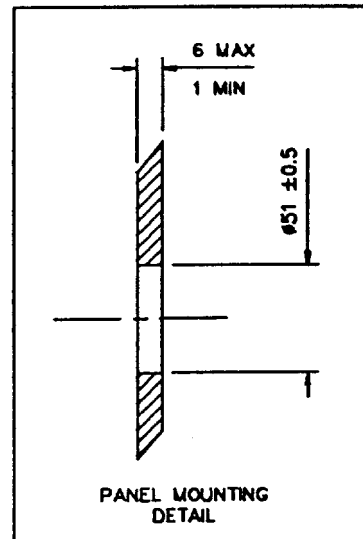
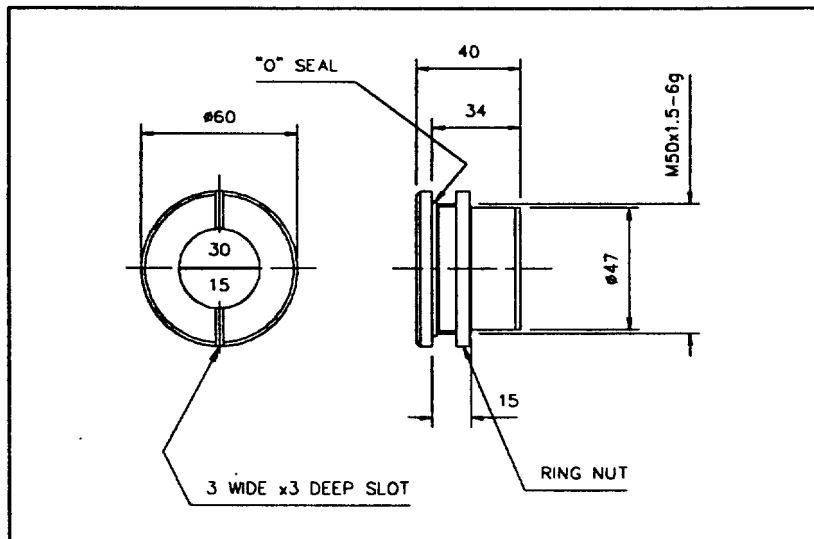
Designed and manufactured by :-

BROWNELL Ltd
HELENA WORKS
MORDAUNT ROAD
LONDON NW10 8PX
Tel 081-965 9281
Fax 081-965 3239

Issue 1 9/4/93



PANEL MOUNTING INDICATING DESICCATOR MOLECULAR SIEVES



DESCRIPTION

A range of Panel Mounting Desiccators for protection against corrosion, dampness and contamination in optical, electro-optical and high voltage equipment.

APPLICATIONS

Ideally suited to prevent damage or malfunction in equipments subject to humidity and temperature variations. A powerful adsorbing agent reduces and adsorbs ingressed or inbuilt moisture to acceptable levels. A humidity indicator monitors desiccant condition. Molecular sieves adsorbing agent maintains an ultra low relative humidity for extremely moisture sensitive applications.

PART NUMBER

BL/D6342/04

MATERIAL

Plastic (Polycarbonate).

COLOUR

Black

OPERATING TEMPERATURE

Maximum 110°C
Minimum -50°C

ENVIRONMENTAL PROTECTION

Resistant to Alcohols, Ethers, Hydrocarbons, weak acids and bases.

DESICCANT CONTENT

30 grammes Nominal



BROWNELL
L I M I T E D

SPECIFICATION BL/D6342/04 CONTINUED

APPLICATION VOLUME (Typical)

Example 1

Enclosure specification IP67

30 Litres approximate life 5 to 8 months.

Example 2

Enclosure specification IP55

30 Litres approximate life 2 to 5 months.

REACTIVATION

Not possible.

MAXIMUM PRESSURE

1 bar gauge

MAXIMUM VACUUM

500 Torr (-5 PSI)

MAXIMUM LEAK RATE

1×10^{-2} cc/sec

HUMIDITY INDICATING LEVEL

15% RH @ 20°C.

30% RH @ 20°C.

TIGHTENING TOURQUE

2Nm

PACKAGING

Metal foil laminate with sachet protection for a minimum 2 year shelf life.

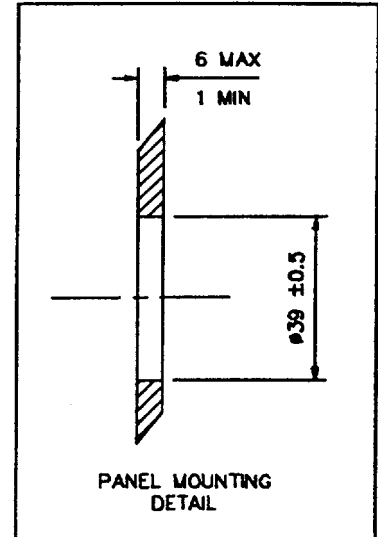
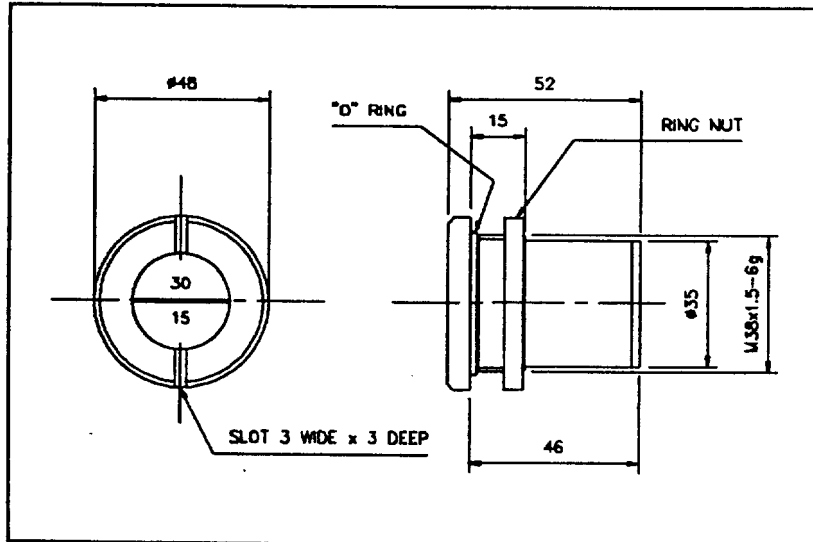
Designed and manufactured by:-

BROWNELL Ltd
HELENA WORKS
MORDAUNT ROAD
LONDON NW10 8PX
Tel 081-965 9281
Fax 081-965 3239

Issue 1 9/4/93



**PANEL MOUNTING INDICATING DESICCATOR
MOLECULAR SIEVES**



DESCRIPTION

A range of Panel Mounting Desiccators for protection against corrosion, dampness and contamination in optical, electro-optical and high voltage equipment.

APPLICATIONS

Ideally suited to prevent damage or malfunction in equipments subject to humidity and temperature variations. A powerful adsorbing agent reduces and adsorbs ingressed or inbuilt moisture to acceptable levels. A humidity indicator monitors desiccant condition. Molecular sieves adsorbing agent maintains an ultra low relative humidity for extremely moisture sensitive applications.

PART NUMBER

BL/D6342/06

MATERIAL

Plastic (Polycarbonate).

COLOUR

Black

OPERATING TEMPERATURE

Maximum 110°C
Minimum -50°C

ENVIRONMENTAL PROTECTION

Resistant to Alcohols, Ethers, Hydrocarbons, weak acids and bases.

DESICCANT CONTENT

10 grammes Nominal



BROWNELL
L I M I T E D

SPECIFICATION BL/D6342/06 CONTINUED

APPLICATION VOLUME (Typical)

Example 1

Enclosure specification IP67

10 Litres approximate life 5 to 8 months.

Example 2

Enclosure specification IP55

10 Litres approximate life 2 to 5 months.

REACTIVATION

Not possible.

MAXIMUM PRESSURE

1 bar gauge

MAXIMUM VACUUM

500 Torr (-5 PSI)

MAXIMUM LEAK RATE

1×10^{-2} cc/sec

HUMIDITY INDICATING LEVEL

15% RH @ 20°C.

30% RH @ 20°C.

TIGHTENING TOURQUE

2Nm

PACKAGING

Metal foil laminate with sachet protection for a minimum 2 year shelf life.

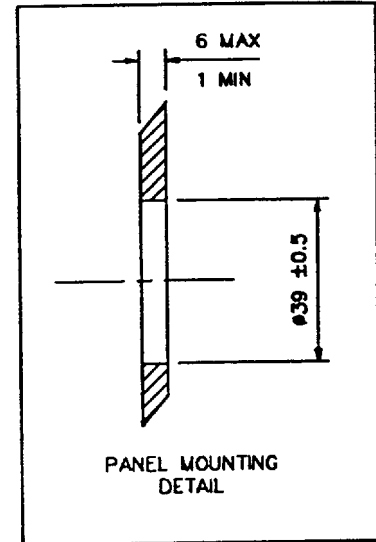
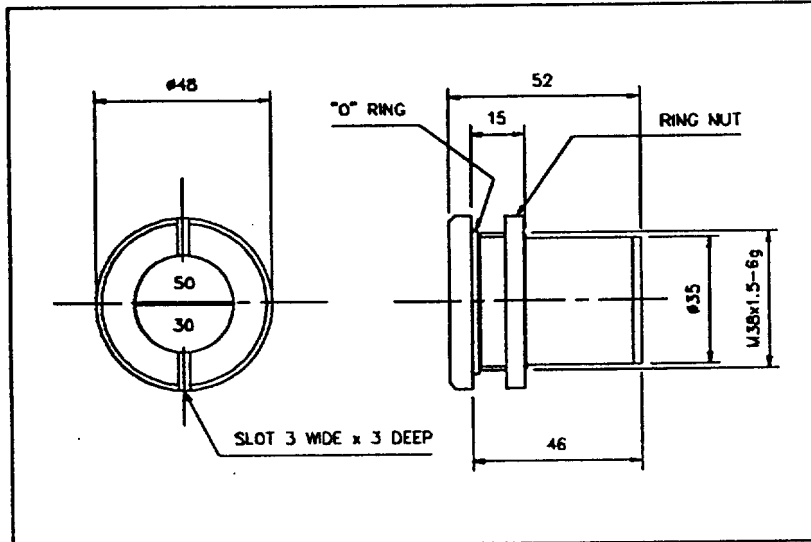
Designed and manufactured by:-

BROWNELL Ltd
HELENA WORKS
MORDAUNT ROAD
LONDON NW10 8PX
Tel 081-965 9281
Fax 081-965 3239

Issue 1 9/4/93



PANEL MOUNTING INDICATING DESICCATOR SILICA GEL



DESCRIPTION

A range of Panel Mounting Desiccators for protection against corrosion, dampness and contamination in electronic, telecommunications and computer equipment.

APPLICATIONS

Ideally suited to prevent damage or malfunction in equipments subject to humidity and temperature variations. A powerful adsorbing agent reduces and adsorbs ingressed or inbuilt moisture to acceptable levels. A humidity indicator monitors saturation and indicates when reactivation is required.

PART NUMBER

BL/D6342/05

MATERIAL

Plastic (Polycarbonate).

COLOUR

Black

OPERATING TEMPERATURE

Maximum 70°C

Minimum -40°C

Reactivation only 120°C

ENVIRONMENTAL PROTECTION

Resistant to Alcohols, Ethers, Hydrocarbons, weak acids and bases.

DESICCANT CONTENT

10 grammes Nominal



BROWNELL
L I M I T E D

SPECIFICATION BL/D6342/05 CONTINUED

APPLICATION VOLUME (Typical)

Example 1

Enclosure specification IP67

10 Litres approximate life 6 to 9 months.

Example 2

Enclosure specification IP55

10 Litres approximate life 3 to 6 months.

REACTIVATION

4 hours in a ventilated oven at 120°C.

Caution! allow to cool in a sealed container.

MAXIMUM PRESSURE

1 bar gauge

MAXIMUM VACUUM

500 Torr (-5 PSI)

MAXIMUM LEAK RATE

1×10^{-2} cc/sec

HUMIDITY INDICATING LEVEL

30% RH @ 20°C.

50% RH @ 20°C.

TIGHTENING TOURQUE

2Nm

PACKAGING

Metal foil laminate with sachet protection for a minimum 2 year shelf life.

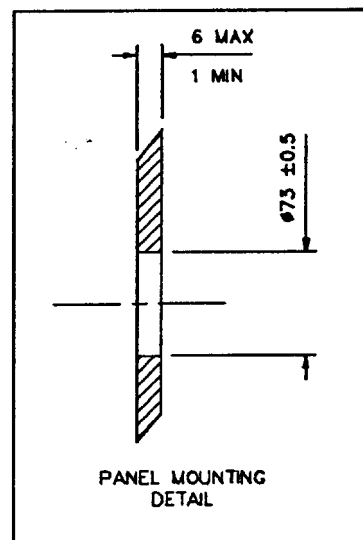
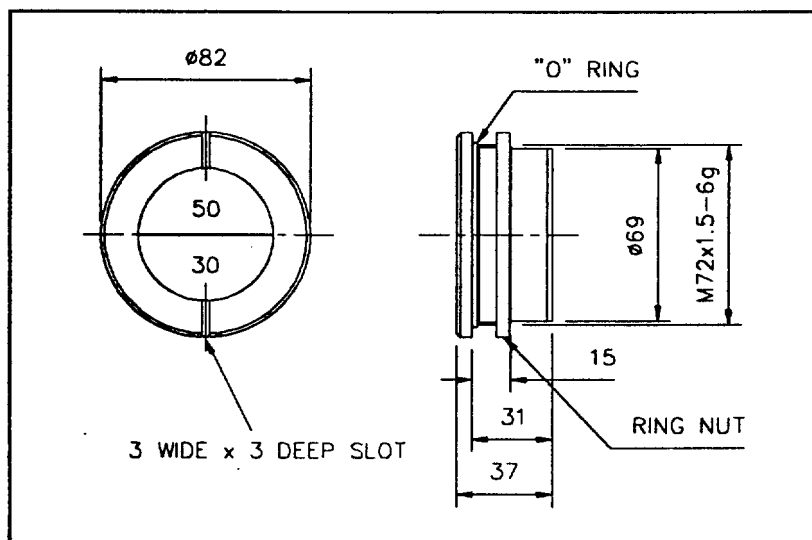
Designed and manufactured by:-

BROWNELL Ltd
HELENA WORKS
MORDAUNT ROAD
LONDON NW10 8PX
Tel 081-965 9281
Fax 081-965 3239

Issue 1 9/4/93



PANEL MOUNTING INDICATING DESICCATOR SILICA GEL



DESCRIPTION

A range of Panel Mounting Desiccators for protection against corrosion, dampness and contamination in electronic, telecommunications and computer equipment.

APPLICATIONS

Ideally suited to prevent damage or malfunction in equipments subject to humidity and temperature variations. A powerful adsorbing agent reduces and adsorbs ingressed or inbuilt moisture to acceptable levels. A humidity indicator monitors saturation and indicates when reactivation is required.

PART NUMBER	BL/D6342/01
MATERIAL	Plastic (Polycarbonate).
COLOUR	Black
OPERATING TEMPERATURE	Maximum 70°C Minimum -40°C Reactivation only 120°C
ENVIRONMENTAL PROTECTION	Resistant to Alcohols, Ethers, Hydrocarbons, weak acids and bases.
DESICCANT CONTENT	50 grammes Nominal



APPLICATION VOLUME (Typical)

Example 1

Enclosure specification IP67

50 Litres approximate life 6 to 9 months.

Example 2

Enclosure specification IP55

50 Litres approximate life 3 to 6 months.

REACTIVATION

4 hours in a ventilated oven at 120°C.

Caution! allow to cool in a sealed container.

MAXIMUM PRESSURE

1 bar gauge

MAXIMUM VACUUM

500 Torr (-5 PSI)

MAXIMUM LEAK RATE

1×10^{-2} cc/sec

HUMIDITY INDICATING LEVEL

30% RH @ 20°C.

50% RH @ 20°C.

TIGHTENING TOURQUE

2Nm

PACKAGING

Metal foil laminate with sachet protection for a minimum 2 year shelf life.

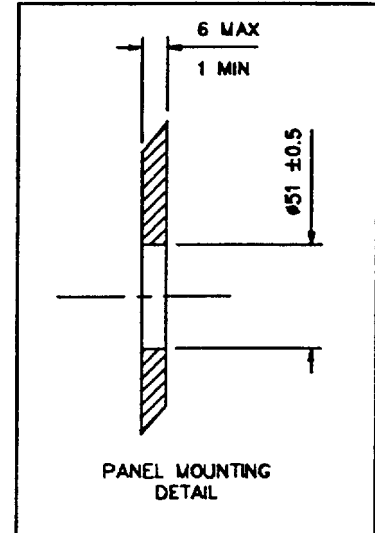
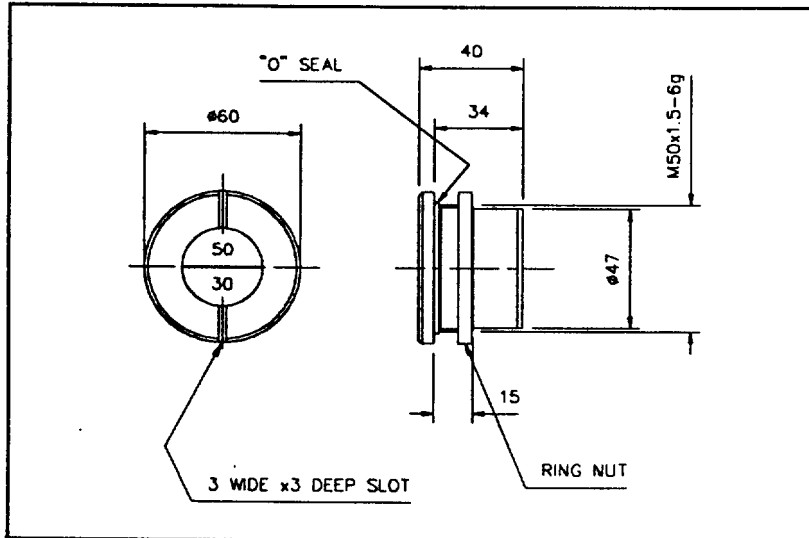
Designed and manufactured by:-

BROWNELL Ltd
HELENA WORKS
MORDAUNT ROAD
LONDON NW10 8PX
Tel 081-965 9281
Fax 081-965 3239

Issue 1 9.4/93



PANEL MOUNTING INDICATING DESICCATOR SILICA GEL



DESCRIPTION

A range of Panel Mounting Desiccators for protection against corrosion, dampness and contamination in electronic, telecommunications and computer equipment.

APPLICATIONS

Ideally suited to prevent damage or malfunction in equipments subject to humidity and temperature variations. A powerful adsorbing agent reduces and adsorbs ingressed or inbuilt moisture to acceptable levels. A humidity indicator monitors saturation and indicates when reactivation is required.

PART NUMBER	BL/D6342/03
MATERIAL	Plastic (Polycarbonate).
COLOUR	Black
OPERATING TEMPERATURE	Maximum 70°C Minimum -40°C Reactivation only 120°C
ENVIRONMENTAL PROTECTION	Resistant to Alcohols, Ethers, Hydrocarbons, weak acids and bases.
DESICCANT CONTENT	30 grammes Nominal



BROWNELL
L I M I T E D

SPECIFICATION BL/D6342/03 CONTINUED

APPLICATION VOLUME (Typical)

Example 1

Enclosure specification IP67

30 Litres approximate life 6 to 9 months.

Example 2

Enclosure specification IP55

30 Litres approximate life 3 to 6 months.

REACTIVATION

4 hours in a ventilated oven at 120°C.

Caution! allow to cool in a sealed container.

MAXIMUM PRESSURE

1 bar gauge

MAXIMUM VACUUM

500 Torr (-5 PSI)

MAXIMUM LEAK RATE

1×10^{-2} cc/sec

HUMIDITY INDICATING LEVEL

30% RH @ 20°C.

50% RH @ 20°C.

TIGHTENING TOURQUE

2Nm

PACKAGING

Metal foil laminate with sachet protection for a minimum 2 year shelf life.

Designed and manufactured by:-

BROWNELL Ltd
HELENA WORKS
MORDAUNT ROAD
LONDON NW10 8PX
Tel 081-965 9281
Fax 081-965 3239

Issue 1 9/4/93