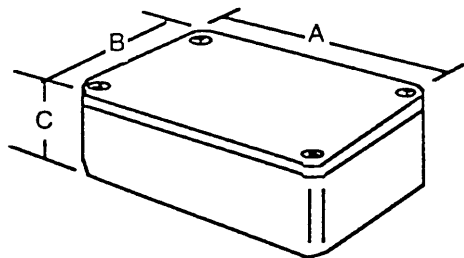


SMALL MULTIPURPOSE BOX WITH LID

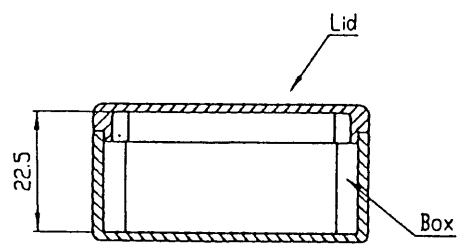
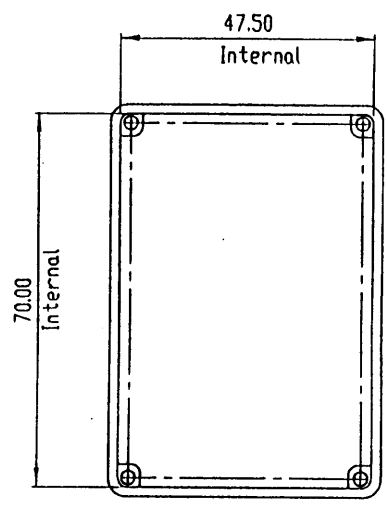
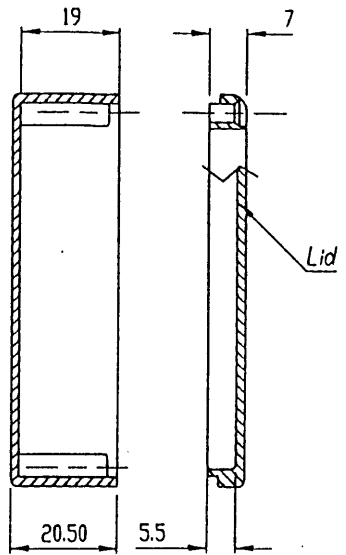
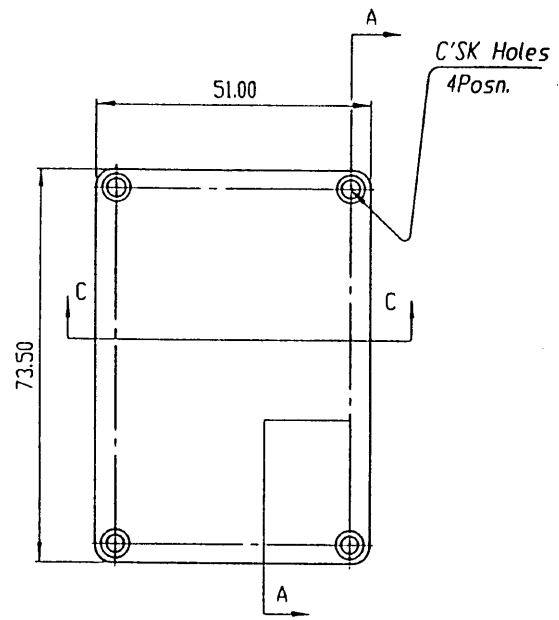
These boxes are moulded in ABS to give maximum strength but can be easily punched or drilled for individual requirements and to produce a professional looking end product. They are available in black or white with a MATT finish as standard. Other colours may be available on request should you require to add that individual touch to your products.



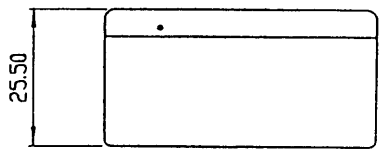
Part No.	Overall Dimensions mm			Nominal Wall Thickness
	A	B	C	
HBT3	73.5	51	25.5	1.75
HBT3W	73.5	51	25.5	1.75

Lid retained by countersunk self tapping screws.

Section on A-A



Section on C-C
Box & lid



DRAWN A.K		USED ON:		GENERAL TOLERANCES UNLESS OTHERWISE STATED		HOLE SIZES		MATL: ABS		BCL DISTRIBUTION Hornbeam Park, Hookstone Road, Harrogate, North Yorkshire, HG2 8QT				
SURFACE TEXTURE Fine spark		200 TO 500		±		UP TO 70		± 0.1		TITLE MOULDED BOX & LID		DRAWING No. HBT3		
ISS. DATE 23.03.96		MOD No.		500		70		± 0.1		General Purpose Grade 103		SHEET 1 OF 1 SHEETS		
CHECKED K.A										X X				
								SCALE: 1:1		BASED ON:				
								STAMP PART No. WHERE SHOWN.						