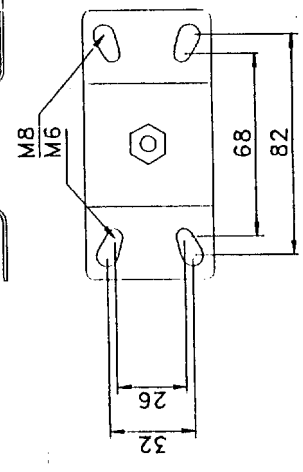
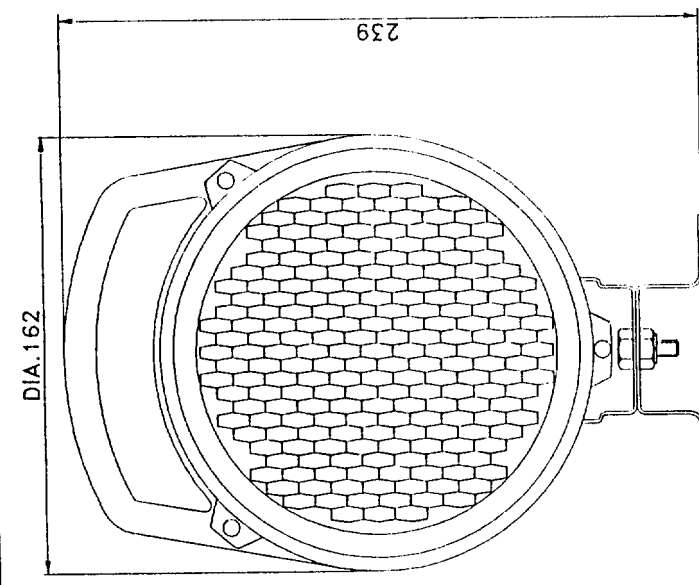
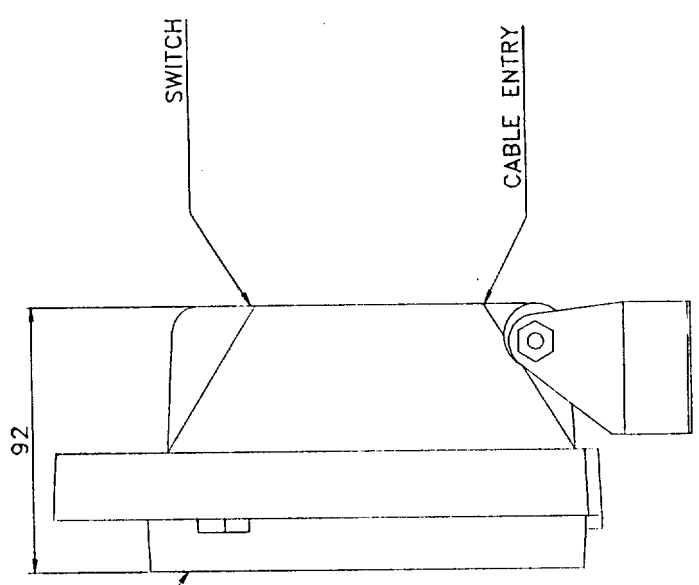


551-090



TECHNICAL SPECIFICATION	
CONSTRUCTION	BODY - POLYPROPYLENE LENS - POLYCARBONATE
BEAM PATTERN	30mtr Min. 7mtr Min. 15mtr Min.
REACH HEIGHT WIDTH	
VOLTAGE CURRENT CONSUMPTION BULB TYPE SPARE BULB RECOMMENDED FUSE MINIMUM CABLE SIZE	12V 4.6A H3 55W 950.005 8A <sup>2</sup> 1mm

**APPLICATION**

ADJUSTABLE GENERAL PURPOSE WORKLAMP,  
WITH INTEGRAL ON-OFF ROCKER SWITCH.  
IDEALLY SUITED FOR VEHICLE RECOVERY WORK.

MOD No.	STATUS	ISS	DATE
M1016	PRODUCTION RELEASE A		04-07-94
MATERIAL		FINISH	
SPECIFICATION		SPECIFICATION	
TOOL No.		3rd ANGLE PROJECTION DIMENSIONS IN MILLIMETRES DO NOT SCALE	
DRAWN		R L WELDON	
DATE		30-06-94	
CHECKED			
TITLE		WORKLAMP-OUTLINE	
PART No.		100.006	A3
			SCALE 1:2



© VISION ALERT AUTOMOTIVE LIMITED

Osbalwick Ind. Est. Oulgang Lane Osbalwick York. YO1 3UX North Yorks.  
Telephone : 01904 415000 Fax : 01904 430059