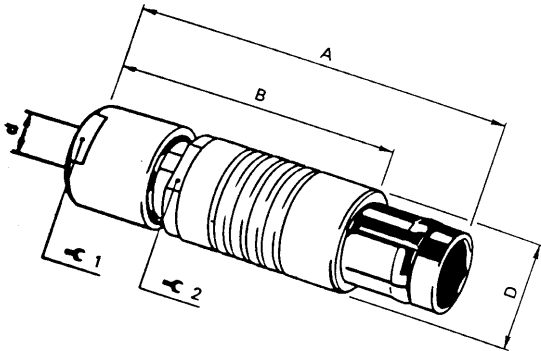


964-967 / 992
to

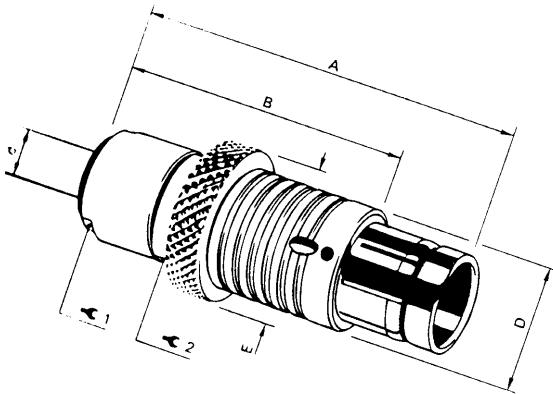
- S Straight plug
- SE Sealed plug



Series	A	B	D	d max		Y ₁	Y ₂
				S	SE		
102	36	26	9	4.7	4.3	7	7
103	46	35	12	6.7	6.2	10	10
1031	48	38	13	6.7	6.2	12	11
104	50	38	15	8.7	8.7	12	13
105	62	47	18	10.7	10.7	15	16
106	80	55	28	19.2	19.2	22	
107	110	85	34	22.7	22.7	32	32

Dimensions are valid for coaxial and multipole plugs as well as for multipole high voltage plugs. Coaxial high voltage connectors and such with mixed contacts see under «High Voltage Connectors» in section C.

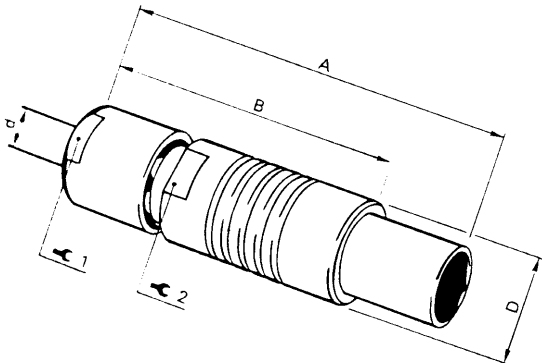
- SV Tamper-proof plug
- SVE Sealed tamper-proof plug



A threaded ring with a screw lock prevents unauthorized or unintentional disengagement.

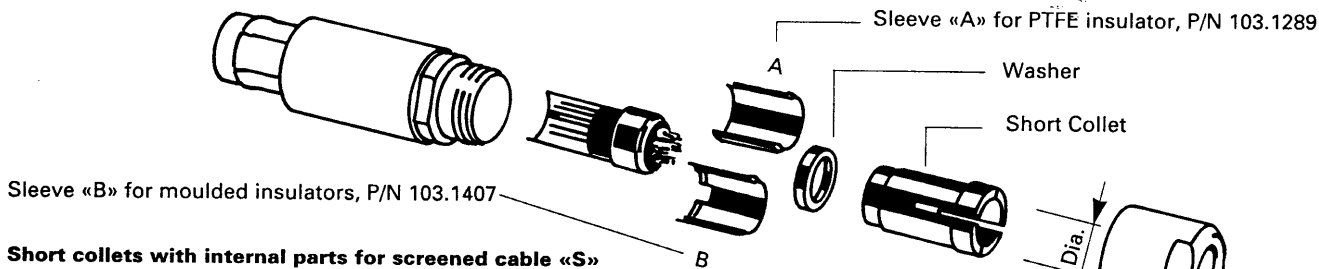
Series	A	B	D	E	d max		Y ₁	Y ₂
					SV	SVE		
102	36	26	9	11	4.7	4.3	7	7
103	46	35	12	13	6.7	6.2	10	10
1031								
104	50	38	15	20	8.7	8.7	12	13
105	62	47	18	22	10.7	10.7	15	16
106	80	55	30	35	19.2	19.2	22	
107	110	85	34	38	22.7	22.7	32	32

- SOV Non-latching plug
- SOVE Sealed non-latching plug



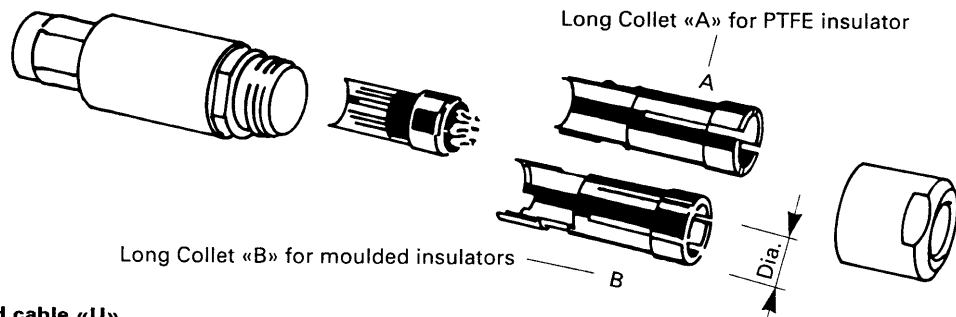
Series	A	B	D	d max		Y ₁	Y ₂
				SOV	SOVE		
102	36	26	9	4.7	4.3	7	7
103	46	35	12	6.7	6.2	10	10
1031	48	38	13	6.7	6.2	12	11
104	50	38	15	8.7	8.7	12	13
105	62	47	18	10.7	10.7	15	16
106							
107							

CABLE CLAMP ASSEMBLIES 103 SERIES



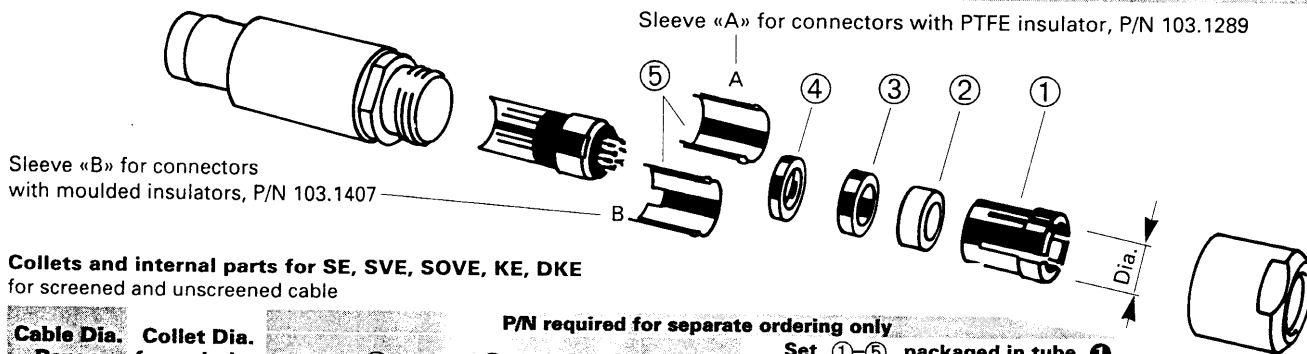
Short collets with internal parts for screened cable «S»
for connector styles S, SV, SOV, K, DK

Cable Dia. Range	Collet Dia. for ordering	P/N for Packaged Set (only for separate ordering) ①	
		with Sleeve «A»	with Sleeve «B»
2.2-2.7	2.2	E31 103.1/2.2 + A	E31 103.1/2.2 + B
2.7-3.2	2.7	E31 103.1/2.7 + A	E31 103.1/2.7 + B
3.2-3.7	3.2	E31 103.1/3.2 + A	E31 103.1/3.2 + B
3.7-4.2	3.7	E31 103.1/3.7 + A	E31 103.1/3.7 + B
4.2-4.7	4.2	E31 103.1/4.2 + A	E31 103.1/4.2 + B
4.7-5.2	4.7	E31 103.1/4.7 + A	E31 103.1/4.7 + B
5.2-5.7	5.2	E31 103.1/5.2 + A	E31 103.1/5.2 + B
5.7-6.2	5.7	E31 103.1/5.7 + A	E31 103.1/5.7 + B
6.2-6.7	6.2	E31 103.1/6.2 + A	E31 103.1/6.2 + B
	6.7	E31 103.1/6.7 + A	E31 103.1/6.7 + B



Long collets for unscreened cable «U»
for connector styles S, SV, SOV, K, DK

Cable Dia. Range	Collet Dia. for ordering	P/N for Packaged Collet (only for separate ordering) ①	
		Collet «A»	Collet «B»
2.2-3.2	3.2	103.252	103.1414
3.2-4.2	4.2	103.254	103.1413
4.2-4.7	4.7	103.253	103.1412
4.7-5.2	5.2	103.238	103.1411
5.2-5.7	5.7	103.251	103.1410
5.7-6.2	6.2	103.250	103.1409
6.2-6.7	6.7	103.259	103.1408



Collets and internal parts for SE, SVE, SOVE, KE, DKE
for screened and unscreened cable

Cable Dia. Range	Collet Dia. for ordering	P/N required for separate ordering only					Set ①-⑤ packaged in tube ①	
		Collet ①	Seal ②	Washer ③	Ring ④	with Sleeve «A»	with Sleeve «B»	
1.7-2.2	2.2	E32 103.2/2.2	103.1536	103.1535	103.1256	E31 103.2/2.2 + A	E31 103.2/2.2 + B	
2.2-2.7	2.7	E32 103.2/2.7	103.1536	103.1534	103.1256	E31 103.2/2.7 + A	E31 103.2/2.7 + B	
2.7-3.2	3.2	E32 103.2/3.2	103.1270	103.1263	103.1256	E31 103.2/3.2 + A	E31 103.2/3.2 + B	
3.2-3.7	3.7	E32 103.2/3.7	103.1269	103.1262	103.1255	E31 103.2/3.7 + A	E31 103.2/3.7 + B	
3.7-4.2	4.2	E32 103.2/4.2	103.1268	103.1261	103.1254	E31 103.2/4.2 + A	E31 103.2/4.2 + B	
4.2-4.7	4.7	E32 103.2/4.7	103.1267	103.1260	103.1253	E31 103.2/4.7 + A	E31 103.2/4.7 + B	
4.7-5.2	5.2	E32 103.2/5.2	103.1266	103.1259	103.1252	E31 103.2/5.2 + A	E31 103.2/5.2 + B	
5.2-5.7	5.7	E32 103.2/5.7	103.1265	103.1258	103.1251	E31 103.2/5.7 + A	E31 103.2/5.7 + B	
5.7-6.2	6.2	E32 103.2/6.2	103.1264	103.1257	103.1250	E31 103.2/6.2 + A	E31 103.2/6.2 + B	

① We have begun shipping the cable clamp assemblies in a disposable plastic tube. In this case, a disposable internal retainer keeps the contact block in place. For details see page L6 and «General Cable Assembly Instructions» on page N2.