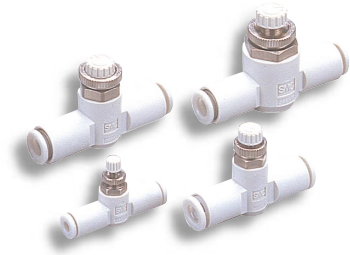


SPEED CONTROLLER WITH ONE TOUCH FITTINGS: IN-LINE TYPE SERIES AS1001F, 2001F, 2051F, 3001F, 4001F

- ✓ Minimises installation time and cost
- ✓ Accepts nylon and polyurethane tubing
- ✓ Wide variety of sizes
- ✓ Speed may accurately be controlled even at low velocity
- ✓ Constant speed easily set
- ✓ Retainer prevents accidental loss of needle
- ✓ Optional holder gives flexibility of mounting

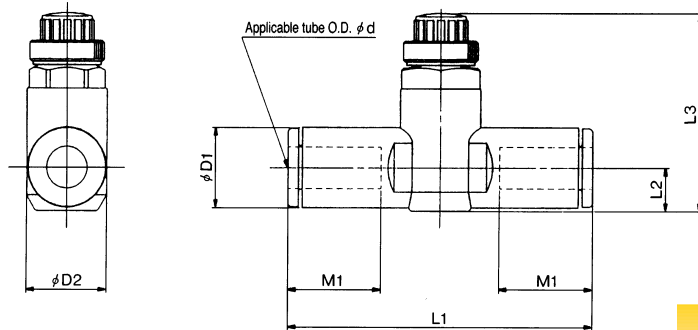


TECHNICAL SPECIFICATIONS

Proof pressure	1.5MPa (15.3kgf/cm ²)
Operating pressure range	0.1-1.0MPa
Ambient and fluid temperature	0-60°C
Number of needle rotations	10 turns (8 turns)*

*AS1001F type

DIMENSIONS AS1000-4000

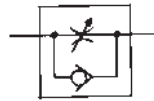


Model	Applicable tube O.D. (d)	D1	D2	L1	L2	L3		M1
						MAX	MIN	
AS1001F	4	9.3	10	39.2	5.2	24.2	21.4	12.8
	6	11.6		40.7	6.2	25.2	22.4	13.7
AS2001F	4	9.3	11.8	40.7	5.2	32.6	27.6	12
	6	11.6		44	6.3	33.7	28.7	13.7
AS2051F	6	12	14.8	53.2	6.7	35.2	30.2	16.8
	8	15.2		59.8	8.1	36.5	31.5	18
AS3001F	6	12	19.8	59	7.4	38.3	33.3	16.8
	8	15.2		64.4	8.2	39.1	34.1	18
	10	18.5		71.6	9.8	40.6	35.6	21
	12	20.9		76	11	41.8	36.8	22
AS4001F	10	18.5	26.5	82.1	11.3	51.1	43.6	21
	12	20.9		82.1	11.3	52.1	44.6	22

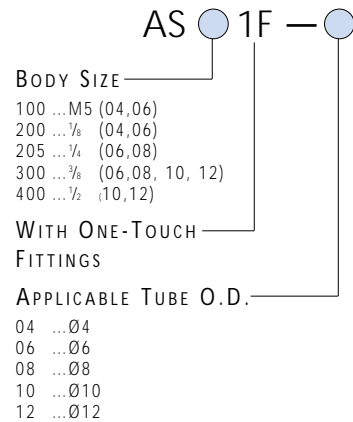
SPECIAL OPTION

Black body with blue bush (same dimensions) order with -X35 suffix. This also applies for black TMH mounting brackets.

SYMBOLS



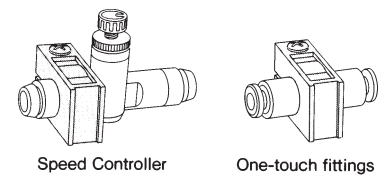
HOW TO ORDER AS1000-4000



STOCKED PRODUCTS
FOR A LIST OF STOCKED PRODUCTS, PLEASE SEE THE CURRENT SMC PRICE LIST

ACCESSORIES

MOUNTING BRACKET - NOW ALSO WHITE



Body size	Applicable tube					
	ø3.2	ø4	ø6	ø8	ø10	ø12
AS1001F	TMH-23J	TMH-04J	TMH-06J			
AS2001F			TMH-07			
AS2051F				TMH-08		
AS3001F					TMH-10	TMH-12
AS4001F						

Air Flow/Effective Area

Model	AS1001F		AS2001F		AS2051F		AS3001F		AS4001F		
	Metric size	ø4, ø6	ø4	ø6	ø6	ø8	ø6	ø8	ø10, ø12	ø10	ø12
Controlled flow (Free)	Air flow & min(AWFR)	100	130	230	290	460	420	660	920	1050	1390
	Effective area (mm ²)	1.5	2	3.5	4.5	7	6.5	10	14	16	21

(Note) Supply pressure: 0.5MPa (5.1kgf/cm²), Temperature: 20°C



SEE INSIDE FRONT COVER FOR
DETAILS OF YOUR LOCAL SALES OFFICE



FOR FURTHER TECHNICAL
DETAILS ON THIS
PRODUCT REQUEST
CATALOGUE REFERENCE
E201-G & E505



SPEED CONTROLLER WITH ONE TOUCH FITTINGS TO M5, R(PT) AND UNI TYPE MALE THREADS

SERIES AS 1 1F
 2 1F
 3 1F
 4 1F



Flow Control Equipment

- ✓ Minimises installation time and cost
- ✓ Accepts nylon and polyurethane tubing
- ✓ Wide variety of sizes
- ✓ Body swivels 360°
- ✓ Accurate speed control even at low velocity
- ✓ Constant speed easily set
- ✓ Retainer prevents accidental loss of control needle
- ✓ Available as elbow or universal body types
- ✓ With meter-in or meter-out control as standard options
- ✓ Optional NPT threads and inch tubing versions with meter-in or meter-out control as standard options– Ask SMC Regional Offices for details

TECHNICAL SPECIFICATIONS

Fluid	Air
Max. operating pressure	1MPa(10.2kgf/cm ²)
Min. operating pressure	0.1MPa(1kgf/cm ²)
Proof pressure	1.5MPa(15.3kgf/cm ²)
Ambient and fluid temperature	0 - 60°C
Number of needle revolutions	10 turns (M5 size: 8 turns)
Applicable tube material	Nylon, soft nylon, polyurethane
Mounting thread	M5, R(PT), Uni thread
Option	Hexagonal lock nut, nickel plated type ^{Note1} , sealant on R(PT) ^{Note2}

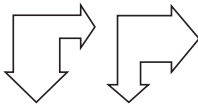
Note 1: Brass parts are all electroless nickel plated. M5 size are nickel plated as standard.

Note 2: M5 and Unithread have gasket seal as standard.

SYMBOLS



Meter-out Meter-in



Indication on product

HOW TO ORDER
SEE NEXT PAGE

DIMENSIONS
SEE NEXT PAGE

AIR FLOW EFFECTIVE ORIFICE

Model	AS12 ■ 1F AS13 ■ 1F	AS22 ■ 1F-01 AS23 ■ 1F-01	AS22 ■ 1F-02 AS23 ■ 1F-02	AS32 ■ 1F AS33 ■ 1F	AS42 ■ 1F AS43 ■ 1F	
Tube OD (mm)	4, 6	4, 6, 8, 10	4, 6, 8, 10	6, 8, 10, 12	10, 12	
Thread type	M5	R(PT) or unithread				
Controlled (Free) Air Flow ℓ/min (ANR)	100	180 230	260 390 460	660 790 920	1580 1710	
Flow Effective orifice (mm ²)	1.5	2.7 3.5	4 6 7	10 12 14	24 26	

Supply pressure=0.5MPa(5.1kgf/cm²) Temperature 20°C

■ : Control Method (0: Meter-out; 1: Meter-in)

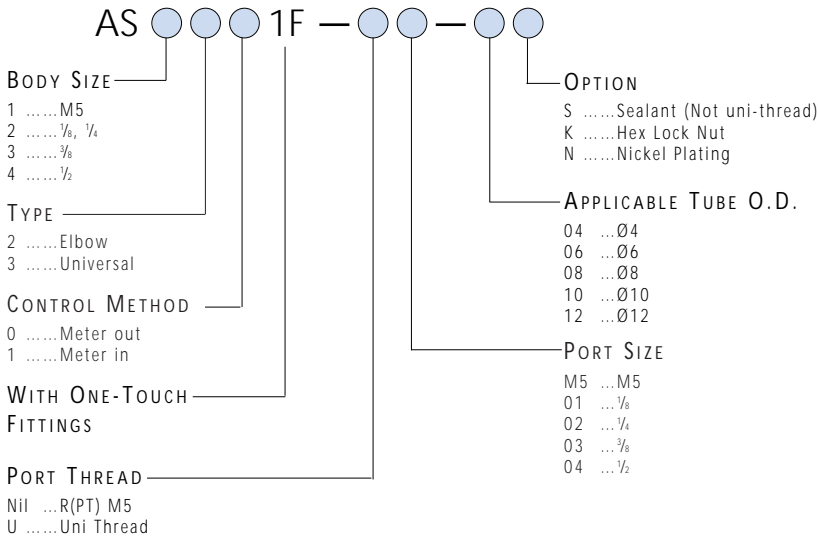
MODEL/RANGE

Elbow type	Universal Type	Port Size (Thread)	Applicable tube OD					Applicable cylinder bore size (mm)
			4	6	8	10	12	
AS12 ■ 1F	AS13 ■ 1F	M5 x 0.8	✓	✓				6, 10, 15, 20
AS22 ■ 1F-01	AS23 ■ 1F-01	1/8 R(PT)	✓	✓	✓	✓		20, 25, 32
AS22 ■ 1F-02	AS23 ■ 1F-02	1/4 R(PT)	✓	✓	✓	✓		20, 25, 32, 40
AS32 ■ 1F-02	AS33 ■ 1F-02	1/4 R(PT)		✓	✓	✓	✓	40, 50, 63
AS32 ■ 1F-03	AS33 ■ 1F-03	3/8 R(PT)		✓	✓	✓	✓	40, 50, 63
AS42 ■ 1F-04	AS43 ■ 1F-04	1/2 R(PT)				✓	✓	63, 80, 100
AS22 ■ 1F-U01	AS23 ■ 1F-U01	1/8 Uni-	✓	✓	✓	✓	✓	20, 25, 32
AS22 ■ 1F-U02	AS23 ■ 1F-U02	1/4 Uni-	✓	✓	✓			20, 25, 32, 40
AS32 ■ 1F-U03	AS33 ■ 1F-U03	3/8 Uni-		✓	✓	✓	✓	40, 50, 63
AS42 ■ 1F-U04	AS43 ■ 1F-U04	1/2 Uni-				✓	✓	63, 80, 100



FOR FURTHER TECHNICAL DETAILS ON THIS PRODUCT REQUEST CATALOGUE REFERENCE E201-G & E505

HOW TO ORDER



Note:
Elbow type models are also available with Push-in system for connection to other one-touch fittings. Ask your SMC Regional Office about series AS1000P, 2000P, 3000P, 4000P.

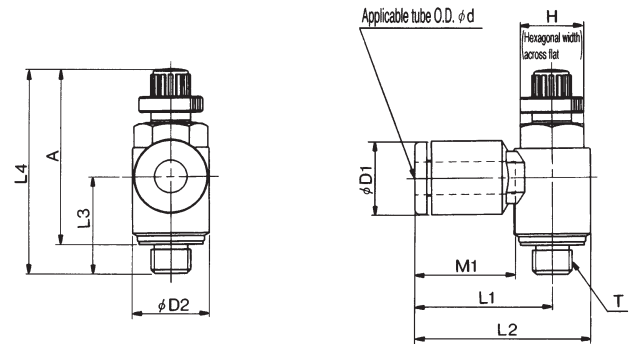
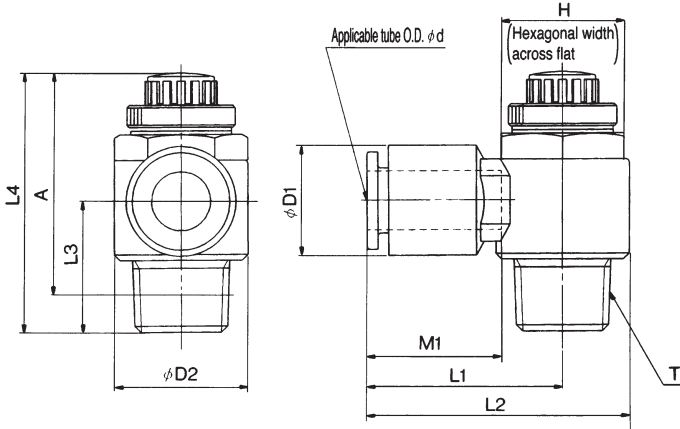


Black body/Blue bush (Same dimensions) order as -X35 suffix.

DIMENSIONS ELBOW TYPE

R(PT)

M5



Model	Applicable Tube OD d	T	H	D1	D2	L1	L2	L3	L4		A		M1
									Max	Min	Max	Min	
AS12■1F-M5-04	4	M5x0.8	8	9.3	9.6	17.3	22.1	12.3	28.6	25.8	25.0	22.2	12.7
AS12■1F-M5-06	6	M5x0.8	8	11.6	9.6	10.1	22.9	11.7	28.6	25.8	25.0	22.2	13.5
*AS22■1F-01-04	4	1/8	12	9.3	14.2	20.4	27.5	14.3	36.1	31.1	32.1	27.1	12.7
AS22■1F-01-06	6	1/8	12	11.6	14.2	20.4	27.5	14.3	36.1	31.1	32.1	27.1	13.5
AS22■1F-01-08	8	1/8	12	15.2	14.2	25.3	32.4	14.3	36.1	31.1	32.1 (30.5)	27.1 (25.5)	18.5
AS22■1F-01-10	10	1/8	12	18.5	14.2	33.1	40.2	15.0	36.1	31.1	32.1 (30.5)	27.1 (25.5)	21.0
*AS22■1F-02-04	4	1/4	17	10.4	18.5	25.2	34.4	18.2	40.4 (39.4)	35.4 (34.4)	34.4 (32)	29.4 (26.6)	15
AS22■1F-02-06	6	1/4	17	12.8	18.5	25.2	34.4	18.2	40.4 (39.4)	35.4 (34.4)	34.4 (32)	29.4 (26.6)	16.8
AS22■1F-02-08	8	1/4	17	15.2	18.5	27.2	36.4	18.2	40.4 (39.4)	35.4 (34.4)	34.4 (32)	29.4 (26.6)	18.5
AS22■1F-02-10	10	1/4	17	18.5	18.5	33.9	43.2	20.0	40.4 (39.4)	35.4 (34.4)	34.4 (32)	29.4 (26.6)	21.0
*AS32■1F-03-06	6	3/8	19	12.8	23.0	27.8	39.3	20.9	46.5 (45)	41.5 (40)	40 (37.6)	35.0 (32.6)	16.8
AS32■1F-03-08	8	3/8	19	15.2	23.0	29.5	41	20.9	46.5 (45)	41.5 (40)	40 (37.6)	35.0 (32.6)	18.5
AS32■1F-03-10	10	3/8	19	18.5	23.0	31.8	43.3	20.9	46.5 (45)	41.5 (40)	40 (37.6)	35.0 (32.6)	21.0
AS32■1F-03-12	12	3/8	19	20.9	23.0	32.8	44.3	20.9	46.5 (45)	41.5 (40)	40 (37.6)	35.0 (32.6)	22.0
*AS42■1F-04-10	10	1/2	24	18.5	28.6	33.6	47.9	25.4	57.6 (54.6)	50.1 (47.1)	49.6 (44.5)	42.1 (37.0)	21.0
AS42■1F-04-12	12	1/2	24	20.9	28.6	34.6	48.9	25.4	57.6 (54.6)	50.1 (47.1)	49.6 (44.5)	42.1 (37.0)	22.0

* Standard version and unithread version dimensions are the same except () which are unithread dimensions only



SEE INSIDE FRONT COVER FOR
DETAILS OF YOUR LOCAL SALES OFFICE



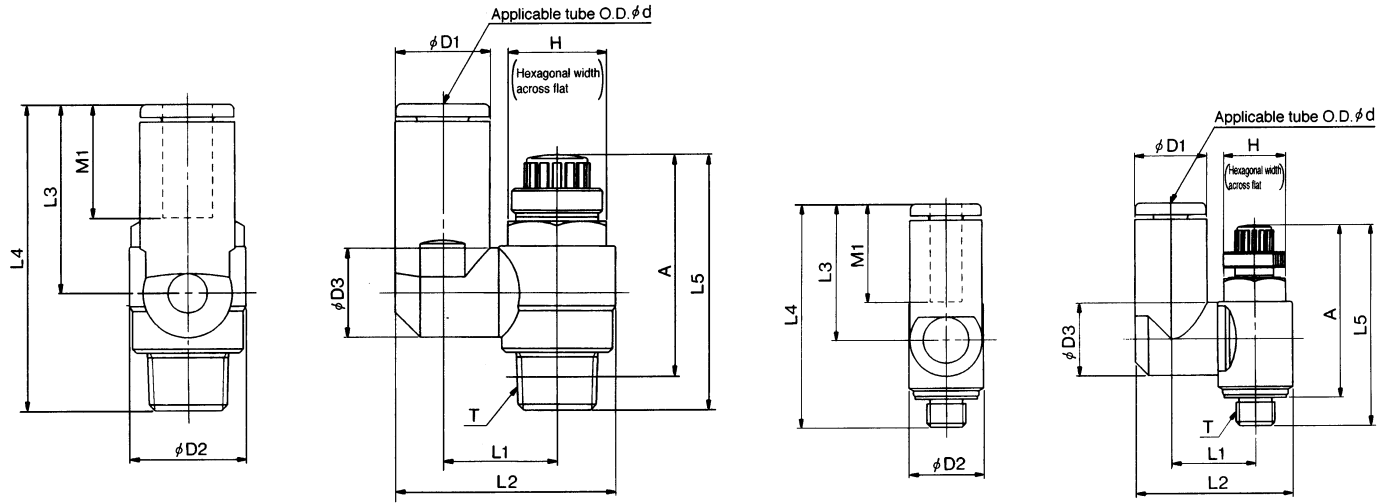
FOR FURTHER TECHNICAL
DETAILS ON THIS
PRODUCT REQUEST
CATALOGUE REFERENCE
E201-G & E505

DIMENSIONS
UNIVERSAL TYPE

R(PT)

M5

Flow Control Equipment



Model	Applicable Tube OD d	T	H	D1	D2	D3	L1	L2	L3	L4	L5		A ^{note1}		M1
											Max	Min	Max	Min	
AS13 ■ 1F-M5-04	4	M5x0.8	8	9.3	9.6	9.3	10.8	20.3	17.5	20.7	28.6	25.8	25	22.2	12.9
AS13 ■ 1F-M5-06	6	M5x0.8	8	11.6	9.6	9.3	10.8	21.4	20.6	31.8	28.6	25.8	25	22.2	12.9
*AS23 ■ 1F-01-04	4	R(PT) 1/8	12	9.3	14.2	9.3	13.1	24.9	17.5	31.8	36.1	31.1	32.1 (30.5)	27.1 (25.5)	12.9
AS23 ■ 1F-01-06	6	R(PT) 1/8	12	11.6	14.2	10.9	14	26.9	22.9	37.2	36.1	31.1	32.1 (30.5)	27.1 (25.5)	13.7
AS23 ■ 1F-01-08	8	R(PT) 1/8	12	15.2	14.2	12.9	16.2	30.9	20.2	41.7	36.1	31.1	32.1 (30.5)	27.1 (25.5)	10.7
*AS23 ■ 1F-02-04	4	R(PT) 1/4	17	10.4	18.5	10.9	16.2	30.6	21.9	40.1	40.4 (39.4)	35.4 (34.4)	34.4 (32)	29.4 (26.6)	15.8
AS23 ■ 1F-02-06	6	R(PT) 1/4	17	12.8	18.5	12.9	18.4	34	25.2	42.6	40.4 (39.4)	35.4 (34.4)	34.4 (32)	29.4 (26.6)	16
AS23 ■ 1F-02-08	8	R(PT) 1/4	17	15.2	18.5	12.9	18.3	35.2	28.2	45.6	40.4 (39.4)	35.4 (34.4)	34.4 (32)	29.4 (26.6)	18.7
AS23 ■ 1F-02-10	10	R(PT) 1/4	17	18.5	18.5	12.9	20.2	38.7	31	48.4	40.4 (39.4)	35.4 (34.4)	34.4 (32)	29.4 (26.6)	20.8
*AS33 ■ 1F-03-6	6	R(PT) 3/8	19	12.8	23	12.9	20.6	38.5	25.2	47	48.8 (45)	43.8 (40)	42.8 (37.6)	37.8 (32.6)	21.8
AS33 ■ 1F-03-8	8	R(PT) 3/8	19	15.2	23	12.9	20.6	39.7	28.2	50	48.8 (45)	43.8 (40)	42.8 (37.6)	37.8 (32.6)	18.7
AS33 ■ 1F-03-10	10	R(PT) 3/8	19	18.5	23	16.2	23	43.7	32.6	54.4	48.8 (45)	43.8 (40)	42.8 (37.6)	37.8 (32.6)	20.8
AS33 ■ 1F-03-12	12	R(PT) 3/8	19	20.9	23	16.2	23	44.9	34.4	56.2	48.8 (45)	43.8 (40)	42.8 (37.6)	37.8 (32.6)	21.8
*AS43 ■ 1F-04-10	10	R(PT) 3/8	24	18.5	28.6	16.2	25.8	49.4	32.6	58	57.6 (54.6)	50.1 (47.1)	49.4 (44.5)	41.9 (37)	20
AS43 ■ 1F-04-12	12	R(PT) 3/8	24	21.7	28.6	19.4	26.8	52	36.3	61.7	57.6 (54.6)	50.1 (47.1)	49.4 (44.5)	41.9 (37)	21

Note 1): Dimensions measured after M5 and (R(PT)) are screwed in.

* Standard version and unithread version dimensions are the same except () which are unithread dimensions only



FOR FURTHER TECHNICAL
DETAILS ON THIS
PRODUCT REQUEST
CATALOGUE REFERENCE
E201-G & E505

SPEED CONTROLLER WITH ONE TOUCH FITTINGS; STAINLESS STEEL TYPE SERIES AS12 1FG 22 1FG 32 1FG 42 1FG



- ✓ Stainless steel elements (SUS 303). Suitable for copper free specification and water/salt water washdown of food processing machines
- ✓ White resin body/release bush
- ✓ Optional pre-coated thread
- ✓ Maximum operating pressure 1.0MPa
- ✓ Accepts nylon, soft nylon and polyurethane tubing
- ✓ Retainer prevents accidental needle loss
- ✓ Constant easy speed setting with 10 turns of needle rotation

HOW TO ORDER

AS 2 1FG — — — —

BODY SIZE

- 1 M5
- 2 1/8, 1/4
- 3 3/8
- 4 1/2

TYPE

- 2 Elbow

CONTROL METHOD

- 0 Meter out
- 1 Meter in

WITH ONE TOUCH FITTING

STAINLESS STEEL TYPE (SUS303)

PORT SIZE

- M5 ... M5x0.8
- 01 ... R(PT)1/8
- 02 ... R(PT)1/4
- 03 ... R(PT)3/8
- 04 ... R(PT)1/2

APPLICABLE TUBE O.D.

- 04 ... Ø4
- 06 ... Ø6
- 08 ... Ø8
- 10 ... Ø10
- 12 ... Ø12

OPTION

- Nil ... None
- S with Sealant

TECHNICAL SPECIFICATIONS

Proof pressure	1.5MPa(15.3kgf/cm ²)
Max. operating pressure	1MPa(10.2kgf/cm ²)
Min. operating pressure	0.1MPa(1kgf/cm ²)
Ambient and fluid temperature	0 - 60°C
Number of needle revolutions	10 turns (8 turns ^{Note1})
Applicable tube material	Nylon, soft nylon, polyurethane
Option	With Sealant ^{Note2}

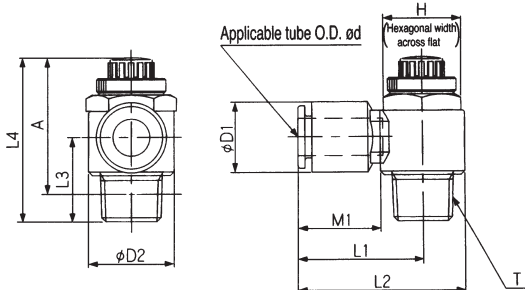
Note 1: Applicable tube to AS12*FG
Note 2: Not available for M5 threads

TECHNICAL SPECIFICATIONS

Elbow type	Port Size	Free Control Flow(Nr/min)/Effective Orifice(mm ²) by applicable tube				Applicable Tube
		4	6	8	10	
AS12*1FG-M5	M5x0.8	100/1.5	100/1.5			6, 10, 16, 20
AS22*1FG-01	R(PT)1/8	180/2.7	230/3.5	230/3.5	230/3.5	20, 25, 32
AS22*1FG-02	R(PT)1/4	260/4	390/6	460/7	460/7	20, 25, 32, 40
AS32*1FG-04	R(PT)3/8		660/10	790/12	920/14	40, 50, 63
AS42*1FG-04	R(PT)1/2				1580/24 1710/26	63, 80, 100

Note: Supply Pressure 0.5MPa Temperature 20°C

DIMENSIONS



Model	Applicable Tube OD d	T	H	D1	D2	L1	L2	L3	L4		A ^{Note1}		M1
									Max	Min	Max	Min	
AS12 ■ 1FG-M5-04	4	M5x0.8	8	9.3	9.6	17.3	22.1	12.3	28.6	25.8	25	22.2	12.7
AS12 ■ 1FG-M5-06	6	M5x0.8	8	11.6	9.6	18.1	22.9	11.7	28.6	25.8	25	22.2	13.5
AS22 ■ 1FG-01-04	4	R(PT) 1/8	12	9.3	14.2	20.4	27.5	14.3	36.1	31.1	32.1	27.1	12.7
AS22 ■ 1FG-01-06	6	R(PT) 1/8	12	11.6	14.2	20.4	27.5	14.3	36.1	31.1	32.1	27.1	13.5
AS22 ■ 1FG-01-08	8	R(PT) 1/8	12	15.2	14.2	25.3	32.4	14.3	36.1	31.1	32.1	27.1	18.5
AS22 ■ 1FG-02-10	10	R(PT) 1/8	12	18.5	14.2	33.1	40.2	15	36.1	31.1	32.1	27.1	21
AS22 ■ 1FG-02-04	4	R(PT) 1/4	17	10.4	18.5	25.2	34.4	18.2	40.4	35.4	34.4	29.4	15
AS22 ■ 1FG-02-06	6	R(PT) 1/4	17	12.8	18.5	25.2	34.4	18.2	40.4	35.4	34.4	29.4	16.8
AS22 ■ 1FG-02-08	8	R(PT) 1/4	17	15.2	18.5	27.2	36.4	18.2	40.4	35.4	34.4	29.4	18.5
AS22 ■ 1FG-02-10	10	R(PT) 1/4	17	18.5	18.5	33.9	43.2	20	40.4	35.4	34.4	29.4	21
AS32 ■ 1FG-03-6	6	R(PT) 3/8	19	12.8	23	27.8	39.3	20.9	46.5	41.5	40	35	16.8
AS32 ■ 1FG-03-8	8	R(PT) 3/8	19	15.2	23	29.5	41	20.9	46.5	41.5	40	35	18.5
AS32 ■ 1FG-03-10	10	R(PT) 3/8	19	18.5	23	31.8	43.3	20.9	46.5	41.5	40	35	21
AS32 ■ 1FG-03-12	12	R(PT) 3/8	19	20.9	23	32.8	44.3	20.9	46.5	41.5	40	35	22
AS42 ■ 1FG-04-10	10	R(PT) 1/2	24	18.5	28.6	33.6	47.9	25.4	57.6	50.1	49.6	42.1	21
AS42 ■ 1FG-04-12	12	R(PT) 1/2	24	20.9	28.6	34.6	48.9	25.4	57.6	50.1	49.6	42.1	22

Note 1: Dimensions measured when thread has been screwed in.



SEE INSIDE FRONT COVER FOR
DETAILS OF YOUR LOCAL SALES OFFICE



FOR FURTHER TECHNICAL
DETAILS ON THIS
PRODUCT REQUEST
CATALOGUE REFERENCE
E201-G & E505

FLAME RESISTANT SPEED CONTROLLER WITH ONE TOUCH FITTINGS AND METAL BODY

SERIES AS12 ■ 1-■-F ■ ■
 22 ■ 1-■-F ■ ■
 32 ■ 1-■-F ■ ■
 42 ■ 1-■-F ■ ■



- ✓ Metal body and flame resistant resin one-touch fitting cassette (to UL94 standard V-0)
- ✓ Ideal for heavy duty application
- ✓ Can be used in conjunction with other flame resistant fittings and tubing (See section 4 of this catalogue).

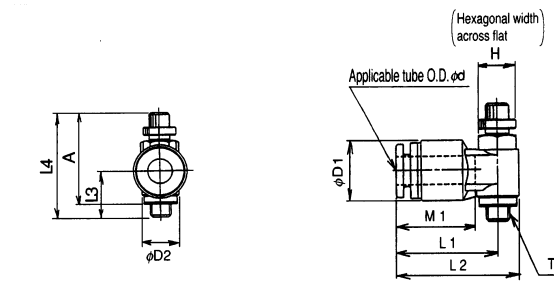
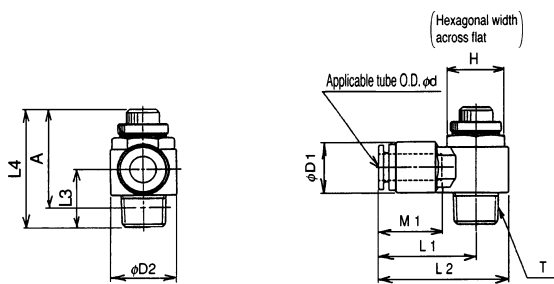
Flow Control Equipment

TECHNICAL SPECIFICATIONS

Proof pressure	1.5MPa(15.3kgf/cm ²)
Max. operating pressure	1MPa(10.2kgf/cm ²)
Min. operating pressure	0.1MPa(1kgf/cm ²)
Ambient and fluid temperature	0 - 60°C
Number of needle revolutions	10 turns (8 turns ^{Note1})
Applicable tube material	Nylon, soft nylon, polyurethane
Option	W/seal, Hexagon lock nut, Nickel plating type

Model	AS12 ■ 1-M5-F*	AS22 ■ 1-01-F*	AS22 ■ 1-02-F*		AS32 ■ 1-03-F*		AS42 ■ 1-04-F*	
Applicable Tube OD (mm)	Ø4, Ø6	Ø4, Ø6	Ø6	Ø8	Ø8	Ø10	Ø10	Ø12
Controlled (Free) Air Flow ℓ/min (ANR)	100	230	390	460	790	920	1580	1710
Flow Effective orifice (mm ²)	1.5	3.5	6	7	12	14	24	26
ID of applicable cylinders (mm)	6, 10, 16, 20	20, 25, 32	20, 25, 32, 40		40, 50, 63		63, 80, 100	

DIMENSIONS



HOW TO ORDER

AS ● 2 ● 1 - ● - F ● ●

BODY SIZE

- 1M5 Standard
- 201, 02 Standard
- 303 standard
- 404 Standard

TYPE

- 2Elbow

CONTROL METHOD

- 0Meter out
- 1Meter in

THREAD SIZE

- M5 ...M5x0.8
- 01 ...R(PT)1/8
- 02 ...R(PT)1/4
- 03 ...R(PT)3/8
- 04 ...R(PT)1/2

BUILT-IN ONE TOUCH FITTING

TUBE PORT SIZE

- 04 ...Ø4
- 06 ...Ø6
- 08 ...Ø8
- 10 ...Ø10
- 12 ...Ø12

OPTION

- Swith sealant
 - KHexagon lock nut
 - NNickel plating type
- The option sequence must be SKN

Model	Applicable Tube OD d	T	H	D1	D2	L1	L2	L3	L4		A ^{Note1}		M1	Mass
									Max	Min	Max	Min		
AS12 ■ 1-M5-F04	4	M5x0.8	8	13	9	21	25.5	11.2	28.8	25.5	25	22.2	16	12.7
AS12 ■ 1-M5-F06	6	M5x0.8	8	13	9	21.5	26	11.2	28.8	25.5	25	22.2	17	12.5
AS22 ■ 1-01-F06S	6	R(PT) 1/8	12	15.5	14.6	26.6	33.9	14.7	36.4	31.4	32.4	27.4	17	33.7
AS22 ■ 1-01-F08S	8	R(PT) 1/8	12	15.5	14.6	26.6	33.9	14.7	36.4	31.4	32.4	27.4	18.5	30.7
AS22 ■ 1-02-F06S	6	R(PT) 1/4	17	15.5	19.5	28.7	38.5	17.7	40.8	35.8	34.8	29.8	17	56.3
AS22 ■ 1-02-F08S	8	R(PT) 1/4	17	15.5	19.5	28.7	38.5	17.7	40.8	35.8	34.8	29.8	18.5	52.1
AS32 ■ 1-03-F08S	8	R(PT) 3/8	19	18.2	24.3	32.7	44.9	20.1	46.9	41.9	40.6	35.6	18.5	92.9
AS32 ■ 1-03-F10S	10	R(PT) 3/8	19	18.2	24.3	33.3	45.5	20.1	46.9	41.9	40.6	35.6	21	87.6
AS42 ■ 1-04-F10S	10	R(PT) 1/2	24	22.3	28.5	36.1	50.4	25.5	55.6	50.6	47.4	42.4	21	153.8
AS42 ■ 1-04-F12S	12	R(PT) 1/2	24	22.3	28.5	36.1	50.4	25.5	55.6	50.6	47.4	42.4	22	145.5

Note: Dimensions measured when thread has been screwed in.



FOR FURTHER TECHNICAL DETAILS ON THIS PRODUCT REQUEST CATALOGUE REFERENCE E201-G & E505