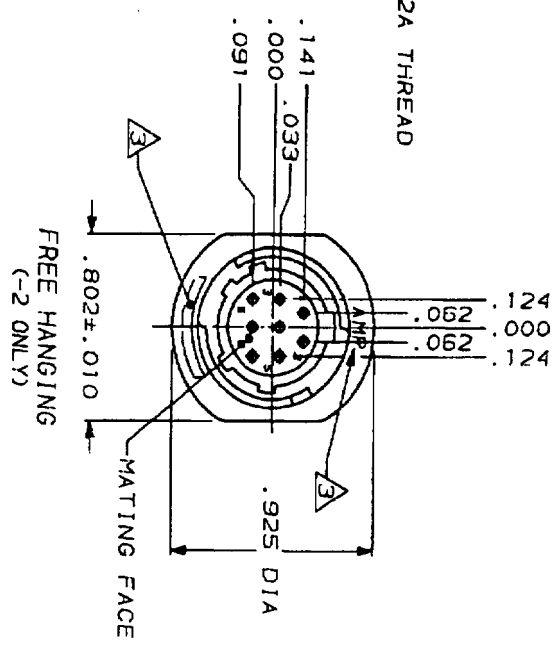
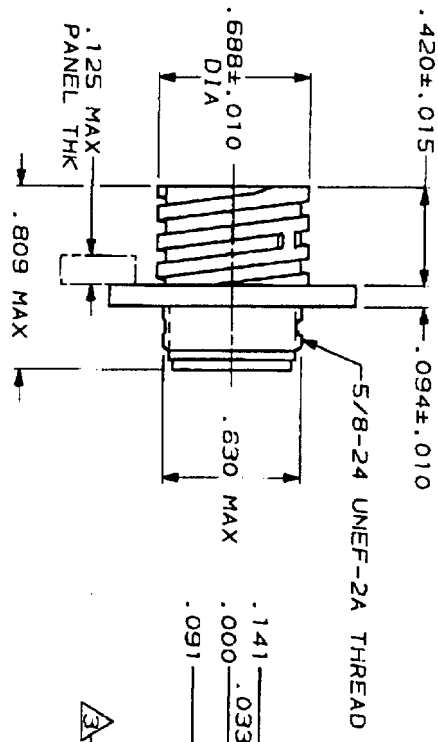
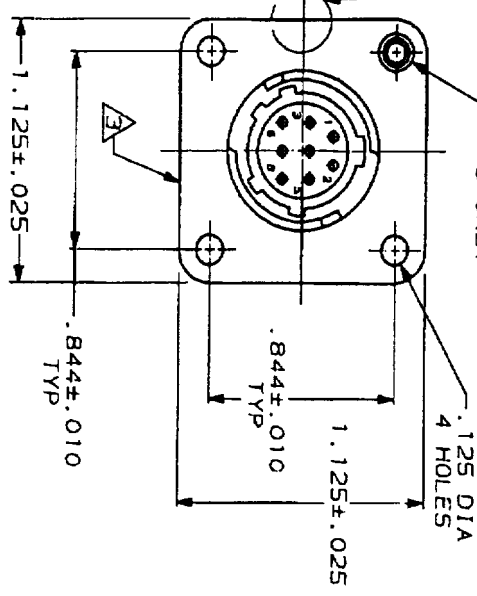


DRAWING MADE IN THIRD ANGLE PROJECTION
 THIS DRAWING IS UNPUBLISHED. RELEASED FOR PUBLICATION
 BY AMP INCORPORATED. ALL INTERNATIONAL RIGHTS RESERVED.

.010 MAX GATE DEPRESSION PERMISSIBLE THIS AREA

#4-40 THREADED INSERT, 4 PLC MATERIAL: BRASS -3 ONLY



PANEL CUTOUT
 SCALE 1:1

- CONTACT CAVITIES IDENTIFIED BY CHARACTERS ON FRONT AND REAR FACES OF CONNECTOR.
- WILL ACCEPT (B) SIZE 20 PIN CONTACTS.
- AMP AND PART NUMBER THIS AREA.

593 096

REVISIONS		DATE	APPD
1	REDDRAWN	4/5/91	AF
2	OBSOLETED -3 EC 0020-271-93		

593-096

OBSOLETE	205841-3	PART NUMBER
	205841-2	
	205841-1	

DO NOT SCALE PRINT. DIMENSIONS SPECIFIED IN INCHES UNLESS SPECIFIED OTHERWISE.

AMP
 AMP Incorporated
 Harrisburg, PA 17105-3608

RECEPTACLE ASSEMBLY, STD SEX, SERIES 2, 11-8, CPC

SIZE: B
 CAD CODE: 00779
 DRAWING NO: 205841

SCALE: 2:1
 SHEET: 1 OF 1

CUSTOMER DRAWING