

DRAWING MADE IN TRISO ANGLE PROJECTION

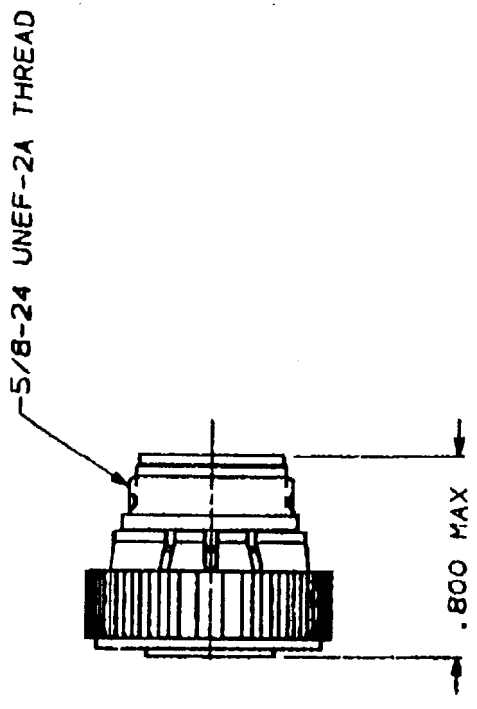
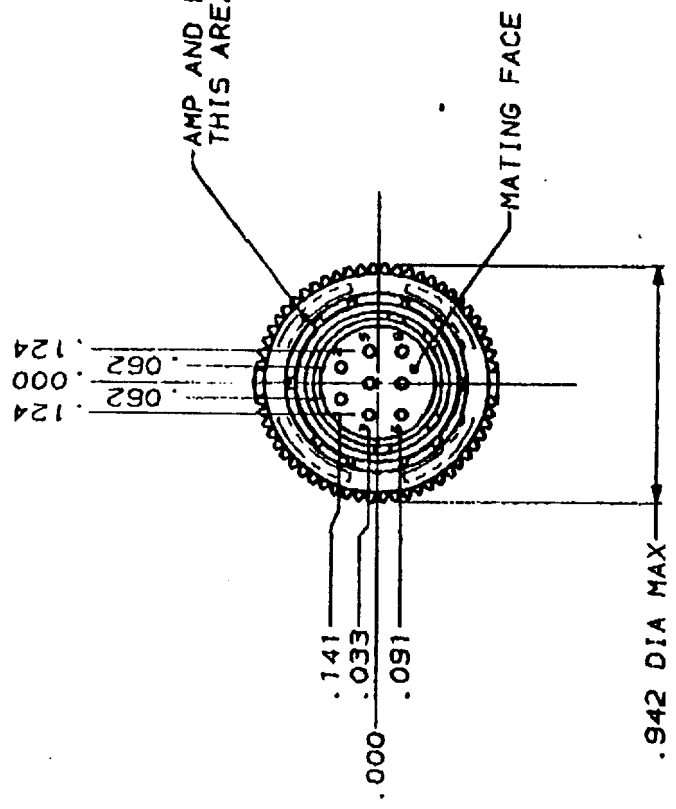
THIS DRAWING IS UNPUBLISHED. RELEASED FOR PUBLICATION BY AMP INCORPORATED. ALL INTERNATIONAL RIGHTS RESERVED.

593 011

19

MOD 23 80 35

REVISIONS
DATE 4/8/91



1. CONTACT CAVITIES IDENTIFIED BY CHARACTERS ON FRONT AND REAR FACES OF CONNECTOR.
2. WILL ACCEPT (8) SIZE 20 PIN CONTACTS.

206434-1
PART NUMBER

NO. NOT SPECIFIED	OR (DRAWN)	AMP INCORPORATED
UNLESS SPECIFIED	OR (DATE)	HARRISBURG, PA 17106-3608
DIMENSIONS IN INCHES	OR (SCALE)	
TOLERANCES UNLESS OTHERWISE SPECIFIED	OR (MATERIAL)	
PLS SEE 2-1-88	OR (FINISH)	
DATE 12-1-88	OR (APPROVAL)	
	OR (SIGNATURE)	
MATERIAL THERMOPLASTIC, BLACK	OR (PART NO)	PLUG ASSEMBLY, REV SEX, SERIES 2-11-8, CPC
FINISH	OR (SIZE)	SIZE B
	OR (DRAWING NO)	00779
	OR (REV)	2-1
	OR (PART NO)	206434
	OR (PAGE)	1 OF 1

CUSTOMER DRAWING