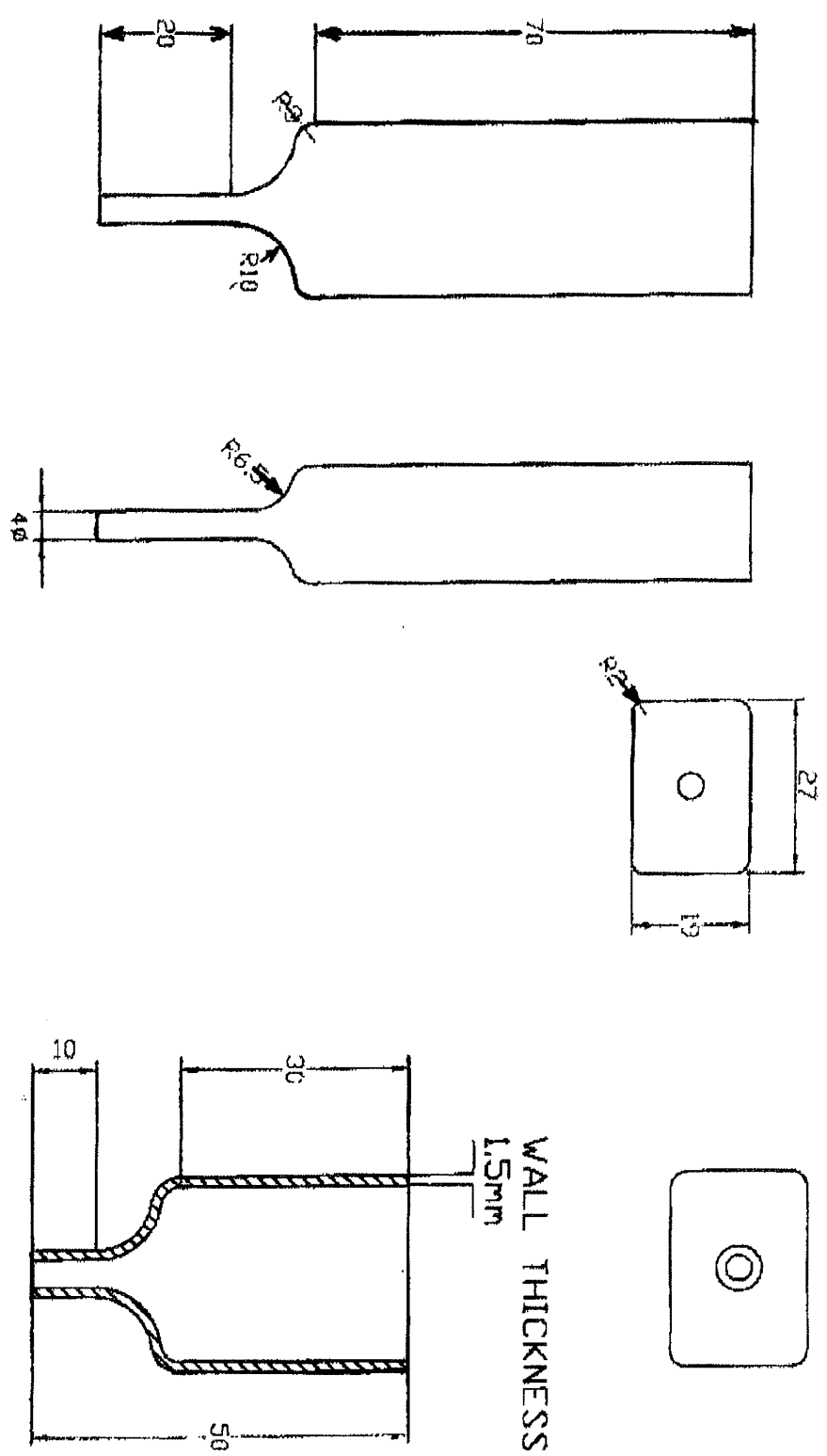


313 798 = DIP-IECS-BK.

MH CONNECTORS ORDER CODE
P/No. DIP-IECS-BK

TOOL,
CAST ALUMINIUM



WALL THICKNESS AT DIP LINE
1.5mm

NOTE: DIM 50 WAS 55



TITLE
BOOT
60 SHORE FR
BLACK

TOOL
Linear ± 0.25
Diameter ± 0.2
Concentricity ± 0.2
Angular ± 0.5 Degrees
REMOVE ALL BURRS & SHARP CORNERS TO
MIN 1.0 45 DEGREES
MIN 2.0 RADII

General tolerance unless otherwise stated

MOULDING

WALL THICKNESS - 0.5 + 1.0
AT DIP LINE
DIPPED LENGTH + 0.5 - 1.5
TRIMMED LENGTH - 0.5 + 1.5

PRDD ISS 1 DC09/10/97
DESIGNATION
APPROVED

MH CONNECTORS ORDER CODE
DIP-IECS-BK