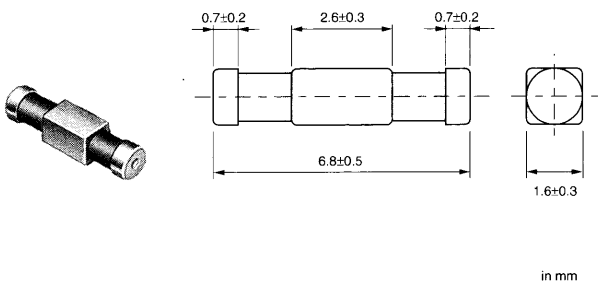
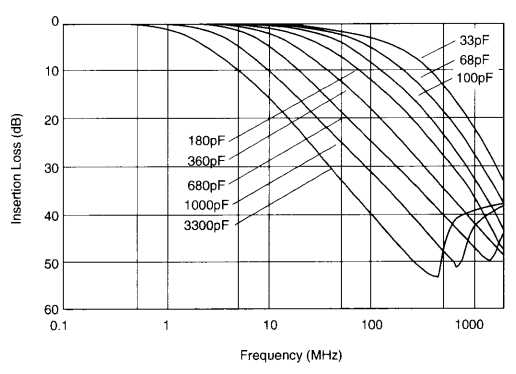


Part Number	Capacitance (pF)	Rated Voltage (Vdc)	Rated Current (A)	Insulation Resistance (M ohm)	Operating Temperature Range (°C)
NFE31PT220R1E9	22 +30%,-30%	25	6	1000 min.	-40 to 85
NFE31PT470C1E9	47 +50%,-20%	25	6	1000 min.	-40 to 85
NFE31PT101C1E9	100 +80%,-20%	25	6	1000 min.	-40 to 85
NFE31PT221D1E9	220 +50%,-20%	25	6	1000 min.	-40 to 85
NFE31PT471F1E9	470 +50%,-20%	25	6	1000 min.	-40 to 85
NFE31PT152Z1E9	1500 +50%,-20%	25	6	1000 min.	-40 to 85
NFE31PT222Z1E9	2200 +50%,-50%	25	6	1000 min.	-40 to 85

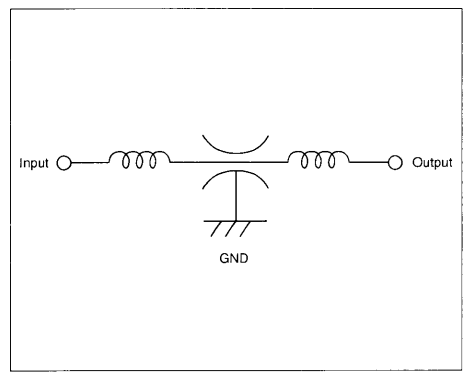
● NFE61P/NFE61H Series (2606)



IL of Main Items



Equivalent Circuit



Part Number	Capacitance (pF)	Rated Voltage (Vdc)	Rated Current (A)	Insulation Resistance (M ohm)	Operating Temperature Range (°C)
NFE61HT330U2A9	33 +30%,-30%	100	2	1000 min.	-55 to 125
NFE61PT330B1H9	33 +30%,-30%	50	2	1000 min.	-25 to 85
NFE61HT680R2A9	68 +30%,-30%	100	2	1000 min.	-55 to 125
NFE61PT680B1H9	68 +30%,-30%	50	2	1000 min.	-25 to 85
NFE61HT101Z2A9	100 +30%,-30%	100	2	1000 min.	-55 to 125
NFE61PT101Z1H9	100 +30%,-30%	50	2	1000 min.	-25 to 85
NFE61HT181C2A9	180 +30%,-30%	100	2	1000 min.	-55 to 125
NFE61PT181B1H9	180 +30%,-30%	50	2	1000 min.	-25 to 85
NFE61HT361C2A9	360 +20%,-20%	100	2	1000 min.	-55 to 125
NFE61PT361B1H9	360 +20%,-20%	50	2	1000 min.	-25 to 85
NFE61HT681D2A9	680 +30%,-30%	100	2	1000 min.	-55 to 125
NFE61PT681B1H9	680 +30%,-30%	50	2	1000 min.	-25 to 85
NFE61HT102F2A9	1000 +80%,-20%	100	2	1000 min.	-55 to 125
NFE61PT102E1H9	1000 +80%,-20%	50	2	1000 min.	-25 to 85
NFE61HT332Z2A9	3300 +80%,-20%	100	2	1000 min.	-55 to 125
NFE61PT472C1H9	4700 +80%,-20%	50	2	1000 min.	-25 to 85

Heavy duty NFE61HT series rated 100Vdc, have an extended operating temperature range from -55 to 125 °C.