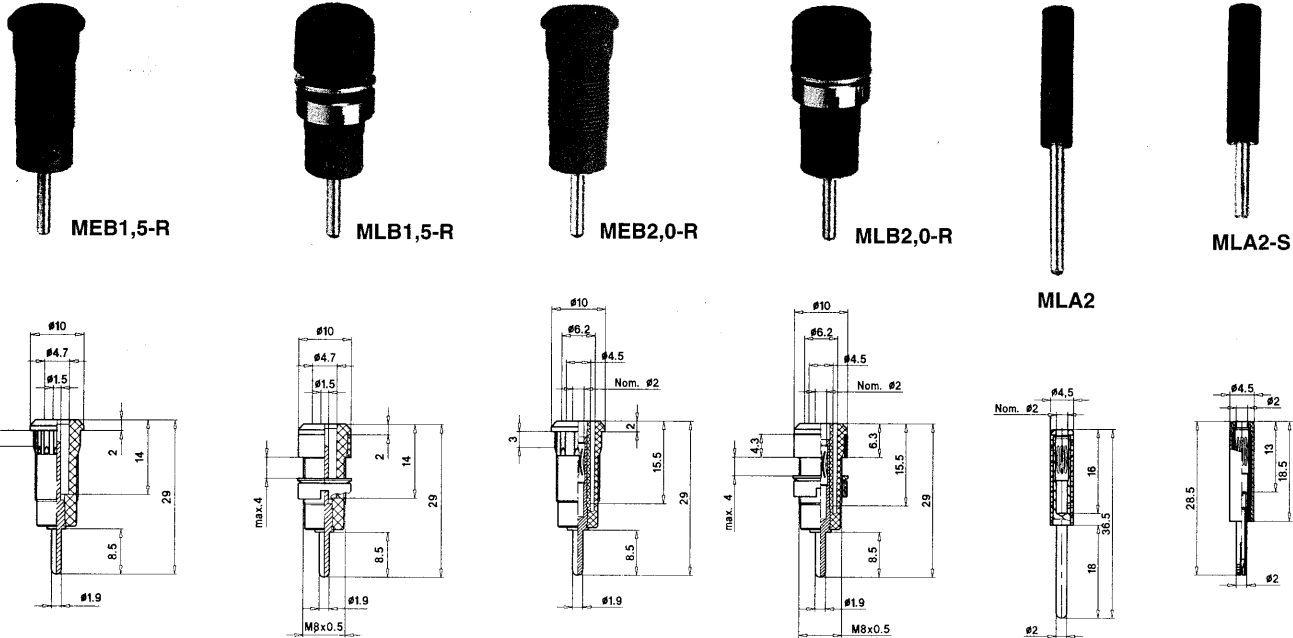


Touch-proof \varnothing 1.5 mm and \varnothing 2 mm Panel-mounting Sockets and Adapters **Multi-Contact**

IEB1,5-R, MLB1,5-R, MEB2,0-R, MLB2,0-R:
Touch-proof panel-mounting sockets to mate with \varnothing 1.5 mm and \varnothing 2 mm plug connectors according to DIN 42802-1 or -DIN 42802-2. The sockets are fitted in holes drilled in panels or casings of plastic, metal etc. (screw-in or press-in mounting).

MLA2, MLA2-S:
Plug-fitting adapters and adapters with screw locking for connecting touch-proof \varnothing 2 mm plug connectors according to E-DIN 42802-2. On tightening an internal screw, the \varnothing 2 mm plug of the MLA2-S expands so as to lock firmly in the socket.



Type	MEB1,5-R	MLB1,5-R	MEB2,0-R	MLB2,0-R	MLA2	MLA2-S
Socket version	rigid \varnothing 1.5 mm pin (DIN 42802-1)		spring-loaded \varnothing 2 mm socket (E-DIN 42802-2)			
Withdrawal force	-		> 10 N (after 100 connecting cycles)			
Insulation	PA					
Temperature range	-40° C ... +80° C					
Metal parts, plating	brass, gold-plated					
Terminal	round pin \varnothing 1.9 mm				round pin \varnothing 2.0 mm	Expandable \varnothing 2 mm plug can be screwed into \varnothing 2 mm sockets
Assembly	press-in	screw-in	press-in	screw-in		
Panel drilling	\varnothing 8.3 mm	see assembly instructions	\varnothing 8.3 mm	see assembly instructions		
Panel thickness	min. 1.5 mm		min. 1.5 mm			
Standard colours*	21 - 25, 29	21 - 25, 29	21 - 25, 29	21 - 25, 29	21 - 25, 29	21 - 25, 29
Order No.	65.3301-*	65.3300-*	65.3303-*	65.3304-*	20.0159-*	24.0159-*

Assembly material supplied)	-	Spacer sleeve, M8 round nut: MUR/M8x0,5 Ni, Order No. 23.5110 washer: SP4 Ni Order No. 23.5107	-	Spacer sleeve, M8 round nut: MUR/M8x0,5 Ni, Order No. 23.5110 washer: SP4 Ni Order No. 23.5107	413 0110 413 0091 413 0108 413 0121 413 0133	
Special spanners for socket assembly	Assembly tool: MB2-S Order No. 25.0028	Counter spanner: SS4, Order No. 25.0021 Twist stop spanner: SS2-S, Order No. 25.0023	-	Counter spanner: SS4, Order No. 25.0021 Twist stop spanner: SS2-M, Order No. 25.0026		
Connection aids	Round connecting receptacle: RSH1,9, Order No. 23.5202				-	-
Assembly instructions	MA 510	MA 511	MA 528	MA 527	-	MA 160

Colour code	20	21	22	23	24	25	26	27	28	29	33
	green-yellow	black	red	blue	yellow	green	violet	brown	grey	white	transparent