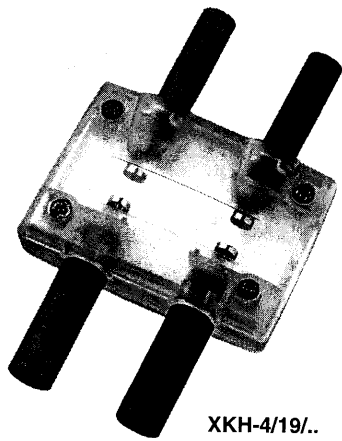


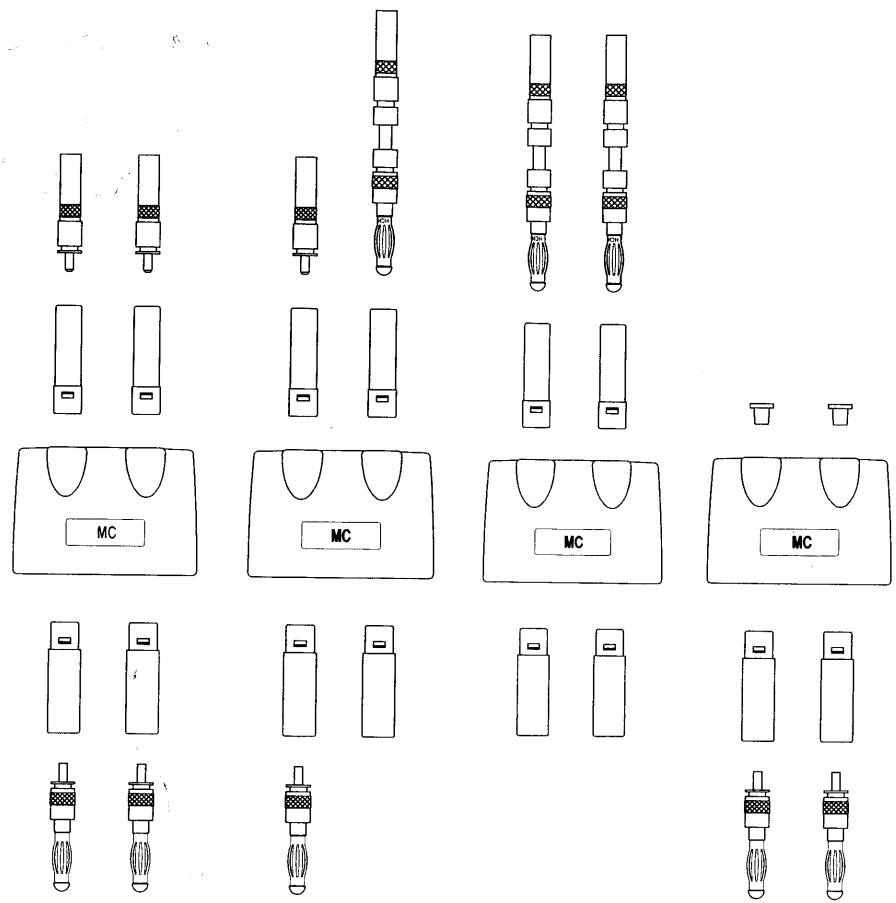
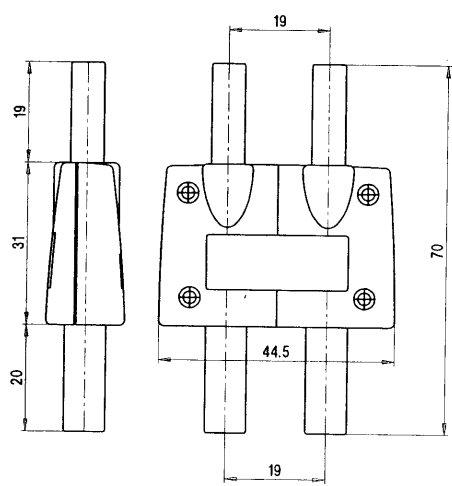
ø 4 mm safety component holder to connect individual components with ø 4 mm safety test leads. The components are clearly visible in the transparent adapter housing, which is therefore ideally suited for instructional use.

The components in the adapter casing are provided with soldered connections, and the casing is screwed together. Available in various versions with combinations of plugs and sockets.

4130273



XKH-4/19/..



XKH-4/19/A

XKH-4/19/B

XKH-4/19/C

XKH-4/19/D

Type	XKH-4/19/A	XKH-4/19/B	XKH-4/19/C	XKH-4/19/D
Rated voltage	4130273	600 V, CAT II, dependent on the component inserted		
Rated current	Dependent on the component inserted			
Insulation	Plug connector: PA, black and red Adapter casing: ABS, transparent			
Operating temperature	-40°C ... +75°C			
Metal parts, plating	Brass, nickel-plated			
Connection of the components in the adapter casing	Solder connection			
Version	2x ø 4 mm safety plug 2x ø 4 mm safety socket	1x ø 4 mm safety plug 1x ø 4 mm safety socket 1x ø 4 mm safety plug-socket	2x ø 4 mm safety plug-socket	2x ø 4 mm safety plug 2x stopper
Standard colour*	transparent	transparent	transparent	transparent
Order No.	66.9045-33	66.9046-33	66.9047-33	66.9049-33

Assembly instructions on request	MA 524
----------------------------------	--------

*Colour code	20	21	22	23	24	25	26	27	28	29	30	33
	green-yellow	black	red	blue	yellow	green	violet	brown	grey	white	orange	transparent