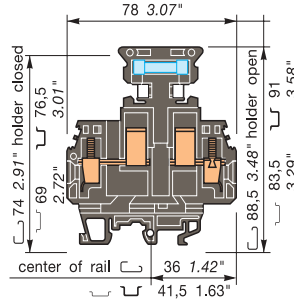


Fuse holder terminal blocks
for 6,35 x 25,4 mm 1/4 x 1 in.
and 6,35 x 32 mm 1/4 x 1 1/4 in. fuses
Compression clamp

  **DIN 1 - DIN 3**

MU 10/13.SF2

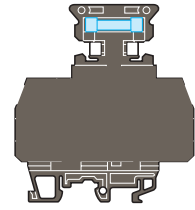
Spacing 13 mm (.512")



13 mm block for blown fuse indicator (to be ordered separately).


MU 10/14,5.SF2


Spacing 14,5 mm (.571")



14,5 mm block for blown fuse indicator (to be ordered separately).



Color	Type	Part numbers
Black V0	 MU 10/13.SF2	0199 014.11

Color	Type	Part numbers
Black V0	 MU 10/14,5.SF2	0199 013.10

Characteristics

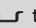
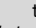

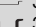
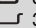
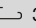
Wire size			
	NFC DIN	UL	CSA
Compression Solid wire	0,5-16 mm ²	22-10 AWG	6 AWG max.
clamp Stranded wire	0,5-10 mm ²	22-10 AWG	6 AWG max.

Characteristics

Wire size			
	NFC DIN	UL	CSA
Compression Solid wire	0,5-16 mm ²	22-10 AWG	6 AWG max.
clamp Stranded wire	0,5-10 mm ²	22-10 AWG	6 AWG max.

Voltage			
Rated	750 V Gr.C (1)	600 V (1)	600 V (1)
Pulse			
Pollution degree			
Current			
Rated	16 A	16 A	16 A
Wire size			
Rated / Gauge	10 mm ²	10 AWG	6 AWG
Wire stripping length	Recomm. screwdriver 5,5 mm .22"	Recomm. torque 1,2-1,4 Nm 10.6-12.3 lb.in	Protection IP 20 NEMA 1

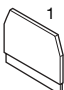




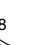



Voltage			
Rated	750 V Gr.C (1)	600 V (1)	600 V (1)
Pulse			
Pollution degree			
Current			
Rated	16 A	16 A	16 A
Wire size			
Rated / Gauge	10 mm ²	10 AWG	6 AWG
Wire stripping length	Recomm. screwdriver 5,5 mm .22"	Recomm. torque 1,2-1,4 Nm 10.6-12.3 lb.in	Protection IP 20 NEMA 1

End stop  th. 9,1 mm **BADL** V0 **0199 408.02**
 End stop  th. 9,1 mm **BAM** **0103 002.26**
 Other end stops : See Accessories section
 Rail  35 x 7,5 x 1 **PR30** prepunched **0173 220.05**
 Rail  35 x 15 x 2,3 **PR4** **0168 500.12**
 Rail  35 x 15 x 1,5 **PR5** prepunched **0101 598.26**
 Rail  32 x 15 **PR1Z2** **0163 050.04**
 Other rails : See Accessories section

Notes

The use of some accessories may decrease the block's voltage rating. For more information, consult us.

Accessories

	1 End section black	FEM13U V0 th. 1,5 mm 0199 635.24
	2 Test plug	FC2 DIA. 2 mm 0007 865.26
	3 Test socket	FC4 DIA. 4 mm 0167 860.01
	4 Standard jumper bar	AL2 DIA. 2 mm 0163 043.21
	5 Screw for BJ	AL3 DIA. 3 mm 0163 261.00
	6 Washer for BJ	AL4 DIA. 4 mm 0163 262.01
	7 Fuse 6,35 x 32 mm Quick blow fuse cartridge as per UTE 93435	BJS131 10 poles 0175 991.11
	8 Blown fuse indicator	VJS11 0163 394.26
	R See section on marking method	RDJ11 0168 783.01

Type	Part numbers
FC2 DIA. 2 mm	0007 865.26
FC4 DIA. 4 mm	0167 860.01
AL2 DIA. 2 mm	0163 043.21
AL3 DIA. 3 mm	0163 261.00
AL4 DIA. 4 mm	0163 262.01
BJS131 10 poles	0175 991.11
VJS11	0163 394.26
RDJ11	0168 783.01
FU633 6,35 x 32	
0,25 A	0168 554.03
0,63 A	0168 555.04
1 A	0168 556.05
1,6 A	0168 557.06
2,5 A	0168 558.17
4 A	0168 559.10
6,3 A	0168 560.15
10 A	0168 561.02
16 A	0168 562.03
LEN Neon 110 - 230 VAC	0167 075.25
LEN Neon 480 VAC	0103 909.00
Leakage current with neon indicator	
< 0,5 mA (110 & 480 VAC)	
< 0,7 mA (230 VAC)	

Type	Part numbers
FC2 DIA. 2 mm	0007 865.26
FC4 DIA. 4 mm	0167 860.01
AL2 DIA. 2 mm	0163 043.21
AL3 DIA. 3 mm	0163 261.00
AL4 DIA. 4 mm	0163 262.01
FU633 6,35 x 32	
0,25 A	0168 554.03
0,63 A	0168 555.04
1 A	0168 556.05
1,6 A	0168 557.06
2,5 A	0168 558.17
4 A	0168 559.10
6,3 A	0168 560.15
10 A	0168 561.02
16 A	0168 562.03
LEN Neon 110 - 230 VAC	0167 075.25
LEN Neon 480 VAC	0103 909.00
Leakage current with neon indicator	
< 0,5 mA (110 & 480 VAC)	
< 0,7 mA (230 VAC)	

Note : (1) Insulation voltage of terminal block - operating voltage : In accordance with fuse rating.