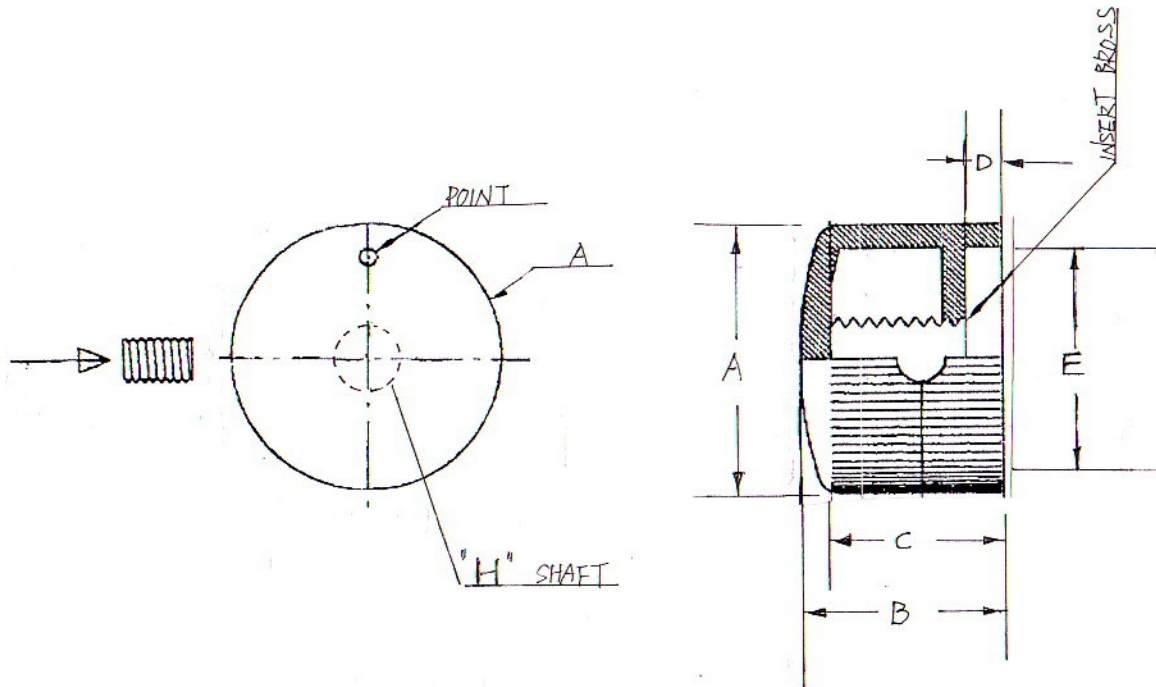
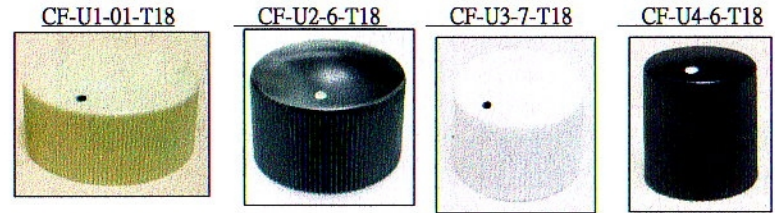


P/N	A	B	C	D	E	Screw
CF-U1-#-H	31.8	17.3	15.5	3.0	27.0	120°x2pcs
CF-U2-#-H	23.3	17.3	15.5	3.5	20.0	180°x1pc
CF-U3-#-H	18.0	17.2	15.0	2.8	13.8	180°x1pc
CF-U4-#-H	13.0	15.8	6.2	0.0	10.0	180°x1pc

# -- **1:Red, 2:Yellow, 3:Blue, 4:Green, 5:Gren, 6:Black, 7: White, 01:Bone, 91:Almond**  
H -- Shaft hole: T18 Teeth, Screw 6.0 & 6.4mm SHAFT



嘉信旋鈕股份有限公司  
CHIA SHIN KNOBS CO., LTD.  
351, YUNGHO ROAD,  
CHUNGHO CITY,  
TAIPEI HSIEN,  
TEL:(02)2225-1216~7  
FAX:(02)2222-7312

Material: PLASTIC  
Tolerance: +/-0.20  
Unit : mm

P/N:	
CHIA SHIN P/N:	CF-U SERIES

Date: 1-Sep-07