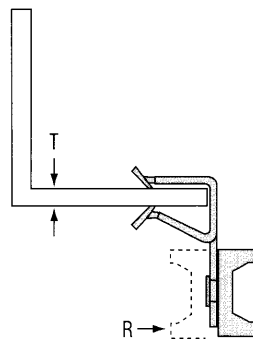
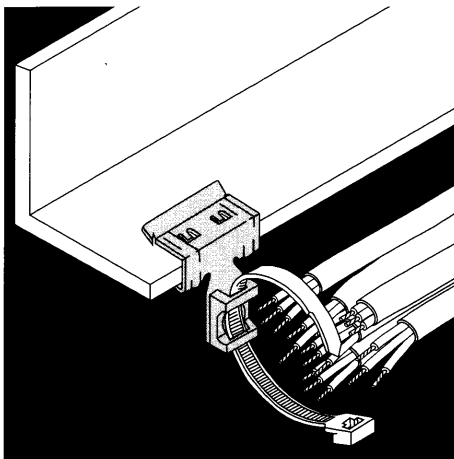
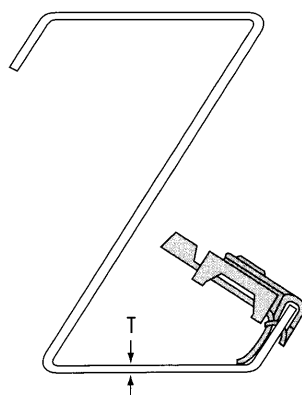
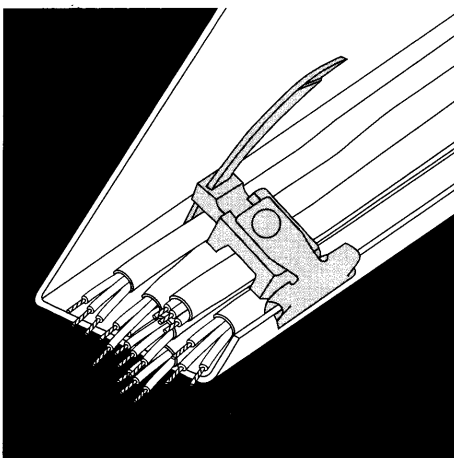
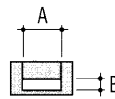


| REF | T (mm) | A (mm) | B (mm) | ⓕ | |
|-------------|-----------|-----------|-----------|----|----|
| AH153-CT2 | 1.5-3 | 200 | 7.6 | F8 | 25 |
| AH153-CT2R | 1.5-3 | 200 | 7.6 | F8 | 25 |
| AH153-CT4 | 1.5-3 | 370 | 7.6 | F8 | 25 |
| AH38-CT2 | 3-8 | 200 | 7.6 | F8 | 25 |
| AH38-CT2R | 3-8 | 200 | 7.6 | F8 | 25 |
| AH38-CT4 | 3-8 | 370 | 7.6 | F8 | 25 |
| AH814-CT2 | 8-14 | 200 | 7.6 | F8 | 25 |
| AH814-CT2R | 8-14 | 200 | 7.6 | F8 | 25 |
| AH814-CT4 | 8-14 | 370 | 7.6 | F8 | 25 |
| AH1420-CT2 | 14-20 | 200 | 7.6 | F8 | 25 |
| AH1420-CT2R | 14-20 | 200 | 7.6 | F8 | 25 |
| AH1420-CT24 | 14-20 | 370 | 7.6 | F8 | 25 |



| REF | T (mm) | A (mm) | B (mm) | ⓕ | |
|-----------|-----------|-----------|-----------|----|----|
| AH153-M | 1.5-3 | 9 | 3.5 | F8 | 25 |
| AH153-MR | 1.5-3 | 9 | 3.5 | F8 | 25 |
| AH38-M | 3-8 | 9 | 3.5 | F8 | 25 |
| AH38-MR | 3-8 | 9 | 3.5 | F8 | 25 |
| AH814-M | 8-14 | 9 | 3.5 | F8 | 25 |
| AH814-MR | 8-14 | 9 | 3.5 | F8 | 25 |
| AH1420-M | 14-20 | 9 | 3.5 | F8 | 25 |
| AH1420-MR | 14-20 | 9 | 3.5 | F8 | 25 |



| REF | T (mm) | A (mm) | B (mm) | ⓕ | |
|------------|-----------|-----------|-----------|----|----|
| AH153-CT2R | 1.5-3 | 200 | 7.6 | F8 | 25 |

