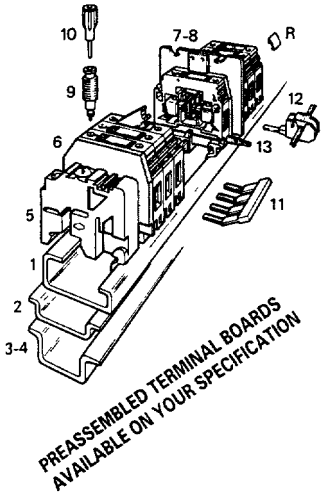


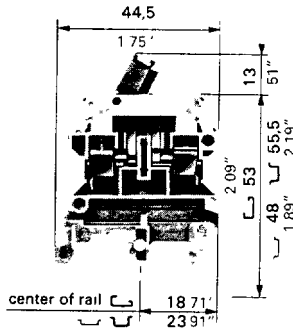
**Compression clamp
switch
terminal blocks
short blades**

* 147 488



**M 4/6.SN
M 4/6.SN2 M 4/6.SN3**

Spacing 6 mm + 0,05 (238")

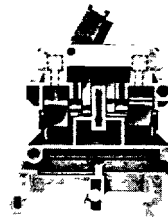


6 mm block - switch connection by blade

Type	Part number
Grey body, orange blade M 4/6.SN	115 214.11
Orange body, orange blade M 4/6.SN2	105 022 13
Grey body, light-grey blade M 4/6.SN3	115 404.11
Blue body Special order M4/6.SN	125 214.13

M 4/6.SNT

Spacing 6 mm + 0,05 (238")

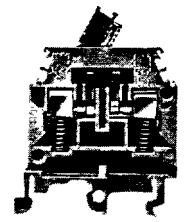


M 4/6 SN equipped with two test socket-screws

Type	Part number
Grey body, orange blade with test sockets, DIA. 2.0 mm/.079"	115 215.12
With test sockets, DIA. 2.3 mm/.091"	115 466.16

M 4/6.SNTS

Spacing 6 mm + 0,05 (238")



M 4/6 SN equipped with two test socket-screws with pressure spring under wire-clamp

Type	Part number
Grey body orange blade M 4/6.SNTS	115 229 20

Characteristics

Wire size (see generalities)	DIN-VDE	UL	CSA	NFC-UTE	DIN-VDE	UL	CSA	NFC-UTE	DIN-VDE	UL	CSA	NFC-UTE			
													Stranded wire	0-4 mm ²	22-12 AWG
Rated voltage V	~ AC	500 Gr C	600	300	500 Gr C	500 Gr C	600	300	500 Gr C	500 Gr C	600 Gr C	300	300	500 Gr C	500 Gr C
	= DC	600 Gr C			600 Gr C	600 Gr C			600 Gr C	600 Gr C				600 Gr C	600 Gr C
Rated current A		10	10	10	10	10	10	10	10	10	10	10	10	10	10
Rated wire size		4 mm ²	12 AWG	12 AWG	2,5 mm ²	4 mm ²	12 AWG	12 AWG	2,5 mm ²	4 mm ²	12 AWG	12 AWG	2,5 mm ²	4 mm ²	12 AWG

Other characteristics

Wire stripping length	Recommended screwdriver	Recommended torque	Protection	Wire stripping length	Recommended screwdriver	Recommended torque	Protection	Wire stripping length	Recommended screwdriver	Recommended torque	Protection
9,5 mm 37"	4 mm	0,4-0,6 Nm 3 5-5 3 lb in	IP 20 NEMA 1	9,5 mm 37"	4 mm	0,4-0,6 Nm 3 5-5 3 lb in	IP 20 NEMA 1	9,5 mm 37"	4 mm	0,4-0,6 Nm 3 5-5 3 lb in	IP 20 NEMA 1

Approvals (Contact Entelec)

UL	CE	RoHS	REACH	UL	CE	RoHS	REACH	UL	CE	RoHS	REACH
----	----	------	-------	----	----	------	-------	----	----	------	-------

Accessories

Type	Part number	Type	Part number	Type	Part number
1 Rail 32x15 DIN 1	PR1 Z2 163 050 04	PR1 Z2	163 050.04	PR1 Z2	163 050.04
2 Rail 35x7,5x1 DIN 3	PR30 prepunched 173 220 05	PR30 prepunched	173 220.05	PR30 prepunched	173 220.05
3 Rail 35x15x2,3 DIN 3	PR4 168 500.12	PR4	168 500.12	PR4	168 500.12
4 Rail 35x15x1,5	PR5 prepunched 101 598 26	PR5 prepunched	101 598.26	PR5 prepunched	101 598.26
5 End stop (all rails)	BAM th 9,1 mm 103 002.26	BAM th 9,1 mm	103 002.26	BAM th 9,1 mm	103 002.26
6 End section grey	FEM6 th 2,5 mm 118 368.16	FEM6 th 2,5 mm	118 368.16	FEM6 th 2,5 mm	118 368.16
	FEM6 th 2,5 mm 103 126.16	FEM6 th 2,5 mm	103 126.16	FEM6 th 2,5 mm	118 368.16
7 Separator end section (block) grey	SCF6 th 3 mm 118 707 03	SCF6 th. 3 mm	118 707 03	SCF6 th. 3 mm	118 707 03
8 Separator end section (rail) grey	SCFM6 th. 3 mm 114 825.05	SCFM6 th 3 mm	114 825.05	SCFM6 th 3 mm	114 825.05
9 Test device	DCJ yellow 173 059.03	DCJ	173 059.03	DCJ	173 059.03
10 Test plug	FC (see access)	FC	(see access)	FC	(see access)
11 Comb type jumper bar	PC61 10 poles 163 311 22	PC61 10 poles	163 311.22	PC61 10 poles	163 311.22
12 IDC jumper	AD2,5 114 205.20	AD2,5	114 205.20	AD2,5	114 205.20
13 Shielding connector	CBM (see access)	CBM	(see access)	CBM	(see access)

R See markers and other accessories Marking method

①

①

①