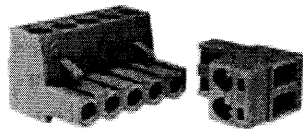
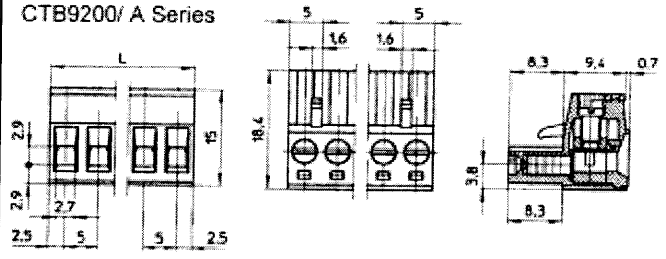
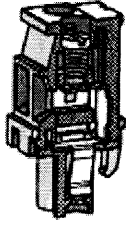


5mm Pitch Plug-in (GREEN) Rising Clamp Terminal																					
<p style="text-align: center;">Features</p> <ul style="list-style-type: none"> ● 2-12 pole solid block ● Plug in ● Open & closed headers ● Horizontal female plug style ● Polarised mouldings ● Moulded in green UL94-V0 flame retardant PA66 ● Professional rising clamp terminals ● 2.5mm² cable entry ● , IMQ & CE approved ● cUL applied ● Anti solder wicking ● Captive screws ● Guided pin alignment 	<p style="text-align: center;">Specification</p> <table border="1" style="width: 100%; border-collapse: collapse;"> <tr><td>Rating</td><td>12A/380V</td></tr> <tr><td>Dielectric strength</td><td>•2.5kV/60sec</td></tr> <tr><td>Insulation resistance</td><td>•5M•</td></tr> <tr><td>Working temperature</td><td>-20°C to 125°C</td></tr> <tr><td>Short period</td><td>160°C</td></tr> <tr><td>Moulding</td><td>UL94-V0 flame retardant PA66</td></tr> <tr><td>Pin/terminal</td><td>5µ tinned phosphor bronze</td></tr> <tr><td>Rising clamp</td><td>5µ nickel copper flash brass</td></tr> <tr><td>Screw/torque</td><td>M3 steel, 6µ zinc, colour passivated and tropicalised/0.5Nm</td></tr> <tr><td>Recommended PCB hole size</td><td>ø1.4mm</td></tr> </table>	Rating	12A/380V	Dielectric strength	•2.5kV/60sec	Insulation resistance	•5M•	Working temperature	-20°C to 125°C	Short period	160°C	Moulding	UL94-V0 flame retardant PA66	Pin/terminal	5µ tinned phosphor bronze	Rising clamp	5µ nickel copper flash brass	Screw/torque	M3 steel, 6µ zinc, colour passivated and tropicalised/0.5Nm	Recommended PCB hole size	ø1.4mm
Rating	12A/380V																				
Dielectric strength	•2.5kV/60sec																				
Insulation resistance	•5M•																				
Working temperature	-20°C to 125°C																				
Short period	160°C																				
Moulding	UL94-V0 flame retardant PA66																				
Pin/terminal	5µ tinned phosphor bronze																				
Rising clamp	5µ nickel copper flash brass																				
Screw/torque	M3 steel, 6µ zinc, colour passivated and tropicalised/0.5Nm																				
Recommended PCB hole size	ø1.4mm																				

Female connector																																																																										
	<table border="1" style="width: 100%; border-collapse: collapse;"> <thead> <tr> <th>Type No.</th> <th>Poles</th> <th>Length</th> </tr> </thead> <tbody> <tr><td>CTB9200/2A</td><td>2</td><td>10mm</td></tr> <tr><td>CTB9200/3A</td><td>3</td><td>15mm</td></tr> <tr><td>CTB9200/4A</td><td>4</td><td>20mm</td></tr> <tr><td>CTB9200/5A</td><td>5</td><td>25mm</td></tr> <tr><td>CTB9200/6A</td><td>6</td><td>30mm</td></tr> <tr><td>CTB9200/7A</td><td>7</td><td>35mm</td></tr> <tr><td>CTB9200/8A</td><td>8</td><td>40mm</td></tr> <tr><td>CTB9200/9A</td><td>9</td><td>45mm</td></tr> <tr><td>CTB9200/10A</td><td>10</td><td>50mm</td></tr> <tr><td>CTB9200/11A</td><td>11</td><td>55mm</td></tr> <tr><td>CTB9200/12A</td><td>12</td><td>60mm</td></tr> <tr><td>CTB9200/13A</td><td>13</td><td>65mm</td></tr> <tr><td>CTB9200/14A</td><td>14</td><td>70mm</td></tr> <tr><td>CTB9200/15A</td><td>15</td><td>75mm</td></tr> <tr><td>CTB9200/16A</td><td>16</td><td>80mm</td></tr> <tr><td>CTB9200/17A</td><td>17</td><td>85mm</td></tr> <tr><td>CTB9200/18A</td><td>18</td><td>90mm</td></tr> <tr><td>CTB9200/19A</td><td>19</td><td>95mm</td></tr> <tr><td>CTB9200/20A</td><td>20</td><td>100mm</td></tr> <tr><td>CTB9200/21A</td><td>21</td><td>105mm</td></tr> <tr><td>CTB9200/22A</td><td>22</td><td>110mm</td></tr> <tr><td>CTB9200/23A</td><td>23</td><td>115mm</td></tr> <tr><td>CTB9200/24A</td><td>24</td><td>120mm</td></tr> </tbody> </table>		Type No.	Poles	Length	CTB9200/2A	2	10mm	CTB9200/3A	3	15mm	CTB9200/4A	4	20mm	CTB9200/5A	5	25mm	CTB9200/6A	6	30mm	CTB9200/7A	7	35mm	CTB9200/8A	8	40mm	CTB9200/9A	9	45mm	CTB9200/10A	10	50mm	CTB9200/11A	11	55mm	CTB9200/12A	12	60mm	CTB9200/13A	13	65mm	CTB9200/14A	14	70mm	CTB9200/15A	15	75mm	CTB9200/16A	16	80mm	CTB9200/17A	17	85mm	CTB9200/18A	18	90mm	CTB9200/19A	19	95mm	CTB9200/20A	20	100mm	CTB9200/21A	21	105mm	CTB9200/22A	22	110mm	CTB9200/23A	23	115mm	CTB9200/24A	24	120mm
Type No.	Poles	Length																																																																								
CTB9200/2A	2	10mm																																																																								
CTB9200/3A	3	15mm																																																																								
CTB9200/4A	4	20mm																																																																								
CTB9200/5A	5	25mm																																																																								
CTB9200/6A	6	30mm																																																																								
CTB9200/7A	7	35mm																																																																								
CTB9200/8A	8	40mm																																																																								
CTB9200/9A	9	45mm																																																																								
CTB9200/10A	10	50mm																																																																								
CTB9200/11A	11	55mm																																																																								
CTB9200/12A	12	60mm																																																																								
CTB9200/13A	13	65mm																																																																								
CTB9200/14A	14	70mm																																																																								
CTB9200/15A	15	75mm																																																																								
CTB9200/16A	16	80mm																																																																								
CTB9200/17A	17	85mm																																																																								
CTB9200/18A	18	90mm																																																																								
CTB9200/19A	19	95mm																																																																								
CTB9200/20A	20	100mm																																																																								
CTB9200/21A	21	105mm																																																																								
CTB9200/22A	22	110mm																																																																								
CTB9200/23A	23	115mm																																																																								
CTB9200/24A	24	120mm																																																																								
<p>CTB9200/ A Series</p>  <p style="text-align: right; font-size: small;">click to enlarge</p>																																																																										

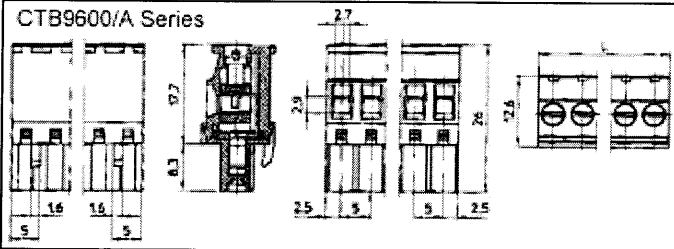
Vertical female connector



AVAILABLE
MARCH 2000

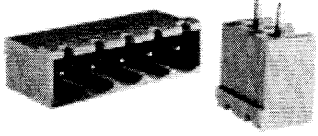
Type No.	Poles	Length
CTB9600/2	2	10mm
CTB9600/3	3	15mm
CTB9600/4	4	20mm
CTB9600/5	5	25mm
CTB9600/6	6	30mm
CTB9600/7	7	35mm
CTB9600/8	8	40mm
CTB9600/9	9	45mm
CTB9600/10	10	50mm
CTB9600/11	11	55mm
CTB9600/12	12	60mm
CTB9600/13	13	65mm
CTB9600/14	14	70mm
CTB9600/15	15	75mm
CTB9600/16	16	80mm
CTB9600/17	17	85mm
CTB9600/18	18	90mm
CTB9600/19	19	95mm
CTB9600/20	20	100mm
CTB9600/21	21	105mm
CTB9600/22	22	110mm
CTB9600/23	23	115mm
CTB9600/24	24	120mm

CTB9600/A Series



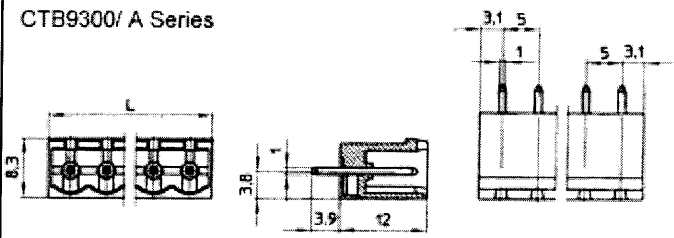
[click to enlarge](#)

PCB mounting male vertical (closed ended)



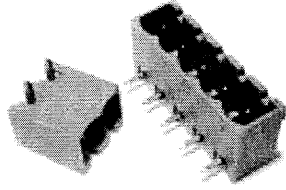
Type No.	Poles	Length
CTB9300/2A	2	11.2mm
CTB9300/3A	3	16.2mm
CTB9300/4A	4	21.2mm
CTB9300/5A	5	26.2mm
CTB9300/6A	6	31.2mm
CTB9300/7A	7	36.2mm
CTB9300/8A	8	41.2mm
CTB9300/9A	9	46.2mm
CTB9300/10A	10	51.2mm
CTB9300/11A	11	56.2mm
CTB9300/12A	12	61.2mm
CTB9300/13A	13	66.2mm
CTB9300/14A	14	71.2mm
CTB9300/15A	15	76.2mm
CTB9300/16A	16	81.2mm
CTB9300/17A	17	86.2mm
CTB9300/18A	18	91.2mm
CTB9300/19A	19	96.2mm
CTB9300/20A	20	101.2mm
CTB9300/21A	21	106.2mm
CTB9300/22A	22	111.2mm
CTB9300/23A	23	116.2mm
CTB9300/24A	24	121.2mm

CTB9300/ A Series

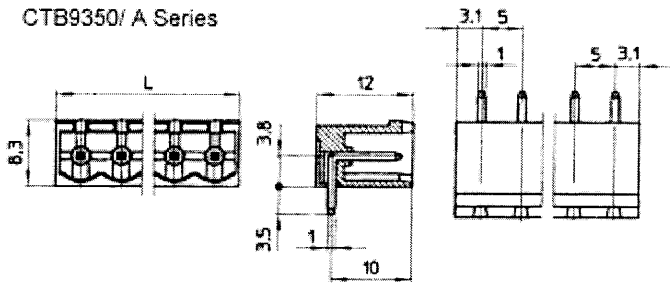


[click to enlarge](#)

PCB mounting male horizontal (closed ended)



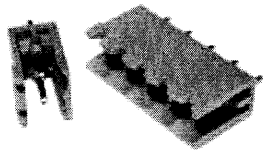
CTB9350/ A Series



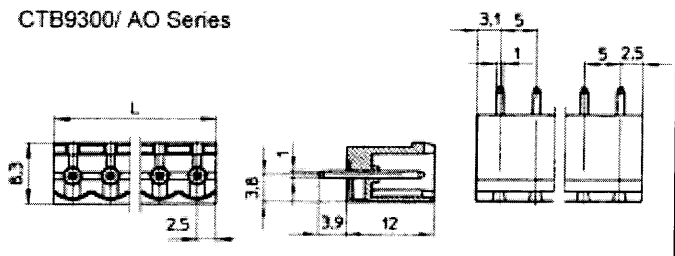
[click to enlarge](#)

Type No.	Poles	Length
CTB9350/2A	2	11.2mm
CTB9350/3A	3	16.2mm
CTB9350/4A	4	21.2mm
CTB9350/5A	5	26.2mm
CTB9350/6A	6	31.2mm
CTB9350/7A	7	36.2mm
CTB9350/8A	8	41.2mm
CTB9350/9A	9	46.2mm
CTB9350/10A	10	51.2mm
CTB9350/11A	11	56.2mm
CTB9350/12A	12	61.2mm
CTB9350/13A	13	66.2mm
CTB9350/14A	14	71.2mm
CTB9350/15A	15	76.2mm
CTB9350/16A	16	81.2mm
CTB9350/17A	17	86.2mm
CTB9350/18A	18	91.2mm
CTB9350/19A	19	96.2mm
CTB9350/20A	20	101.2mm
CTB9350/21A	21	106.2mm
CTB9350/22A	22	111.2mm
CTB9350/23A	23	116.2mm
CTB9350/24A	24	121.2mm

PCB mounting male vertical (open ended)



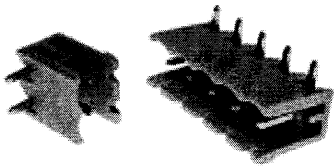
CTB9300/ AO Series



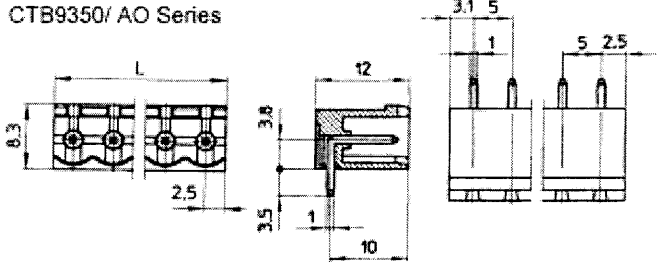
[click to enlarge](#)

Type No.	Poles	Length
CTB9300/2AO	2	10mm
CTB9300/3AO	3	15mm
CTB9300/4AO	4	20mm
CTB9300/5AO	5	25mm
CTB9300/6AO	6	30mm
CTB9300/7AO	7	35mm
CTB9300/8AO	8	40mm
CTB9300/9AO	9	45mm
CTB9300/10AO	10	50mm
CTB9300/11AO	11	55mm
CTB9300/12AO	12	60mm
CTB9300/13AO	13	65mm
CTB9300/14AO	14	70mm
CTB9300/15AO	15	75mm
CTB9300/16AO	16	80mm
CTB9300/17AO	17	85mm
CTB9300/18AO	18	90mm
CTB9300/19AO	19	95mm
CTB9300/20AO	20	100mm
CTB9300/21AO	21	105mm
CTB9300/22AO	22	110mm
CTB9300/23AO	23	115mm
CTB9300/24AO	24	120mm

PCB mounting male horizontal (open ended)



CTB9350/ AO Series



click to enlarge

Type No.	Poles	Length
CTB9350/2AO	2	10mm
CTB9350/3AO	3	15mm
CTB9350/4AO	4	20mm
CTB9350/5AO	5	25mm
CTB9350/6AO	6	30mm
CTB9350/7AO	7	35mm
CTB9350/8AO	8	40mm
CTB9350/9AO	9	45mm
CTB9350/10AO	10	50mm
CTB9350/11AO	11	55mm
CTB9350/12AO	12	60mm
CTB9350/13AO	13	65mm
CTB9350/14AO	14	70mm
CTB9350/15AO	15	75mm
CTB9350/16AO	16	80mm
CTB9350/17AO	17	85mm
CTB9350/18AO	18	90mm
CTB9350/19AO	19	95mm
CTB9350/20AO	20	100mm
CTB9350/21AO	21	105mm
CTB9350/22AO	22	110mm
CTB9350/23AO	23	115mm
CTB9350/24AO	24	120mm

- www.camden-electronics.co.uk -