

E = EXTENDED ACTUATOR
 R = SIDE ACTUATOR
 G = GOLD CONTACTS
 B = BLACK ACTUATOR
 L = GULL WING STYLE SURFACE MOUNT
 S = J-LEAD STYLE SURFACE MOUNT

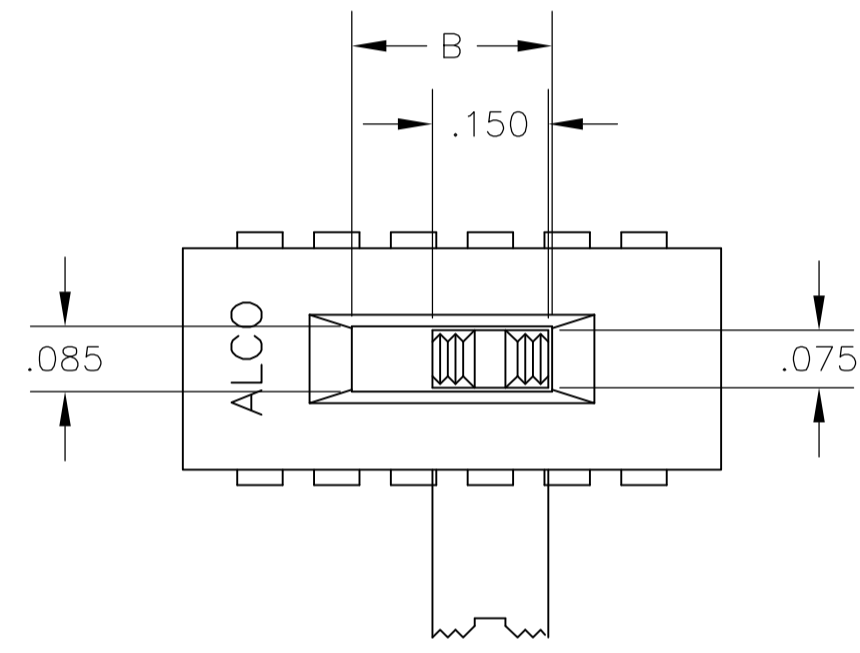
SPECIFICATIONS:

MATERIAL:
 BASE & COVER - UL94V-0, BLUE.
 ACTUATOR - NYLONPA46 UL94V-0, NATURAL.
 MOVING CONTACT - COPPER ALLOY, SILVER OR GOLD OVER NICKEL.
 FIXED CONTACT - COPPER ALLOY SILVER OR GOLD OVER NICKEL.
 TERMINAL - COPPER ALLOY TIN OVER NICKEL.
 PACKAGING - 22" ANTI STATIC TUBE.

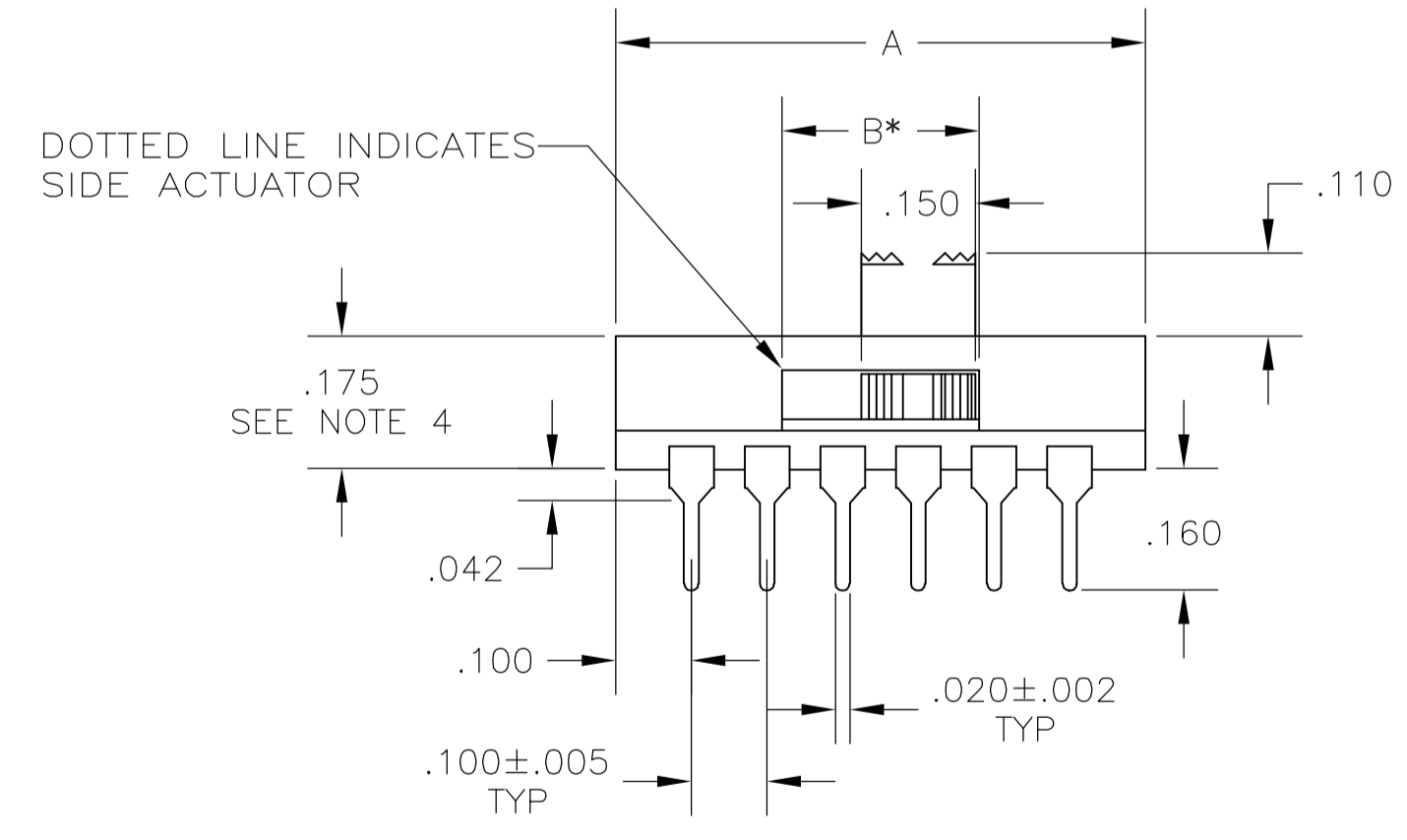
ENVIRONMENTAL:
 OPERATING TEMPERATURE: -40°F TO +176°C TO +80°C).
 PROCESS CLEANING: WILL WITHSTAND AQUEOUS OR SOLVENT CLEANING PROCESSES.
 SOLDER HEAT RESISTANCE PER 109-202, COND (THRU-HOLE) & 109-201, COND B(SMT)
 SOLDERABILITY PER EIA 364-52 CLASS 2 CATEGORY 1

NOTES: UNLESS OTHERWISE SPECIFIED

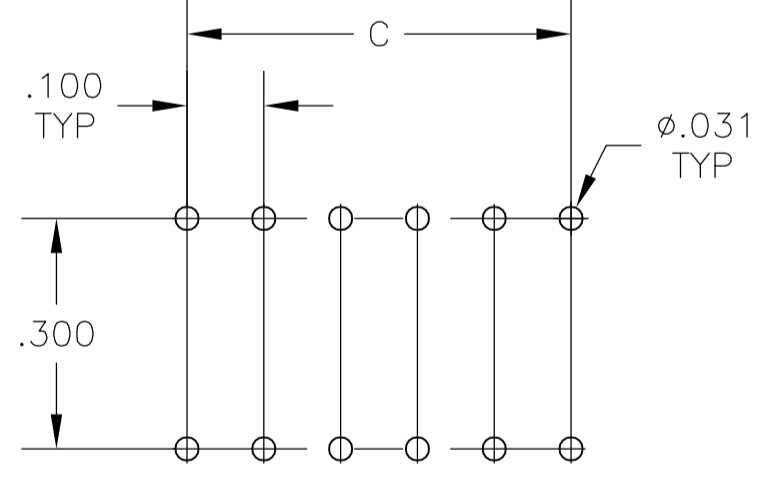
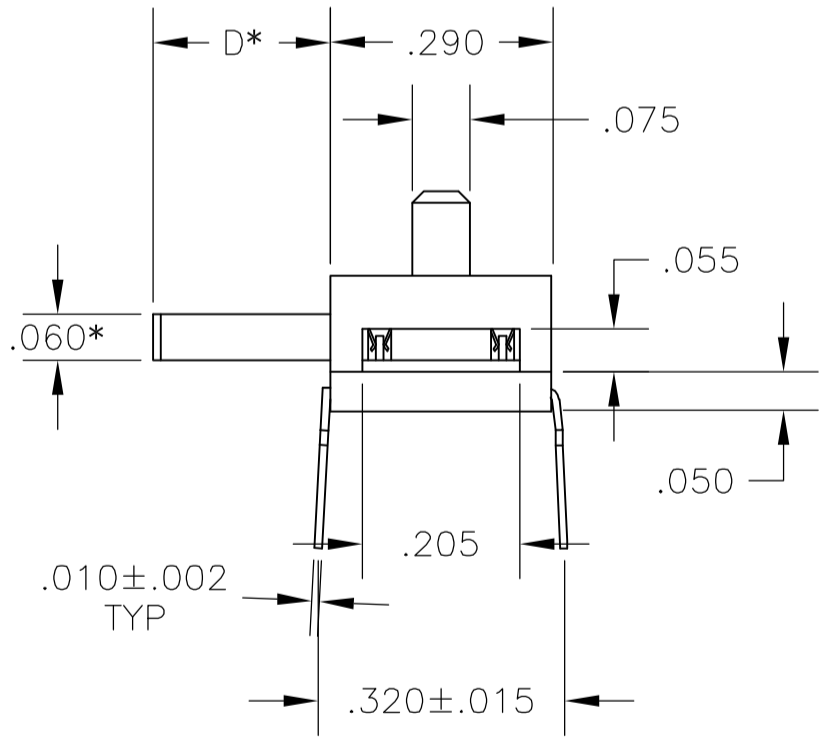
- ALL MATERIAL AND FINISHES SHALL COMPLY WITH EU DIRECTIVE 2002/95/EC OF 27JAN2003 (ROHS)
- STANDARD PRODUCT (AFTER WELD) HEIGHT IS ALLOWED UP TO .180 IN. ALL SWITCH "SPECIAL" MUST MAINTAIN .178 MAX. (AFTER WELD) HEIGHT



* SIDE ACTUATOR ONLY.



ASE



PRINTED CIRCUIT BOARD HOLE PATTERN

TYCO P/N	Old T&B P/N	Function	Actuation	Mounting style	Finish	Dim A	Dim B	Dim C	Dim D
4-1825010-8	ASE62RS04	6PDT	SIDE	SMT	SILVER	1.000	0.260	0.800	0.230
4-1825010-7	ASE62RGS04	6PDT	SIDE	SMT	GOLD	1.000	0.260	0.800	0.230
4-1825010-6	ASE62RL04	6PDT	SIDE	SMT	SILVER	1.000	0.260	0.800	0.230
4-1825010-5	ASE62RGL04	6PDT	SIDE	SMT	GOLD	1.000	0.260	0.800	0.230
4-1825010-4	ASE62S04	6PDT	TOP	SMT	SILVER	1.000	0.260	0.800	0.230
4-1825010-3	ASE62GS04	6PDT	TOP	SMT	GOLD	1.000	0.260	0.800	0.230
4-1825010-2	ASE62L04	6PDT	TOP	SMT	SILVER	1.000	0.260	0.800	0.230
4-1825010-1	ASE62GL04	6PDT	TOP	SMT	GOLD	1.000	0.260	0.800	0.230
4-1825010-0	ASE62RG04	6PDT	SIDE	THRU-HOLE	GOLD	1.000	0.260	0.800	0.230
3-1825010-9	ASE62R04	6PDT	SIDE	THRU-HOLE	SILVER	1.000	0.260	0.800	0.230
3-1825010-8	ASE62G04	6PDT	TOP	THRU-HOLE	GOLD	1.000	0.260	0.800	0.230
3-1825010-7	ASE6204	6PDT	TOP	THRU-HOLE	SILVER	1.000	0.260	0.800	0.230
3-1825010-6	ASE43RS04	4P3T	SIDE	SMT	SILVER	1.100	0.360	0.900	0.230
3-1825010-5	ASE43RGS04	4P3T	SIDE	SMT	GOLD	1.100	0.360	0.900	0.230
3-1825010-4	ASE43RL04	4P3T	SIDE	SMT	SILVER	1.100	0.360	0.900	0.230
3-1825010-3	ASE43RGL04	4P3T	SIDE	SMT	GOLD	1.100	0.360	0.900	0.230
3-1825010-2	ASE43S04	4P3T	TOP	SMT	SILVER	1.100	0.360	0.900	0.230
3-1825010-1	ASE43GS04	4P3T	TOP	SMT	GOLD	1.100	0.360	0.900	0.230
3-1825010-0	ASE43L04	4P3T	TOP	SMT	SILVER	1.100	0.360	0.900	0.230
2-1825010-9	ASE43GL04	4P3T	TOP	SMT	GOLD	1.100	0.360	0.900	0.230
2-1825010-8	ASE43RG04	4P3T	SIDE	THRU-HOLE	GOLD	1.100	0.360	0.900	0.230
2-1825010-7	ASE43R04	4P3T	SIDE	THRU-HOLE	SILVER	1.100	0.360	0.900	0.230
2-1825010-6	ASE43G04	4P3T	TOP	THRU-HOLE	GOLD	1.100	0.360	0.900	0.230
2-1825010-5	ASE4304	4P3T	TOP	THRU-HOLE	SILVER	1.100	0.360	0.900	0.230
2-1825010-4	ASE42RS04	4PDT	SIDE	SMT	SILVER	0.700	0.260	0.500	0.230
2-1825010-3	ASE42RGS04	4PDT	SIDE	SMT	GOLD	0.700	0.260	0.500	0.230
2-1825010-2	ASE42RL04	4PDT	SIDE	SMT	SILVER	0.700	0.260	0.500	0.230
2-1825010-1	ASE42RGL04	4PDT	SIDE	SMT	GOLD	0.700	0.260	0.500	0.230
2-1825010-0	ASE42S04	4PDT	TOP	SMT	SILVER	0.700	0.260	0.500	0.230
1-1825010-9	ASE42GS04	4PDT	TOP	SMT	GOLD	0.700	0.260	0.500	0.230
1-1825010-8	ASE42L04	4PDT	TOP	SMT	SILVER	0.700	0.260	0.500	0.230
1-1825010-7	ASE42GL04	4PDT	TOP	SMT	GOLD	0.700	0.260	0.500	0.230
1-1825010-6	ASE42RG04	4PDT	SIDE	THRU-HOLE	GOLD	0.700	0.260	0.500	0.230
1-1825010-5	ASE42R04	4PDT	SIDE	THRU-HOLE	SILVER	0.700	0.260	0.500	0.230
1-1825010-4	ASE42G04	4PDT	TOP	THRU-HOLE	GOLD	0.700	0.260	0.500	0.230
1-1825010-3	ASE4204	4PDT	TOP	THRU-HOLE	SILVER	0.700	0.260	0.500	0.230
1-1825010-2	ASE22RS04	DPDT	SIDE	SMT	SILVER	0.400	0.260	0.200	0.105
1-1825010-1	ASE22RGS04	DPDT	SIDE	SMT	GOLD	0.400	0.260	0.200	0.105
1-1825010-0	ASE22RL04	DPDT	SIDE	SMT	SILVER	0.400	0.260	0.200	0.105
1825010-9	ASE22RGL04	DPDT	SIDE	SMT	GOLD	0.400	0.260	0.200	0.105
1825010-8	ASE22S04	DPDT	TOP	SMT	SILVER	0.400	0.260	0.200	0.105
1825010-7	ASE22GS04	DPDT	TOP	SMT	GOLD	0.400	0.260	0.200	0.105
1825010-6	ASE22L04	DPDT	TOP	SMT	SILVER	0.400	0.260	0.200	0.105
1825010-5	ASE22GL04	DPDT	TOP	SMT	GOLD	0.400	0.260	0.200	0.105
1825010-4	ASE22RG04	DPDT	SIDE	THRU-HOLE	GOLD	0.400	0.260	0.200	0.105
1825010-3	ASE22R04	DPDT	SIDE	THRU-HOLE	SILVER	0.400	0.260	0.200	0.105
1825010-2	ASE22G04	DPDT	TOP	THRU-HOLE	GOLD	0.400	0.260	0.200	0.105
1825010-1	ASE2204	DPDT	TOP	THRU-HOLE	SILVER	0.400	0.260	0.200	0.105
TYCO P/N	Old T&B P/N	Function	Actuation	Mounting style	Finish	Dim A	Dim B	Dim C	Dim D

THIS DRAWING IS A CONTROLLED DOCUMENT.

DIMENSIONS: INCHES	TOLERANCES UNLESS OTHERWISE SPECIFIED:	0 PLC ± -	1 PLC ± -	2 PLC ± -	3 PLC ± -	4 PLC ± .010	ANGLES ± 1'
--------------------	--	-----------	-----------	-----------	-----------	--------------	-------------

MATERIAL: - FINISH: -

APPROVED: M.S. SARVER

NAME: M.S. SARVER

PRODUCT SPEC: -

APPLICATION SPEC: -

WEIGHT: -

CUSTOMER DRAWING: -

SCALE: 4:1

SHEET: 1 OF 2

REV: 0

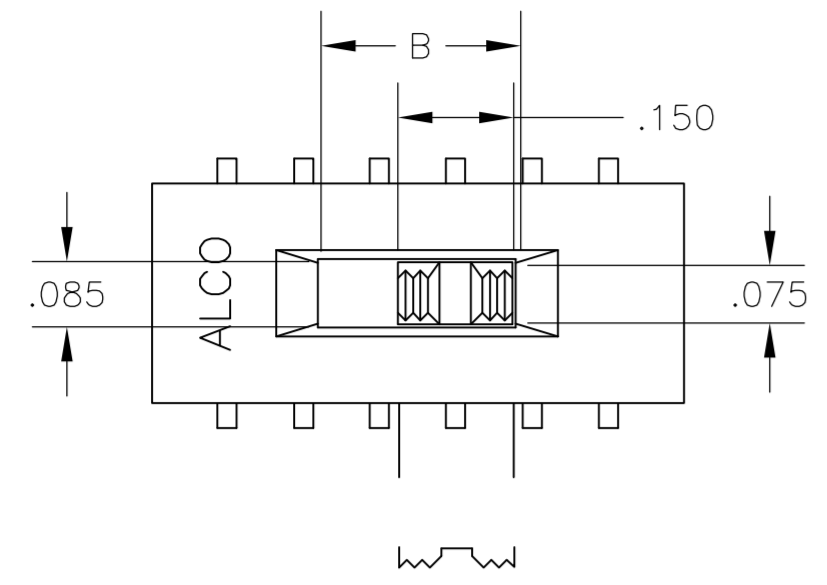
TYCO Electronics Corporation
 Harrisburg, Pa 17105-3608

SLIDE SWITCH ASE/ASF, AUTO-INSERTABLE, THRU-HOLE AND SURFACE MOUNT

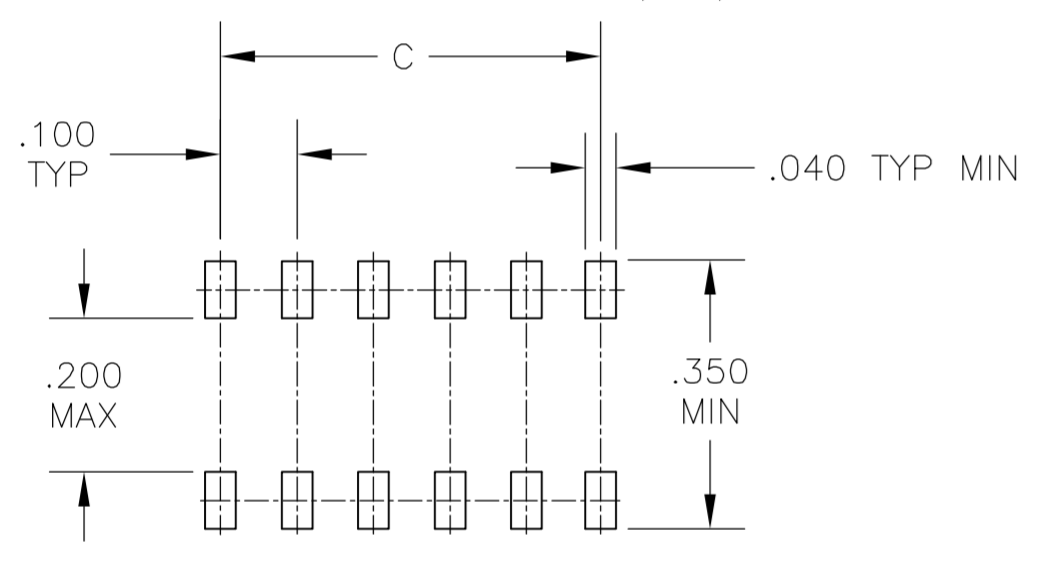
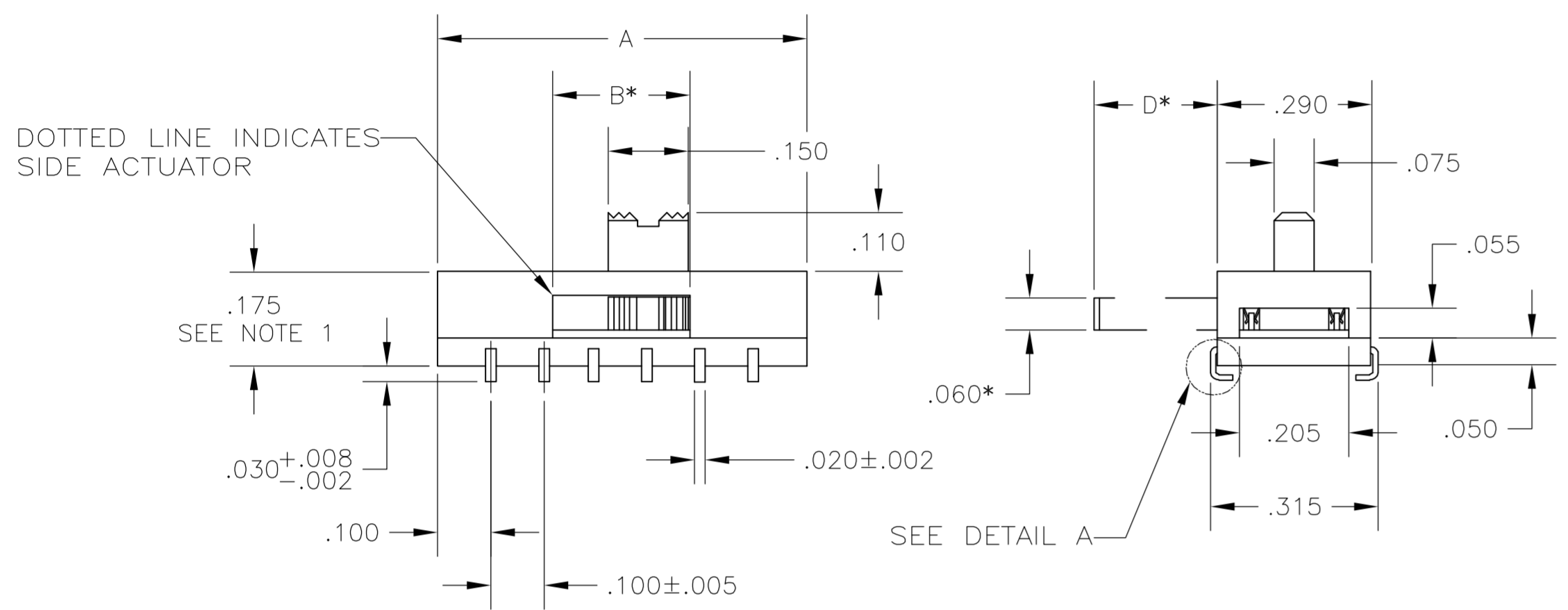
SIZE: A1

CAGE CODE: 00779

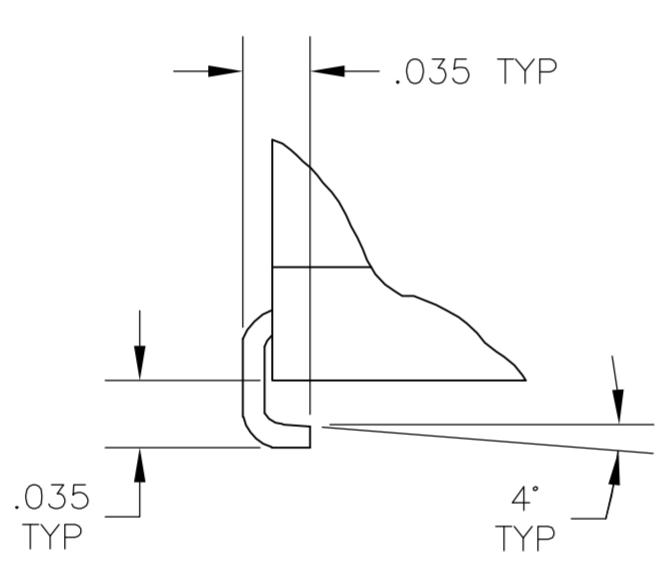
DRAWING NO: 1825010



* SIDE ACTUATOR ONLY.

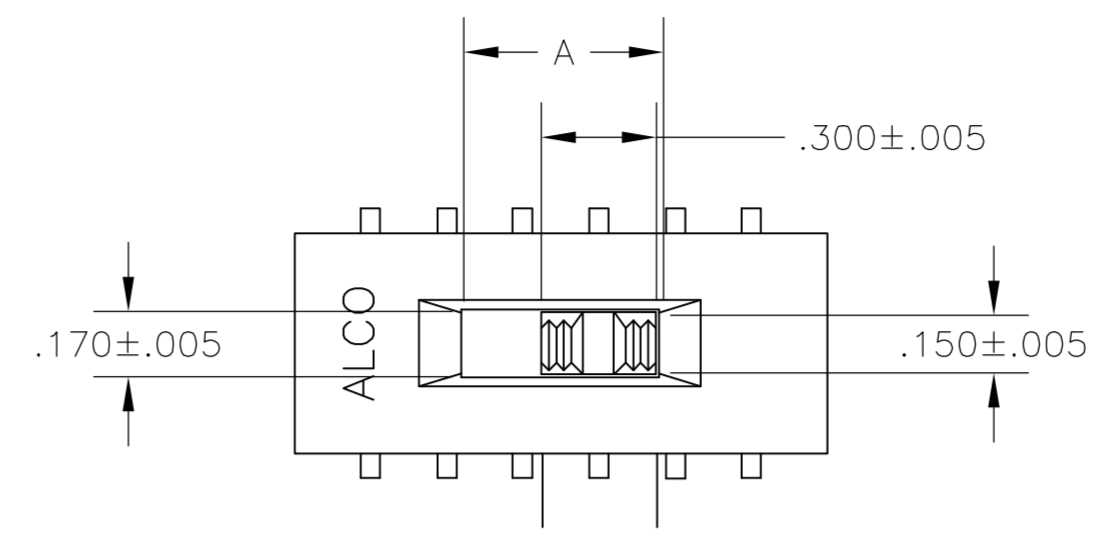


PRINTED CIRCUIT BOARD
PAD LAYOUT

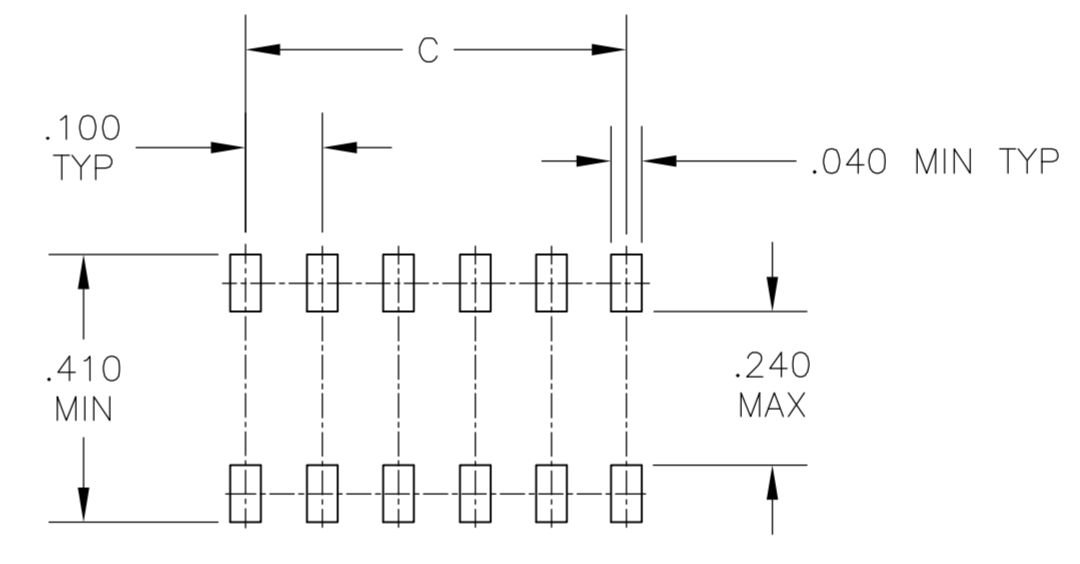
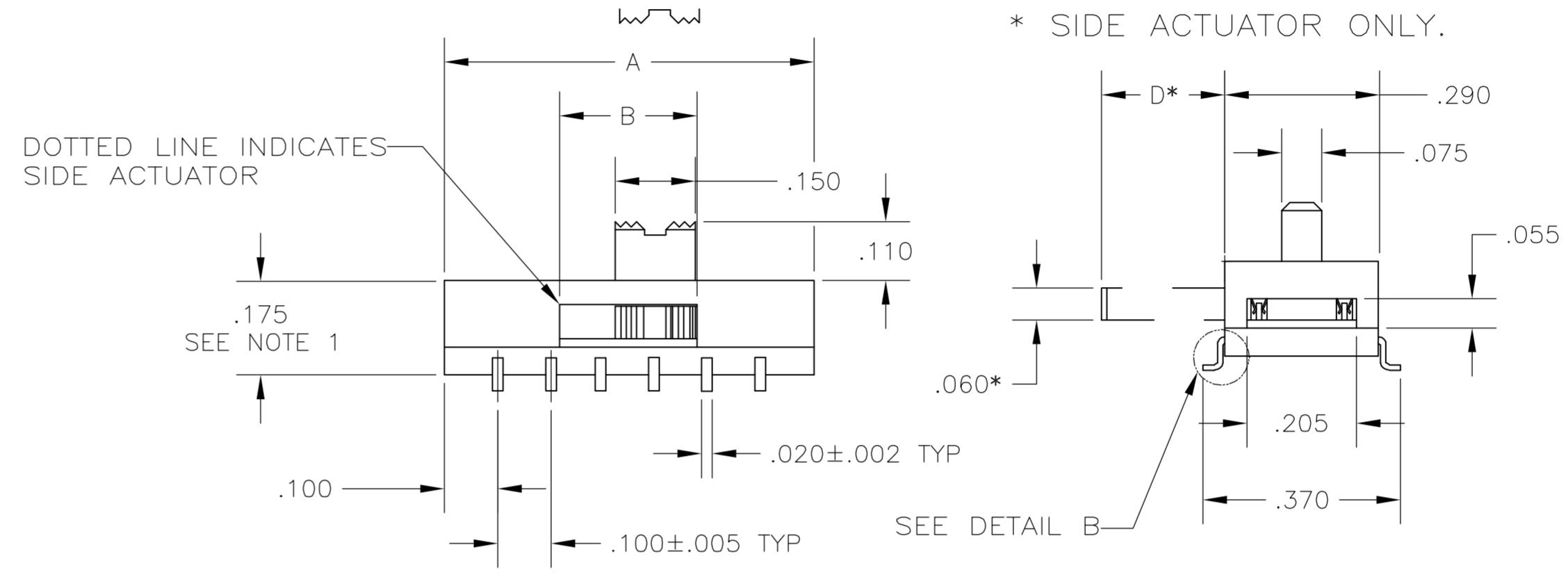


DETAIL A
SCALE 10:1

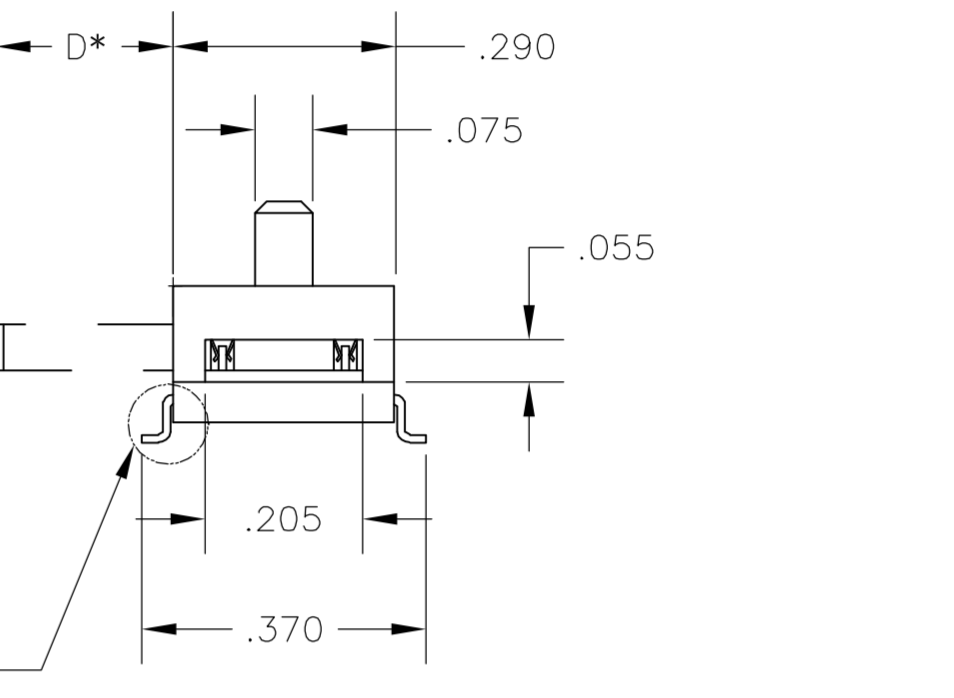
”S” J-LEAD TYPE SURFACE MOUNT



* SIDE ACTUATOR ONLY.



PRINTED CIRCUIT BOARD
PAD LAYOUT



DETAIL B
SCALE 10:1

”L” GULL WING TYPE SURFACE MOUNT

THIS DRAWING IS A CONTROLLED DOCUMENT.		DWN B.S.VISWESWARA	15FEB05		Tyco Electronics Corporation Harrisburg, Pa 17105-3608	
DIMENSIONS: INCHES		CHK M.S.SARVER	NAME M.S.SARVER		PRODUCT SPEC	
TOLERANCES UNLESS OTHERWISE SPECIFIED:		APPLICATION SPEC		SLIDE SWITCH ASE/ASF, AUTO-INSERTABLE, THRU-HOLE AND SURFACE MOUNT		
0 PLC ± -		SIZE		RESTRICTED TO		
1 PLC ± -		CAGE CODE		-		
2 PLC ± -		DRAWING NO		-		
3 PLC ± .010		A1 00779		C=1825010		
4 PLC ± -		WEIGHT		-		
ANGLES ± 1°		CUSTOMER DRAWING		SCALE 4:1 SHEET 2 OF 2 REV 0		