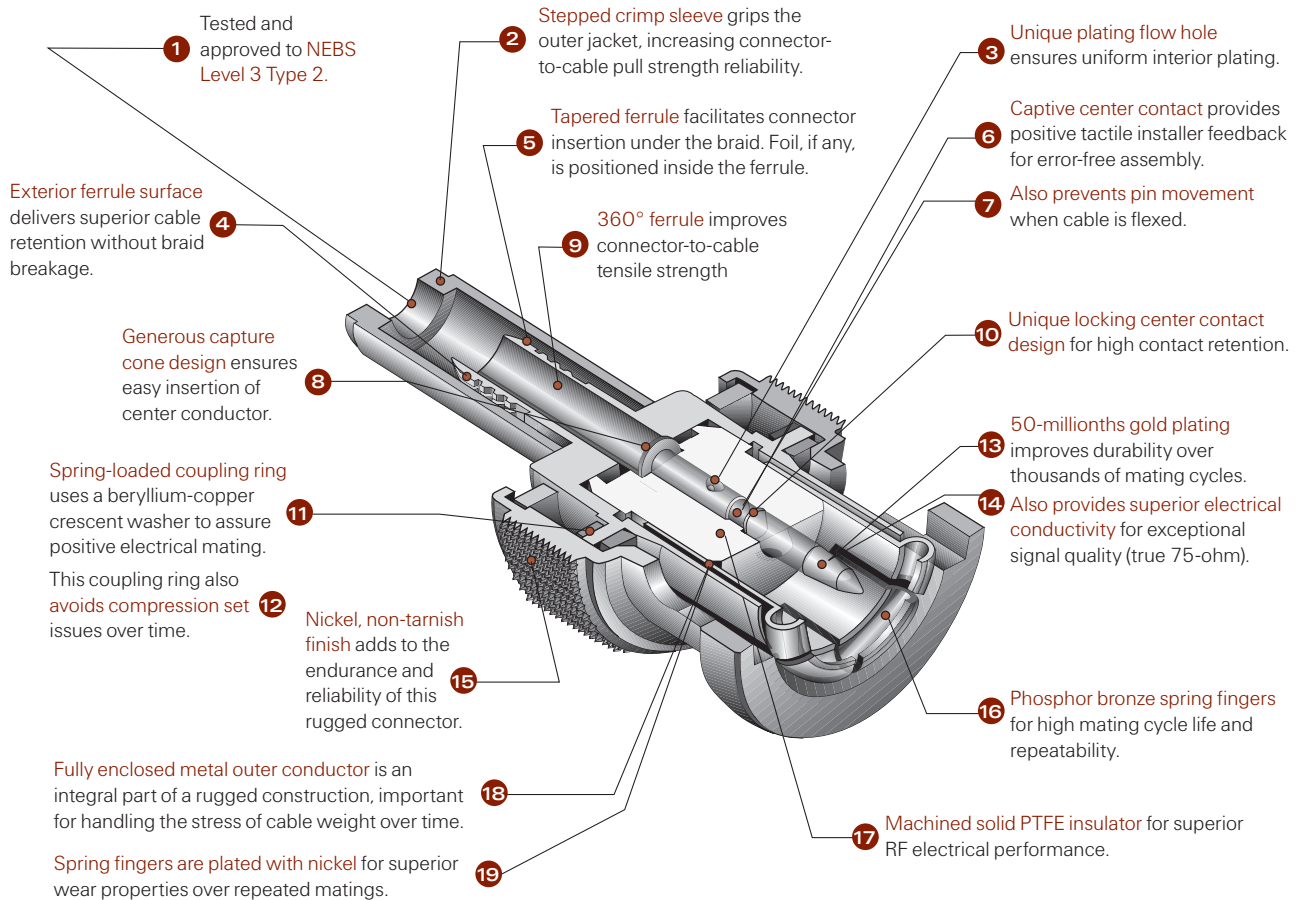


BNC Coax Connector Introduction

Trompeter's BNC Coax Tool Crimp Connector

19 reasons why our BNC connectors outperform the competition every time!



BNC Coax Wrench Crimp Connector

Wrench Crimp Features

- 3-piece construction
- Captive center contact pin in cone assembly
- Spring-loaded coupling ring using a beryllium-copper crescent washer
- Freely rotating captured insert inside the clamp-nut assembly
- Stepped captured insert inside the clamp-nut assembly
- 360° metal-to-metal, sandwich braid capture of the outer-braid-to-cone assembly. (No insulation between the clamping surfaces)
- Machined barb on the end of the cone assembly

Hermetically Sealed Coax Connectors available, contact the factory.

Wrench Crimp Benefits

- Faster, easier assembly
- Prevents pistoning of the center contact when cable is flexed. Does not rely on cable for positioning.
- Pre-loading the ring assures positive full mating. Reduces intermittences and rocking of mated connector. Assures mating in rugged applications.
- Permits braid and jacket clamping without rotary movement. Prevents breaking the center conductor. Prevents twisting/tearing the braid. Increases connector-to-cable tensile pull-strength.
- Grips the cable's outer jacket (25% of cable strength). Increases connector-to-cable tensile pull-strength.
- Provides a true metal-to-metal continuous shield which minimizes EMI/RFI, PTFE; jacket cold-flow problems. Increases connector-to-cable tensile pull-strength.
- Grabs the inside of the cable braid for easier assembly. Enhances the strength of the braid and jacket clamp.



MINIATURE COAX 20/220 SERIES BNC PLUGS & JACKS

UPL220 Shown

CABLE PLUG 50Ω **PL220-**

TOOL CRIMP 75Ω **UPL220-**

PL20-1 Shown

CABLE PLUG 50Ω **PL20-**

WRENCH CRIMP 75Ω **UPL20-**

PL21-1 Shown

BULKHEAD PLUG 50Ω **PL21**

FRONT MOUNT, SOLDER POT 75Ω **UPL21**

W/ SOLDER LUG 50Ω **PL21SL**

75Ω **UPL21SL**

Mounting Hole: C2.085

CABLE PLUG 75Ω **UPLR220-**

90° RIGHT ANGLE, FULL CRIMP

CABLE PLUG 75Ω **UPLFF220-**

45° ANGLE, FULL CRIMP

CABLE JACK 50Ω **CJ20-**

WRENCH CRIMP 75Ω **UCJ20-**

CJ220-001 Shown

CABLE JACK 50Ω **CJ220-**

TOOL CRIMP 75Ω **UCJ220-**

BULKHEAD 50Ω **BJ220-**

CABLE JACK 75Ω **UBJ220-**

REAR MOUNT,

TOOL CRIMP

Mounting Hole: D3.100

BNC ADAPTER 75Ω BNC **UADRMF220**

RIGHT ANGLE

BN23 Shown

BNC "T" ADAPTER 50Ω **BN23**

75Ω **UBN23**

BNC COUPLING ADAPTER 50Ω **AD28**

(Barrel connector) 75Ω **UAD28**

BNC COUPLING ADAPTER 50Ω **AD228**

(Barrel connector) 75Ω **UAD228**

Refers to Cable Group Table, see pages 82-124. "D" mounting holes are on page 63.

MINIATURE COAX 20/220 SERIES BNC BULKHEAD JACKS

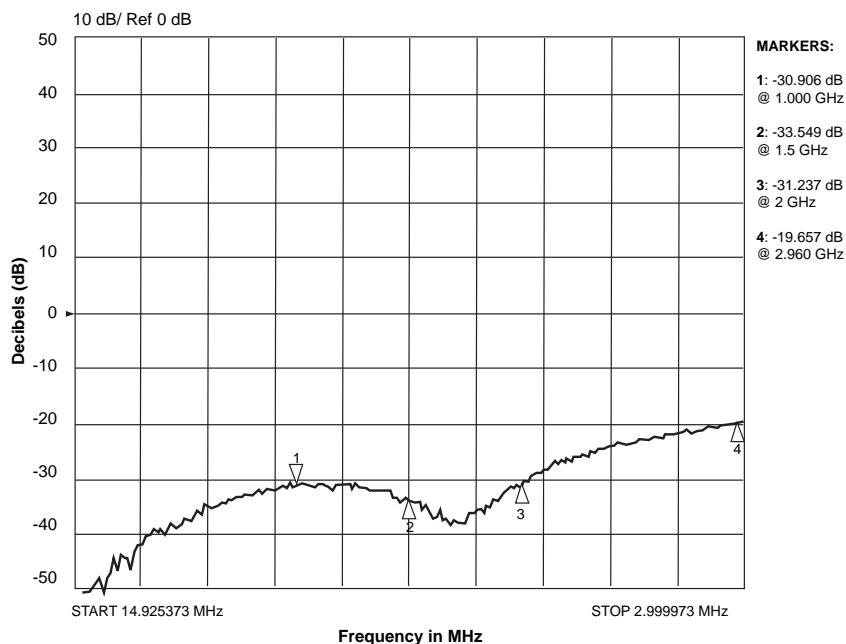
<p>BJ26-1 Shown</p> <p>INSULATED BULKHEAD CABLE JACK WRENCH CRIMP, REAR MOUNT</p> <p>50Ω BJ26- 75Ω UBJ26- </p> <p>Mounting Hole: D2.187 GF-Ground filter version page 38</p>	<p>NON-INSULATED BULKHEAD JACK FEED-THROUGH</p> <p>50Ω BJ224 75Ω UBJ224</p> <p>Mounting Hole: DD3.156</p>
<p>BJ27 Shown</p> <p>INSULATED BULKHEAD JACK</p> <p>FRONT MOUNT, SOLDER POT</p> <p>50Ω BJ27 75Ω UBJ27</p> <p>Mounting Hole: D3.147</p>	<p>INSULATED BULKHEAD JACK RECESSED INSULATED ADAPTER (RIA) FEED-THROUGH</p> <p>75Ω UBJ224-RIA</p>
<p>BJ29-1 Shown</p> <p>BULKHEAD CABLE JACK REAR MOUNT, WRENCH CRIMP</p> <p>50Ω BJ29- 75Ω UBJ29- </p> <p>Mounting Holes: D3.218 (D2.218-Cable Groups 6, 6E, 51, 52)</p>	<p>BULKHEAD JACK FRONT MOUNT, SOLDER POT</p> <p>50Ω BJ20 75Ω UBJ20</p> <p>W/ SOLDER LUG</p> <p>50Ω BJ20SL 75Ω UBJ20SL</p> <p>Mounting Hole: D5.125</p>
<p>BJ23 Shown</p> <p>BULKHEAD JACK NON-INSULATED</p> <p>50Ω BJ23 75Ω UBJ23</p> <p>Mounting Hole: D3.147</p> <p>INSULATED BULKHEAD CABLE JACK REAR MOUNT, SOLDER POT</p> <p>50Ω BJ21 75Ω UBJ21</p> <p>Mounting Hole: D3.147</p>	<p>INSULATED BULKHEAD JACK FEED-THROUGH</p> <p>50Ω BJ228 75Ω UBJ228</p> <p>Mounting Hole: DD3.156</p>
<p>BULKHEAD JACK FEED-THROUGH NON-INSULATED</p> <p>50Ω BJ24 75Ω UBJ24</p> <p>Mounting Hole: DD3.100, (Hermetically sealed version available, call factory).</p>	<p>BJ28 Shown</p> <p>INSULATED BULKHEAD JACK FEED-THROUGH</p> <p>50Ω BJ28 75Ω UBJ28</p> <p>Mounting Hole: D3.156 (Hermetically sealed version available, call factory). GF-Ground Filter version available page 43.</p>

Refers to Cable Group Table, see pages 82-124. "D" mounting holes are on page 63.

COAX 20/220 SERIES CIRCUIT BOARD JACKS

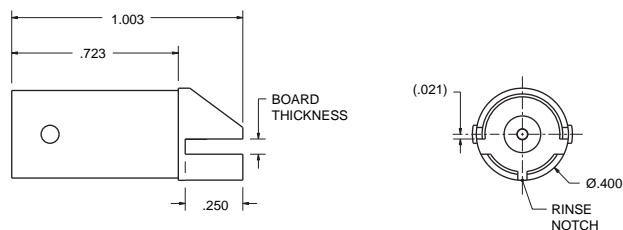
Edge Mount Circuit Board Jacks

Trompeter manufactures a wide selection of circuit board jacks.



CIRCUIT BOARD EDGE MOUNT COAX "BNC" STYLE RECEPTACLE 75Ω

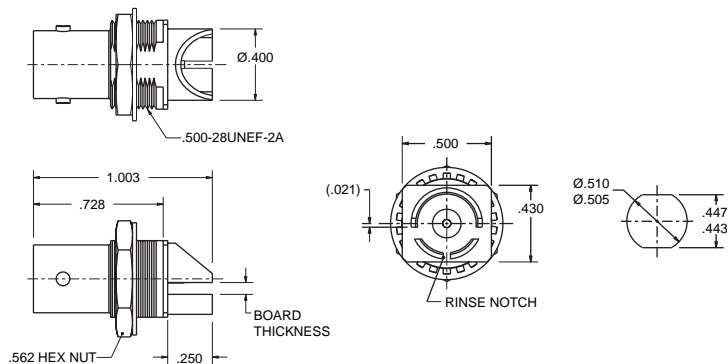
Part Number	Board Thickness
UCBJE20-1	.060 - .064
UCBJE20-2	.028 - .033



CIRCUIT BOARD BULKHEAD EDGE MOUNT COAX "BNC" STYLE RECEPTACLE 75Ω

Max Panel Thickness: .179

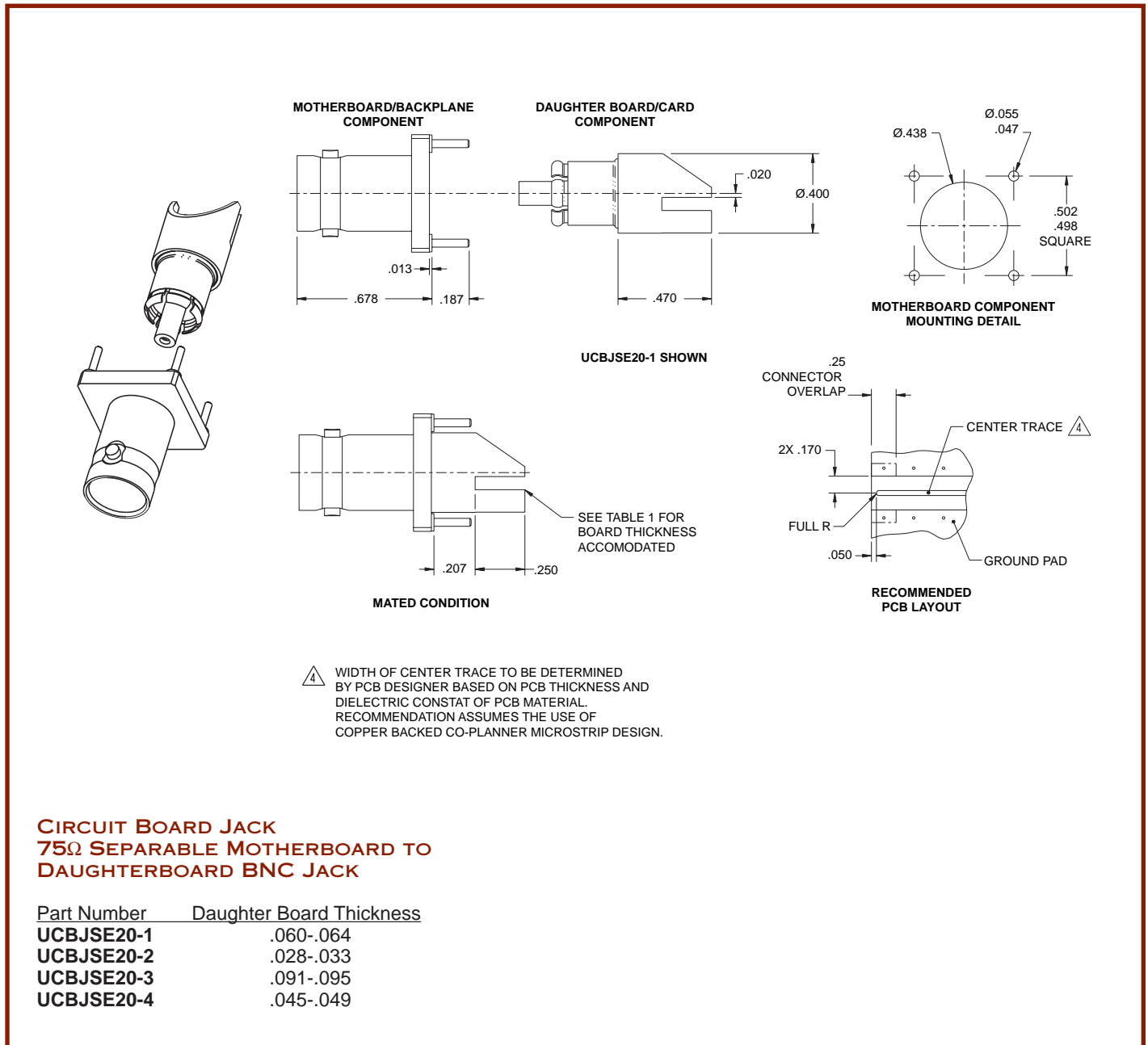
Part Number	Board Thickness
UCBBJE20-1	.060 - .064
UCBBJE20-2	.028 - .033
UCBBJE20-3	.084
UCBBJE20-4	.120



CoAX 20/220 SERIES Circuit Board Jacks

Separable Circuit Board Jacks

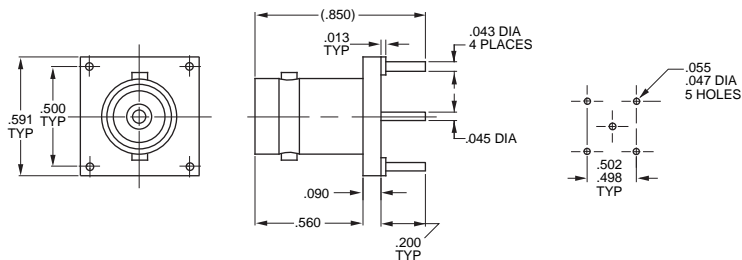
Trompeter manufactures a wide selection of circuit board jacks.



COAX 20/220 SERIES CIRCUIT BOARD JACKS

Circuit Board Jacks...

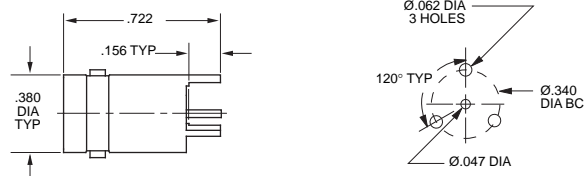
Trompeter manufactures a wide selection of circuit board jacks, Shown below are the most commonly requested designs. For custom designs, contact the factory or fill out the *Custom Products Request Form* on page 137 and fax it to us.



CIRCUIT BOARD JACK
STRAIGHT, 4-LEG

75Ω

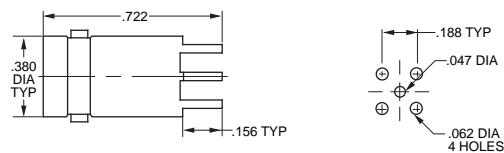
UCBJ20F



CIRCUIT BOARD JACK
STRAIGHT, 3-LEG

50Ω

CBJ20

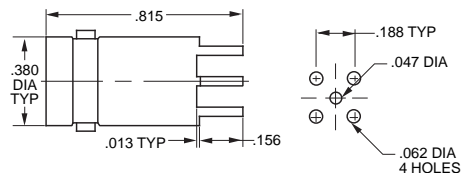


CIRCUIT BOARD JACK
STRAIGHT, 4-LEG

50Ω

CBJ22

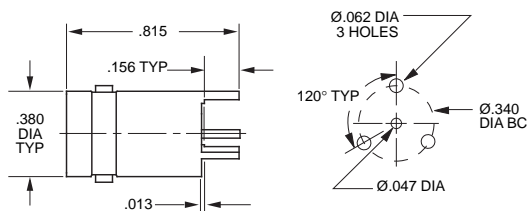
CoAX 20/220 SERIES CIRCUIT BOARD JACKS



CIRCUIT BOARD JACK
STRAIGHT, 4-LEG

75Ω

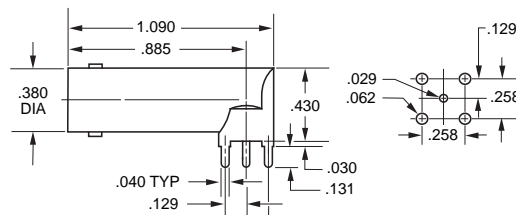
UCBJ224



CIRCUIT BOARD JACK
STRAIGHT, 3-LEG

75Ω

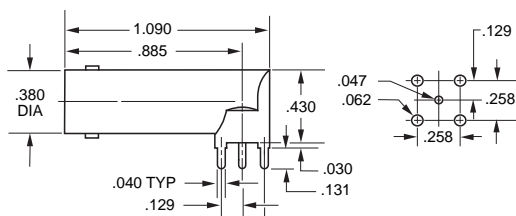
UCBJ223



RIGHT ANGLE COAX BNC
CIRCUIT BOARD JACK

75Ω

UCBJR220



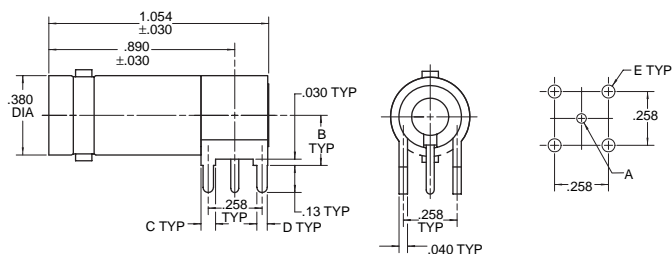
RIGHT ANGLE COAX BNC
CIRCUIT BOARD JACK

50Ω

CBJR220

MODEL NO.	LTR CODE	OHM	A DIM	B DIM	C DIM	D DIM	E DIM
CBJR20	-	50	.046	.24	.090	.050	.0625
UCBJR20	-	75	.029	.24	.090	.050	.0625

MODEL NO.	LTR CODE	OHM	A DIM	B DIM	C DIM	D DIM	E DIM
CBJR20A	A	50	.046	.34	.090	.058	.070
UCBJR20A	A	75	.029	.34	.090	.058	.070



CIRCUIT BOARD JACK
RIGHT ANGLE, TALL VERSION

50Ω

CBJR20A

75Ω

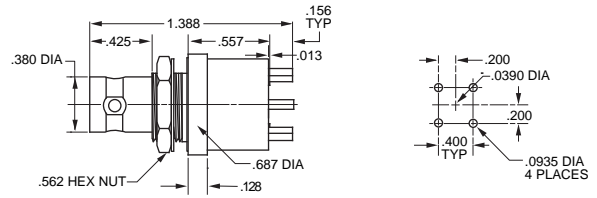
UCBJR20A

COAX 20/220 SERIES CIRCUIT BOARD JACKS

NON-INSULATED CIRCUIT BOARD BULKHEAD JACK

STRAIGHT, 4-LEG
Mounting Hole: D3.109

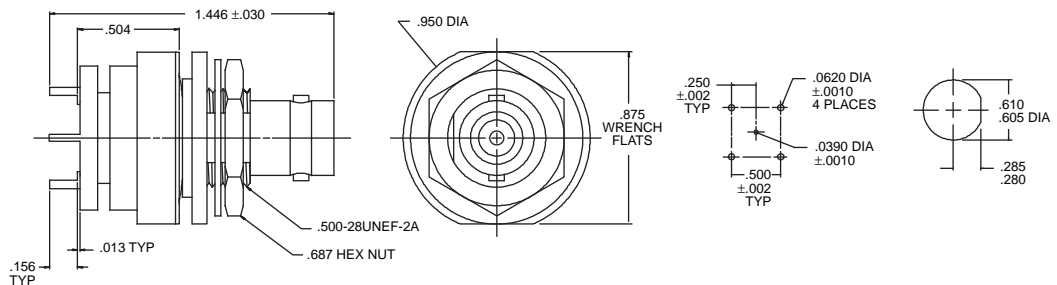
75Ω UCBBJ29



INSULATED CIRCUIT BOARD BULKHEAD JACK COAXIAL BNC GROUND FILTER INSULATED 4-POST

STRAIGHT
Mounting Hole: .093

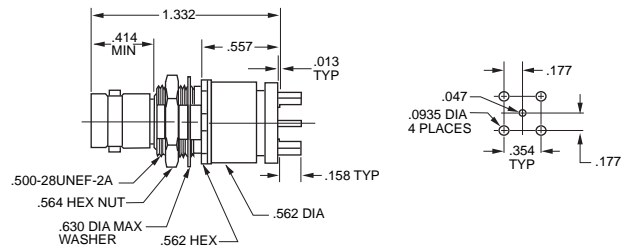
50Ω CBBJ26GF
75Ω UCBBJ26GF



INSULATED CIRCUIT BOARD BULKHEAD JACK

STRAIGHT
Mounting Hole: D3.156

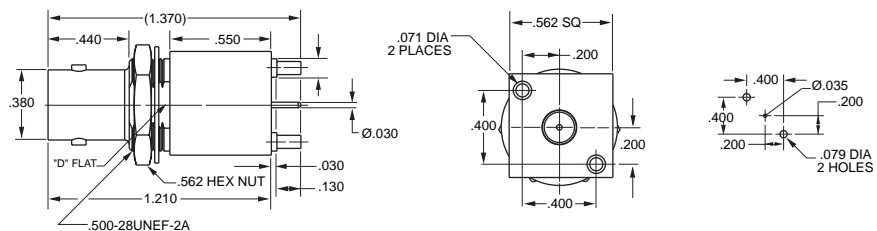
50Ω CBBJ26



CIRCUIT BOARD BULKHEAD JACK

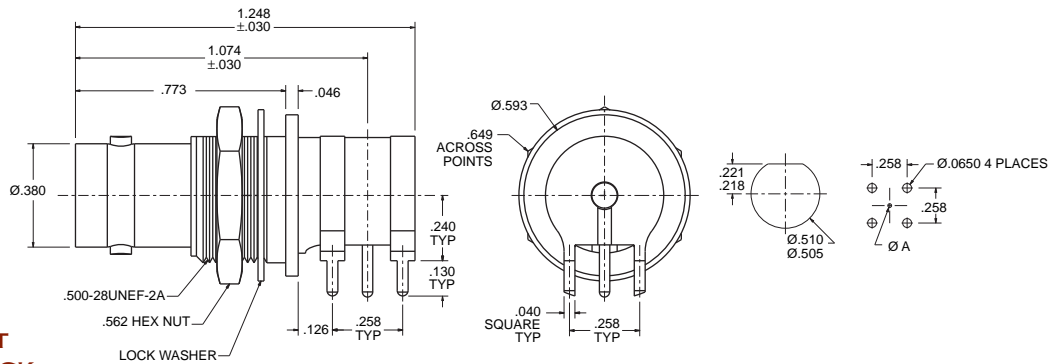
STRAIGHT
Mounting Hole: D3.060

75Ω UCBBJ23



CoAX 20/220 SERIES Circuit Board Jacks

MODEL NO.	LTR CODE	OHM	Ø
CBBJR229	-	50	.046
UCBBJR229	-	75	.029

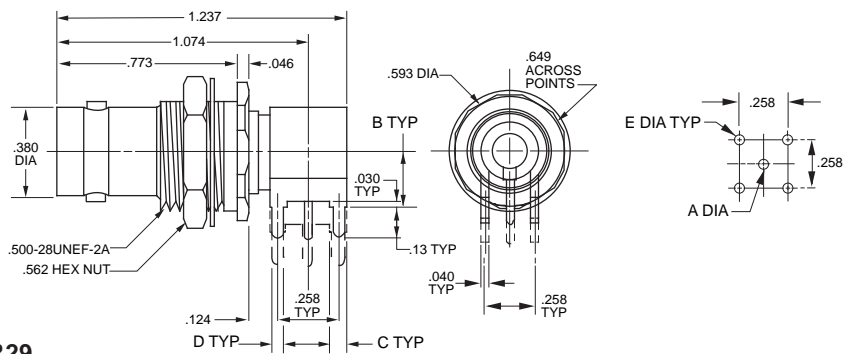


RIGHT ANGLE CIRCUIT BOARD BULKHEAD JACK

ONE PIECE BODY 50Ω **CBBJR229**
75Ω **UCBBJR229**

Maximum Panel Thickness: .179 D-Hole: D3

MODEL NO.	LTR CODE	OHM	A DIM	B DIM	C DIM	D DIM	E DIM
CBBJR29	-	50	.046	.24	.090	.050	.0625
UCBBJR29	-	75	.029	.24	.090	.050	.0625
CBBJR29A	A	50	.046	.34	.090	.058	.070
UCBBJR29A	A	75	.029	.34	.090	.058	.070



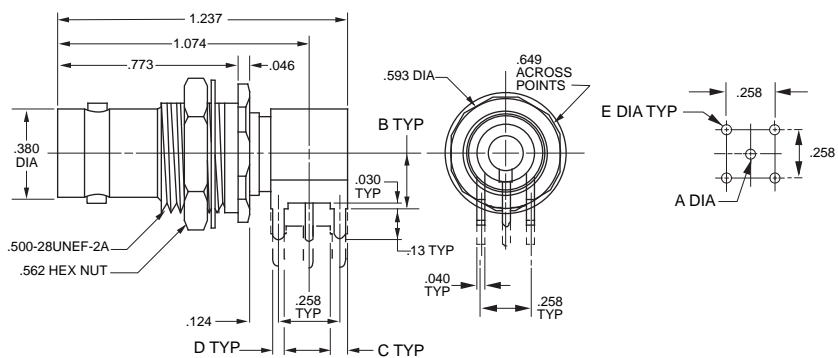
RIGHT ANGLE CIRCUIT BOARD BULKHEAD JACK

NON-INSULATED 50Ω **CBBJR29**
NON-INSULATED 75Ω **UCBBJR29**

* Add "A" for tall versions
Example: **CBBJR29A**

Mounting Holes: D3.156 (Insulated), D3.179 (Non-Insulated)

MODEL NO.	LTR CODE	OHM	A DIM	B DIM	C DIM	D DIM	E DIM
CBBJR26	-	50	.046	.24	.090	.050	.0625
UCBBJR26	-	75	.029	.24	.090	.050	.0625
CBBJR26A	A	50	.046	.34	.090	.058	.070
UCBBJR26A	A	75	.029	.34	.090	.058	.070



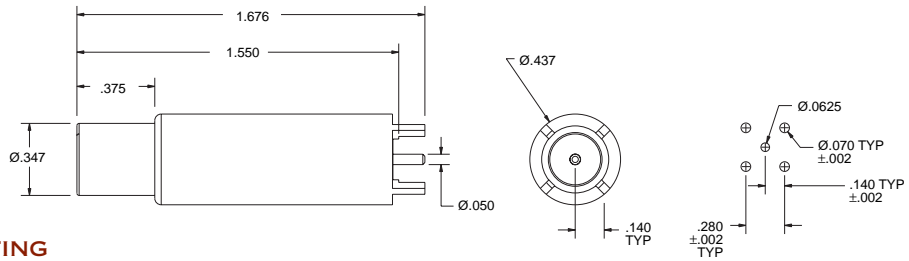
RIGHT ANGLE CIRCUIT BOARD BULKHEAD JACK

INSULATED 50Ω **CBBJR26**
INSULATED 75Ω **UCBBJR26**

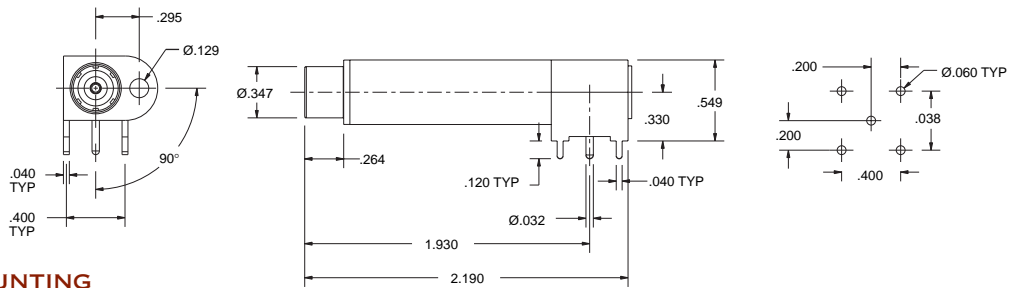
* Add "A" for tall versions
Example: **CBBJR26A**

Mounting Holes: D3.156 (Insulated), D3.179 (Non-Insulated)

MINI-WECO Coax Circuit Board Jacks

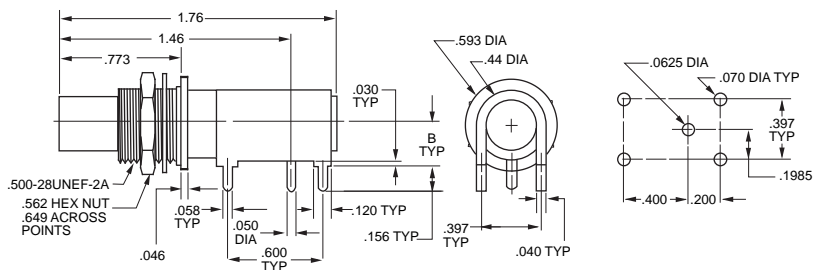


CIRCUIT BOARD MOUNTING
MINI-WECO COAXIAL PATCH JACK
75Ω (.296 SIZE) **CBJ12**

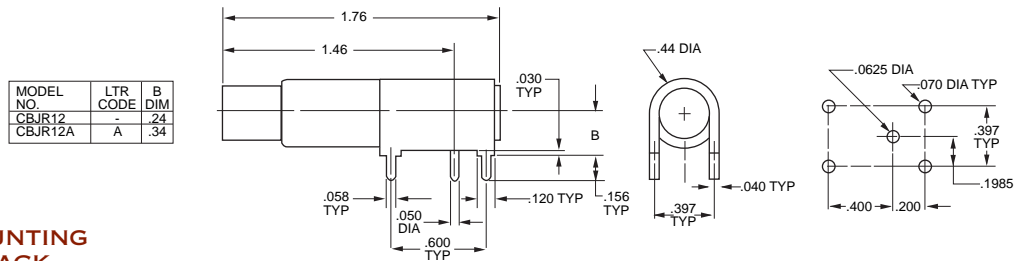


CIRCUIT BOARD MOUNTING
MINI-WECO COAXIAL PATCH JACK
RIGHT ANGLE
75Ω (.296 SIZE) **105-1880**

MODEL NO.	LTR CODE	B DIM
CBBJR12	-	.24
CBBJR12A	A	.34



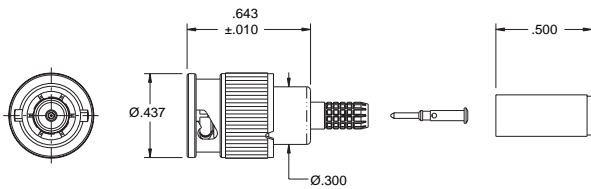
CIRCUIT BOARD BULKHEAD MOUNTING
MINI-WECO PATCH JACK
75Ω RIGHT ANGLE **CBBJR12** B = .24
LONG LEG VERSION **CBBJR12A** B = .34
 Mounting Hole: D3.250



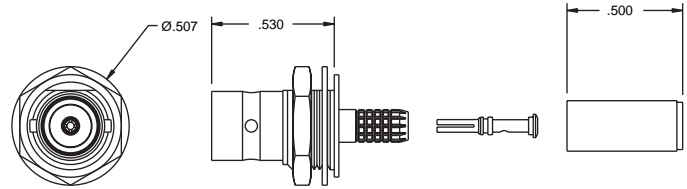
CIRCUIT BOARD MOUNTING
MINI-WECO PATCH JACK
75Ω RIGHT ANGLE **CBJR12** B = .24
LONG LEG VERSION **CBJR12A** B = .34

MINIATURE COAX 250 SERIES, MINI-BNC PLUGS & JACKS

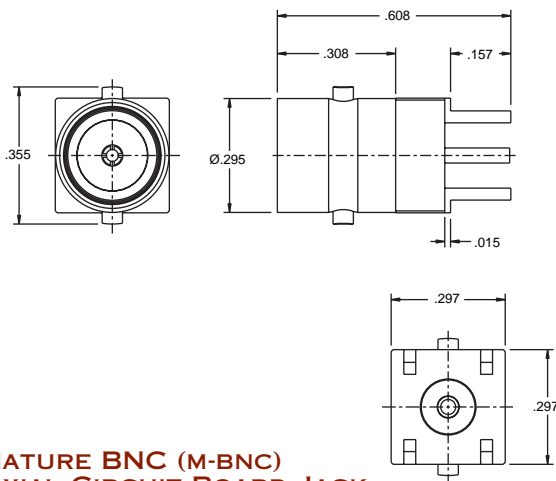
The mini-BNC 250 RF connector series from Trompeter was designed specifically for DS3 telco coaxial central office applications to allow higher interconnect density while preserving the positive characteristics of the Trompeter full size BNC. In fact, the 250 series provides for higher density of interconnects in a given area.



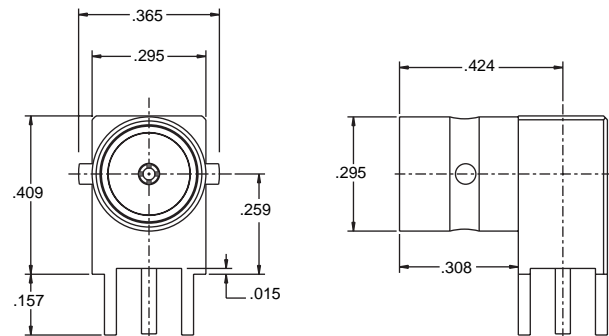
MINIATURE BNC (M-BNC) COAXIAL PLUG
STRAIGHT 75Ω **UPL250-**



MINIATURE BNC (M-BNC) COAXIAL BULKHEAD JACK
STRAIGHT 75Ω **UBJ250-**



MINIATURE BNC (M-BNC) COAXIAL CIRCUIT BOARD JACK
STRAIGHT 75Ω **UCBJ250-N**
75Ω **UCBJ250-G**



MINIATURE BNC (M-BNC) COAXIAL CIRCUIT BOARD JACK
RIGHT ANGLE 75Ω **UCBJR250-N**
75Ω **UCBJR250-G**

Part Number	Description	Plating	Bulkhead Mount	PCB OA Thickness
UPL250-	Straight plug M-BNC series	ni	n/a	
UPLR250-	Right angle plug M-BNC series	ni	n/a	
UBJ250-	Bulkhead cable jack	ni	yes	
UCBJ250-G	Straight PCB-mounted jack	au	no	
UCBJ250-N	Straight PCB-mounted jack	ni	no	
UCBBJ250-G	Straight PCB-mounted jack	au	yes	
UCBBJ250-N	Straight PCB-mounted jack	ni	yes	
UCBJR250-G	Right angle PCB-mounted jack	au	no	
UCBJR250-N	Right angle PCB-mounted jack	ni	no	
UCBBJR250-G	Right angle PCB-mounted jack	au	yes	
UCBBJR250-N	Right angle PCB-mounted jack	ni	yes	
UCBJE250-1	PCB-edge mounted SMT jack	au	no	0.032
UCBJE250-2	PCB-edge mounted SMT jack	au	no	0.064
UCBBJE250-1	PCB-edge mounted SMT jack	au	yes	0.032
UCBBJE250-2	PCB-edge mounted SMT jack	au	yes	0.064
UAD258	M-BNC jack to M-BNC jack adapter, Barrel adapter	ni	yes	



Refers to Cable Group Table, see pages 82-124. "D" mounting holes are on page 63.