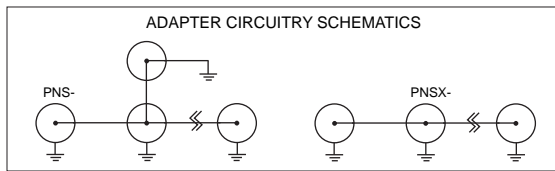
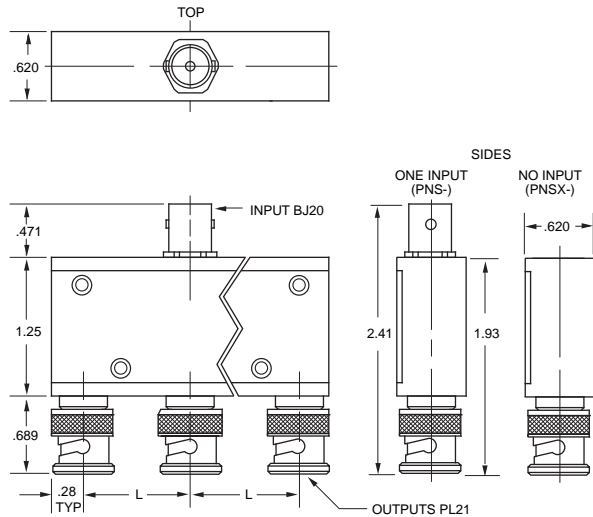


COAX PATCHING ACCESSORIES

ADAPTERS

FIXED PARALLELING 50Ω BNCs

Call factory for 75Ω versions.

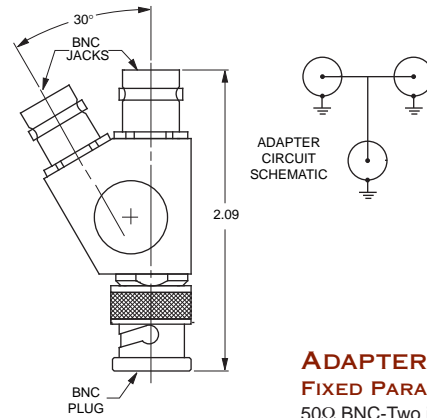


\triangle = NUMBER OF CONNECTORS

"L"	ONE INPUT	NO INPUT
0.625"	PNS-B- \triangle	PNSX-B- \triangle
0.750"	PNS-C- \triangle	PNSX-C- \triangle
0.830"	PNS-D- \triangle	PNSX-D- \triangle
0.875"	PNS-E- \triangle	PNSX-E- \triangle
1.000"	PNS-F- \triangle	PNSX-F- \triangle
1.125"	PNS-G- \triangle	PNSX-G- \triangle
1.210"	PNS-H- \triangle	PNSX-H- \triangle
1.250"	PNS-J- \triangle	PNSX-J- \triangle
1.430"	PNS-K- \triangle	PNSX-K- \triangle
.0734"	PNS-L- \triangle	PNSX-L- \triangle

"L" Length in inches

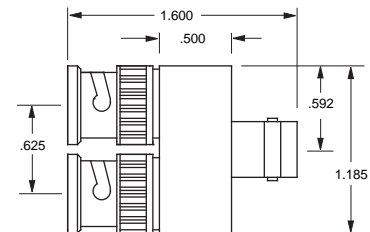
Also available with push-on connectors, call factory.



ADAPTER

FIXED PARALLELING
50Ω BNC-Two jacks, One plug

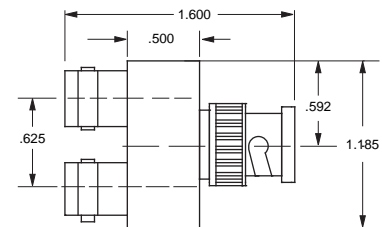
PN2C



ADAPTER

FIXED PARALLELING
50Ω BNC-One jack, Two plugs

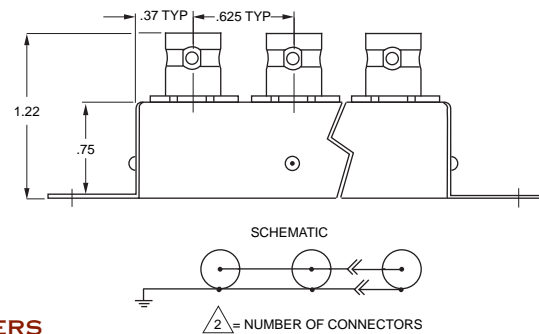
PN2



ADAPTER

FIXED PARALLELING
50Ω BNC-Two jacks, one plug

PN2A



ADAPTERS

MULTIPLE PARALLEL NETWORK
50Ω **MPN- \triangle /BNC**
50Ω **MPN- \triangle /TNC**

Contact the factory for more information.