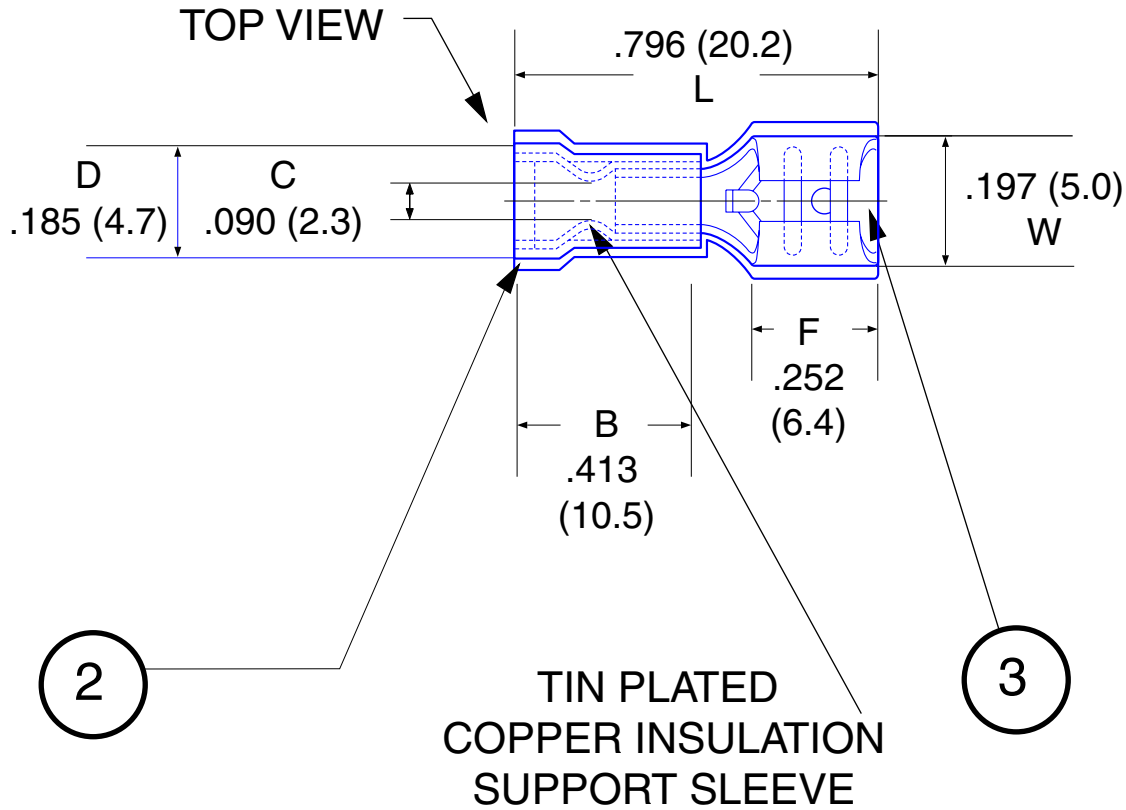
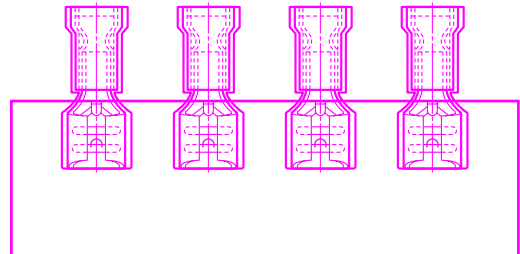


Fully Insulated Female Disconnect
Part No: LVHDF1614T187A5

SYM.	CHANGES	BY	DATE



TAPE ON REEL



16/14 AWG

Thermal spec: 75° C
Insulation Class: UL94V2
Electrical Specs: 15 Amps, 300 Volts
TOLERANCE ±.4
Measurement units: inches (mm)

HOFFMAN CADFILE

NO.	1	2	3
NAME	CONNECTOR	INSULATOR	TAB
MAT'L.	BRASS	VINYL	.187 X .020 (0.5 x 4.75)
REMARKS	TIN PLATED	BLUE	
APPROVED BY:	CHECKED BY:	DRAWN BY:	



HOFFMAN PRODUCTS

20700 Hubbell Avenue, Oak Park, MI 48237
Tel: 1-800-645-2014 • Fax: 1-800-908-1295
Web: www.hoffmanproducts.com

DATE:	TITLE: FULLY INSULATED FEMALE DISCONNECT	
SCALE: FREE	PART NO. LVHDF1614T187A5	
DRAWING NO. H1524	PART NAME	ISSUE