

Heatsink

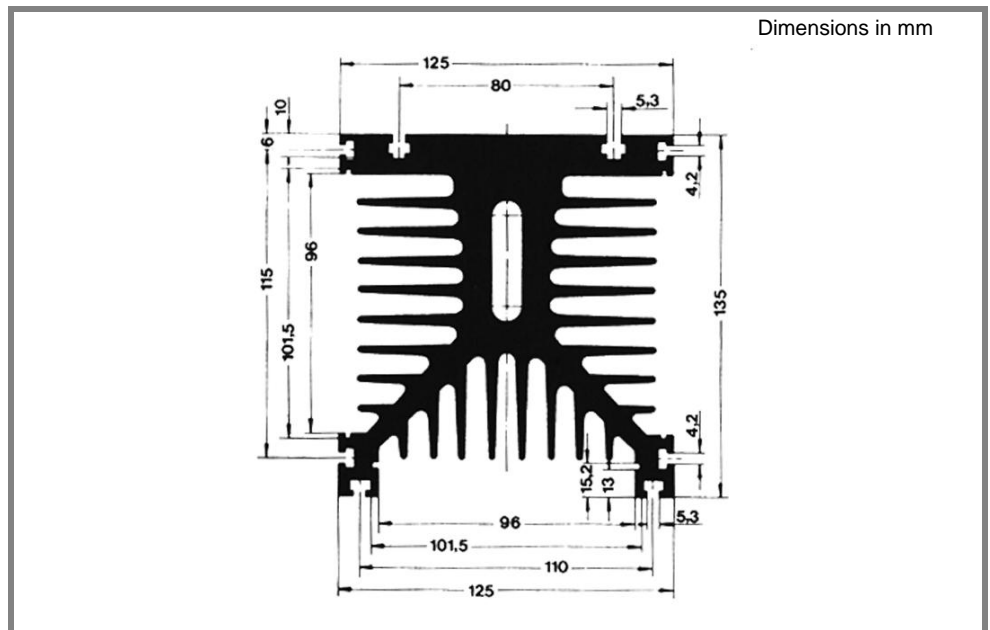
Standard lengths	n	b / d Ø mm	R _{thha} natural cooling K/W	R _{thha} with Fan SKF 3-230-01 K/W	w kg
P 3/120	1	20	0,55 (100W)	0,167	2,1
	3		0,43 (150W)	0,147	
	6		0,33 (200W)	0,108	
P 3/180	2	20	0,39 (150W)	0,132	3,1
	3		0,36 (180W)	0,12	
	6		0,33 (200W)	0,108	
P 3/300	1	34	0,144	0,144	5,3
	3		0,118	0,118	
	6		0,0847	0,0847	

For isolated power modules

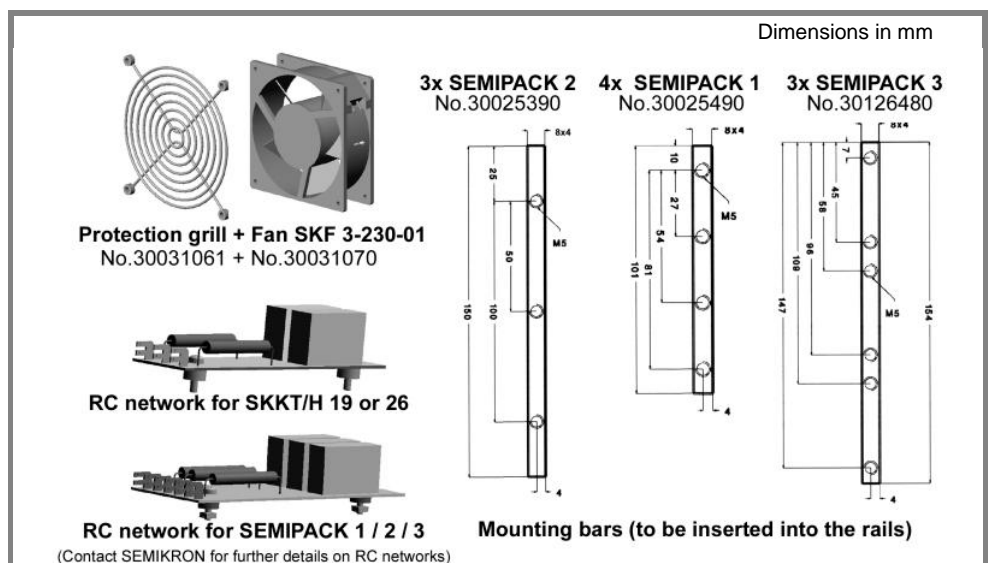
P 3

Features

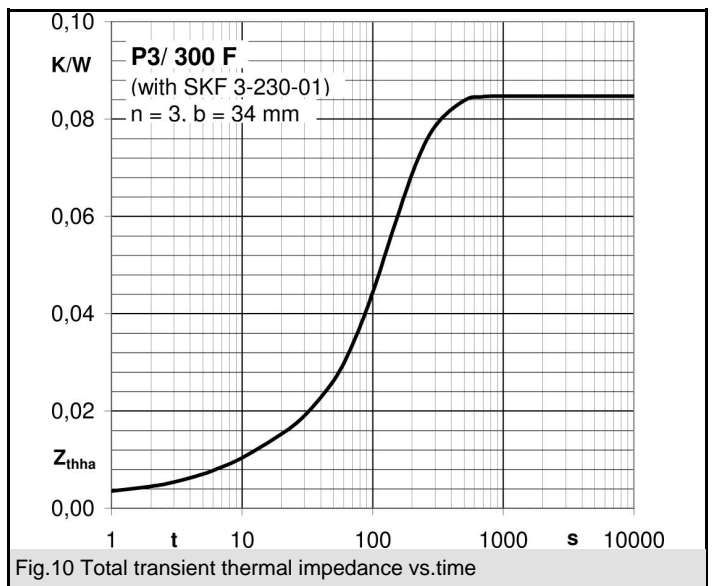
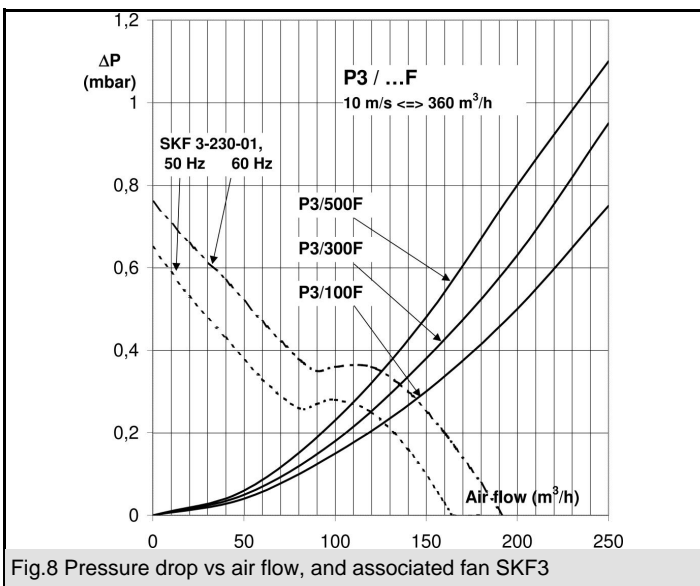
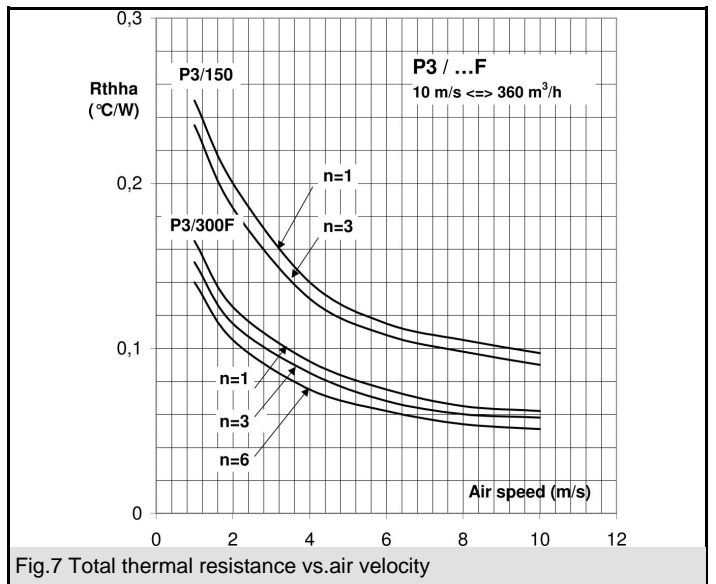
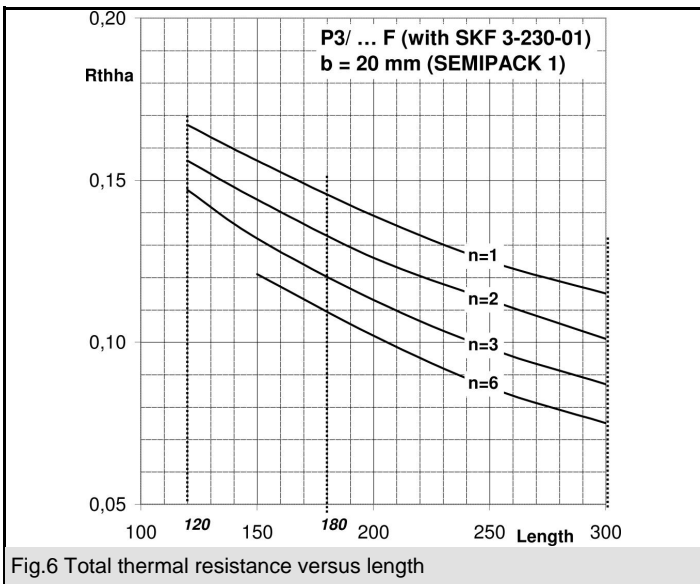
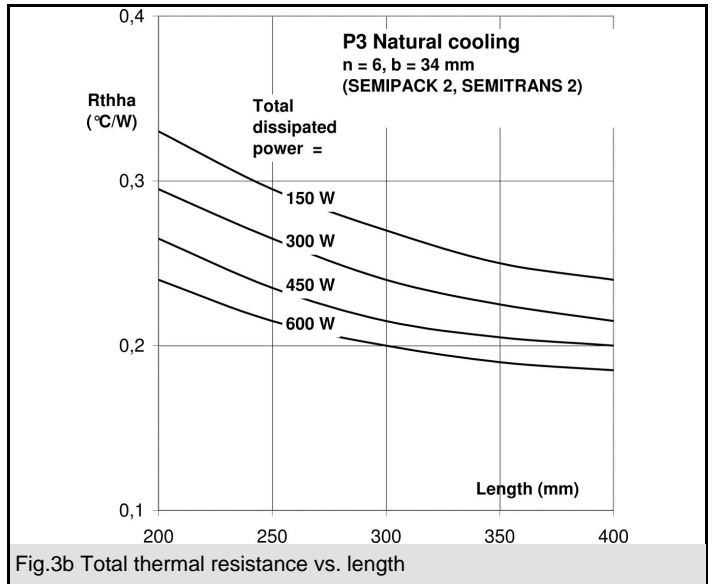
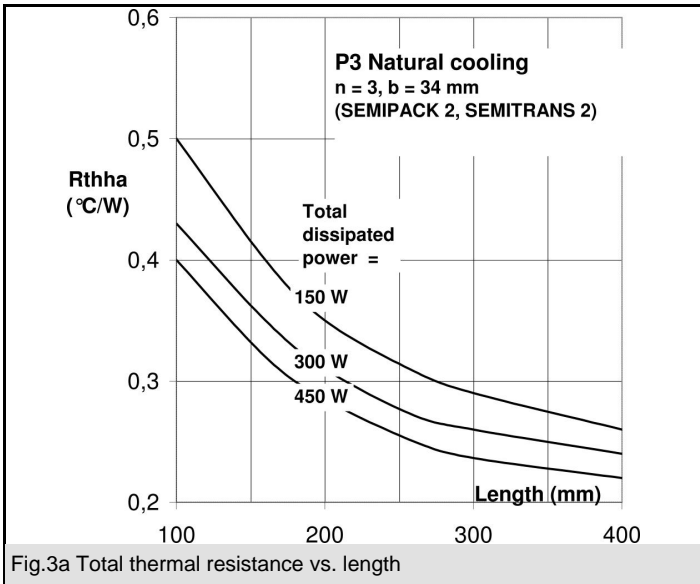
- Intended for isolated power modules, SEMIPACK (1 to 4) and SEMITRANS 2 range
- Integrated rails allow for easy mounting of the modules
- Available in various lengths
- Best fitted fan : SKF 3-230-01
- Mounting bar rails available (see sketches)



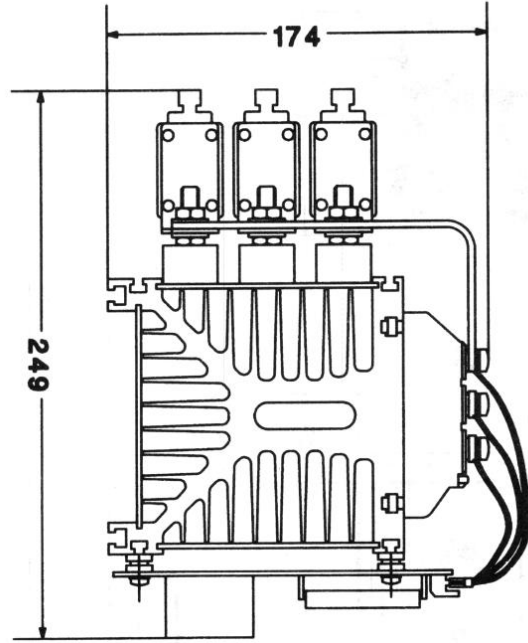
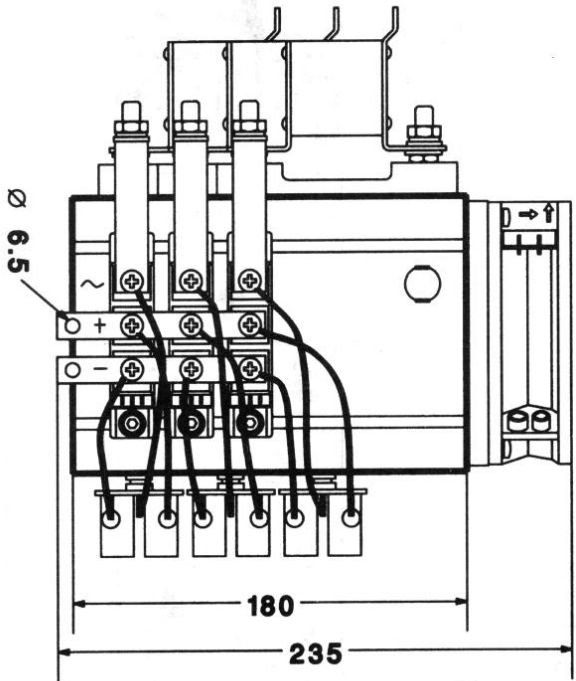
P3 general profile dimensions (w = 17,6 kg/m)



P 3 standard accessories



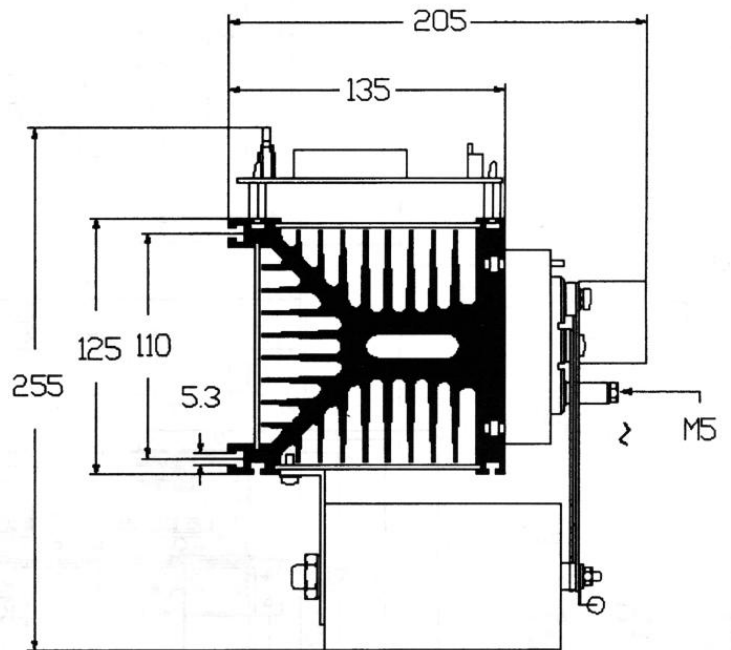
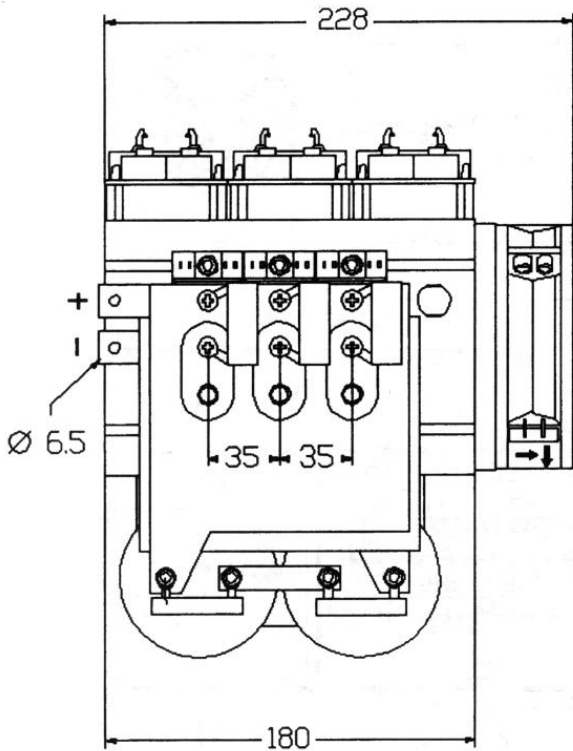
P3/180 F



This figure shows all available options

1. Application example using heatsink P 3/180 and SEMIPACK modules to give a three phase bridge

P3/180



2. Application example using SEMITRANS modules to give a B6CI configuration