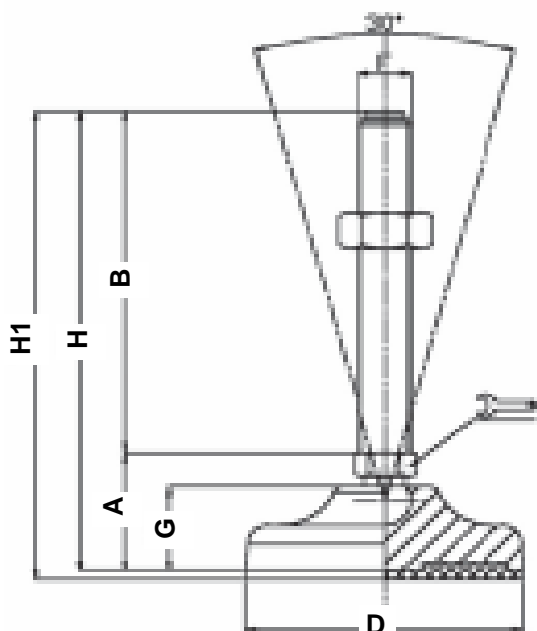



Levelling Feet - Plastic Base With Articulated Screw 30°



Farnell Ref:	Fibet Ref:	Thread Type	A	B	D		F	G	H	H1	Maximum Load (N)
4998248	10222	M8 x 50 Steel	27	50	Ø40	12	M8	16.5	77	80	10000
4998273	10232	M10 x 75 Steel	27	75	Ø40	12	M10	16.5	102	105	10000
4998297	10236/12	M12 x 125 Steel	27	125	Ø40	12	M12	16.5	152	155	10000
4998418	10288	M16 x 150 Steel	33	150	Ø65	16	M16	23	183	186	15000
4998467	10032	M12 x 75 Stainless Steel	33	75	Ø50	14	M12	20	105	108	11000