

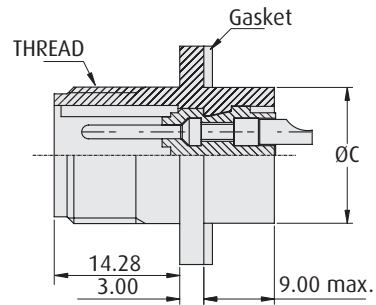
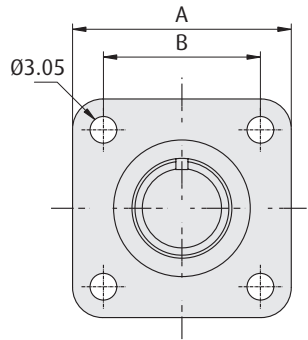


Commercial MIL-DTL-5015

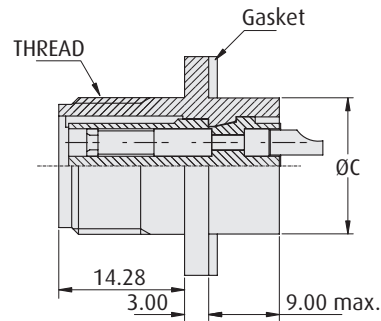
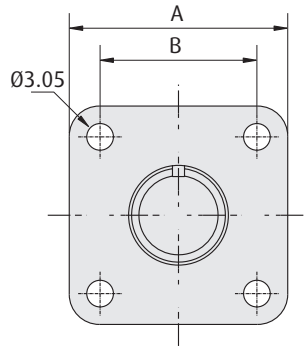
Panel Mount Connector, Receptacle Style

- Male & Female Circular Connectors intermateable with MIL-DTL-5015.
- Features screw holes for panel mounting.
- Gaskets provide additional sealing.
- 13A power.

MALE



FEMALE



CALCULATION

SHELL SIZE	THREAD	DIMENSION		
		A ±0.79	B ±0.12	C max.
10SL-3	5/8-24UNEF-2A	25.40	18.26	19.35
10SL-4	5/8-24UNEF-2A	25.40	18.26	19.35
12S-3	3/4-20UNEF-2A	27.79	20.62	19.86
14S-2	7/8-20UNEF-2A	30.18	23.01	23.01
14S-6	7/8-20UNEF-2A	30.18	23.01	23.01

www.harwin.com

All dimensions in mm.

