

## Datasheet - AZ 17/170-B1-2245

Safety switch with separate actuator / AZ 17 / Actuator



- Damps vibration on guard device



(Minor differences between the printed image and the original product may exist!)

### Ordering details

Product type description	AZ 17/170-B1-2245
Article number	1137406
EAN code	4030661280905

### Global Properties

Product name	Gummigelagerter gerader Betätiger B1
Weight	15 g

### Mechanical data

Design of actuators	straight, rubber mounting
Minimum actuating radius	140 mm

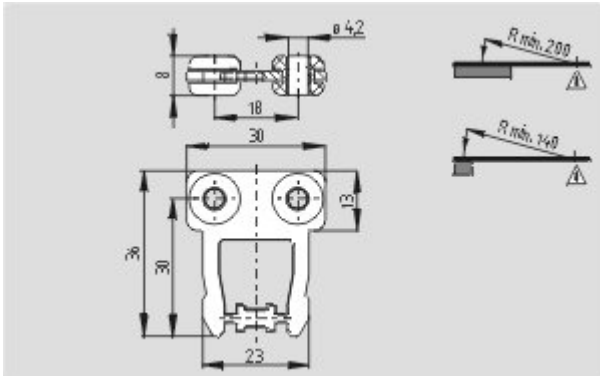
### notice

On hinged guards, minimum actuating radius at 90° to the plane of the actuator 140 mm  
minimum actuating radius on hinged guards in line with the plane of the actuator 200 mm  
Max. 200 Ncm tightening torque for mounting the actuator  
The axis of the hinge should be 13 mm above the top edge of the safety switch and in the same plane

### Documents

**Mounting and wiring instructions** (de, en, fr, it, es, jp) 178 kB, 20.06.2005

Images



Dimensional drawing (miscellaneous)

K.A. Schmersal GmbH, Möddinghofe 30, D-42279 Wuppertal  
The data and values have been checked thoroughly. Technical modifications and errors excepted.  
Generiert am 21.04.2011 - 10:43:11h Kasbase 1.4.7 DBI