

## Datasheet - AZ 15/16-B2-1747 WITH MAGNETIC LATCH



Safety switch with separate actuator / AZ 15 / Actuator



- For very small actuating radii in line with the plane of the actuator
- Suitable for retrofitting
- For play-free interlocking of light guards
- The magnetic latch can be easily fitted in any actuating plane

(Minor differences between the printed image and the original product may exist!)

### Ordering details

Product type description	AZ 15/16-B2-1747 MIT HAFTMAGNET
Article number	1096089
EAN code	4030661099996

### Global Properties

Product name	Beweglicher Betätiger mit Haftmagnet AZ 15/16-B2-1747
Weight	44 g

### Mechanical data

Design of actuators	angled, flexible
Latching force	30 N
Minimum actuating radius	45 mm

### notice

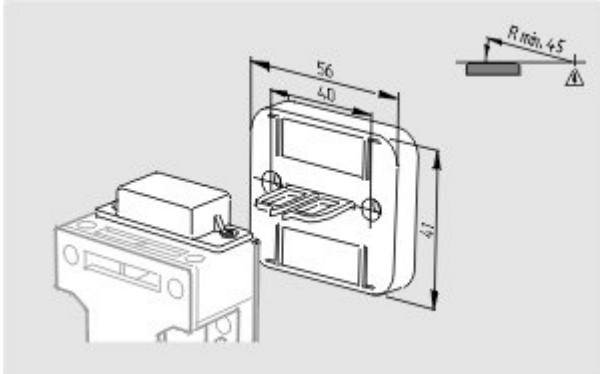
Actuating radius adjustable, minimum 45 mm, using an hexagonal key wrench 2,5 mm (a) A/F  
The axis of the hinge should be 11 mm above the top edge of the safety switch and in the same plane

### Documents

**Mounting and wiring instructions** (de, en, fr, it, es, jp) 267 kB, 29.08.2006

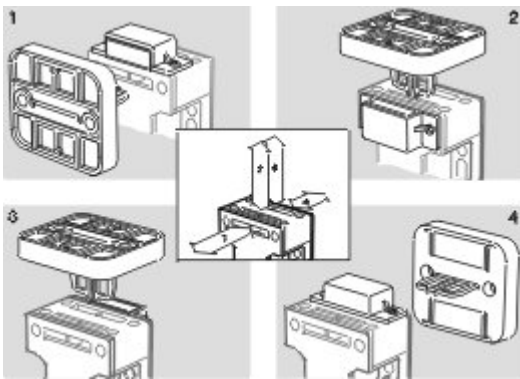
## Images

---



Dimensional drawing (miscellaneous)

---



Operating principle

---