

Datasheet - AZ 15/16-B3-1747 WITH MAGNETIC LATCH



Safety switch with separate actuator / AZ 15 / Actuator



- For very small actuating radii at 90° to the plane of the actuator
- Suitable for retrofitting
- For play-free interlocking of light guards
- The magnetic latch can be easily fitted in any actuating plane

(Minor differences between the printed image and the original product may exist!)

Ordering details

Product type description	AZ 15/16-B3-1747 MIT HAFTMAGNET
Article number	1096090
EAN code	4030661100005

Global Properties

Product name	Beweglicher Betätiger mit Haftmagnet AZ 15/16-B3-1747
Weight	43 g

Mechanical data

Design of actuators	angled, flexible
Latching force	30 N
Minimum actuating radius	32 mm

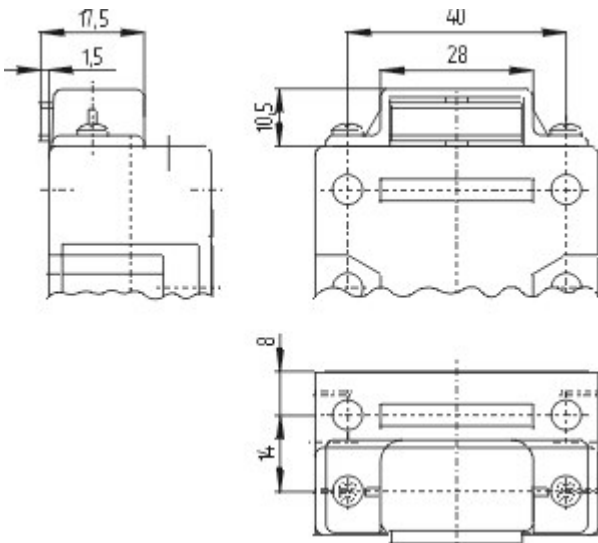
notice

Actuating radius adjustable, minimum 32 mm, using an hexagonal key wrench 2,5 mm (b) A/F
The axis of the hinge should be 11 mm above the top edge of the safety switch and in the same plane

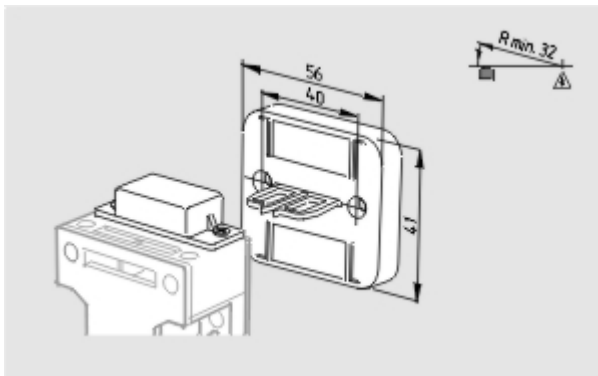
Documents

Mounting and wiring instructions (de, en, fr, it, es, jp) 267 kB, 29.08.2006

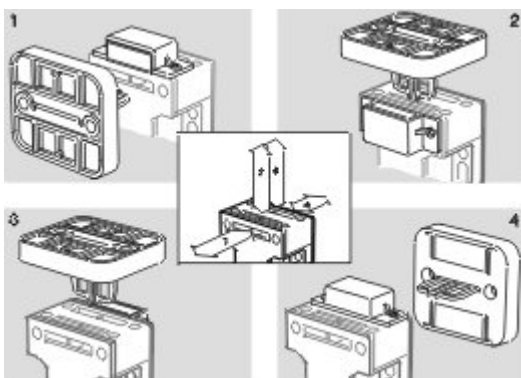
Images



Dimensional drawing (miscellaneous)



Dimensional drawing (miscellaneous)



Operating principle