

Datasheet - AZM 190-B3/2X15

Solenoid interlock / AZM 190 / TZK / Actuator



- For very small actuating radii in line with or at 90° to the plane of the actuator



(Minor differences between the printed image and the original product may exist!)

Ordering details

Product type description	AZM 190-B3/2X15
Article number	1144773
EAN code	4030661283791

Global Properties

Product name	Beweglicher Betätiger AZM 190-B3/2X15
Weight	74 g

Mechanical data

Design of actuators	flexible
Play key in interlocked condition	approx. 5 mm
Minimum actuating radius	350 mm

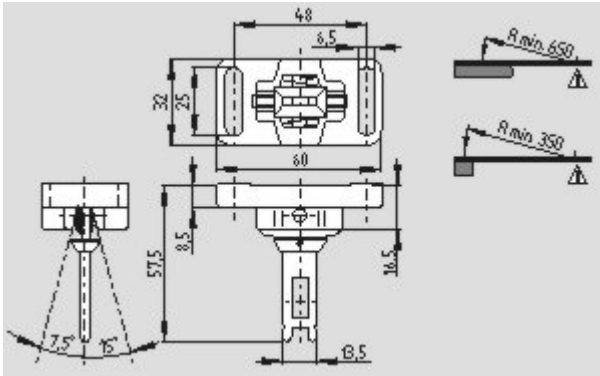
notice

The axis of the hinge should be 20 mm above the top edge of the safety switch and in the same plane
On hinged guards, minimum actuating radius at 90° to the plane of the actuator 350 mm
minimum actuating radius on hinged guards in line with the plane of the actuator 350 mm

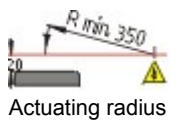
Documents

Mounting and wiring instructions (de. en. fr) 146 kB, 31.03.2010

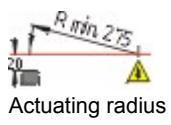
Images



Dimensional drawing (miscellaneous)



Actuating radius



Actuating radius