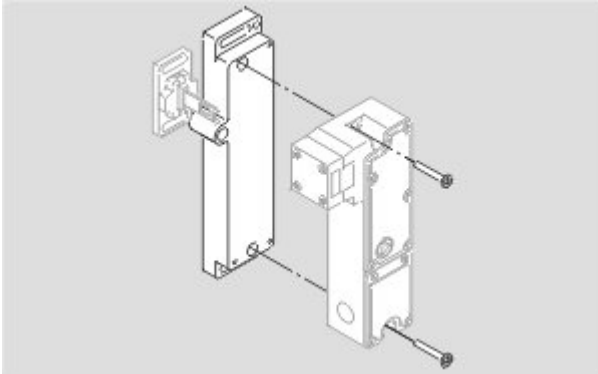


Datasheet - MP 190 MOUNTING PLATE



Solenoid interlock / AZM 190 / TZK / Accessories



- For simple mounting of an AZM 190 on profile systems

(Minor differences between the printed image and the original product may exist!)

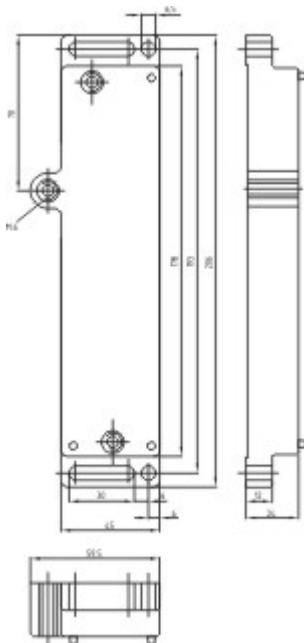
Ordering details

Product type description	MP 190 MONTAGEPLATTE
Article number	1144776
EAN code	4030661283821

Global Properties

Product name	Montageplatte
Weight	130 g

Images



Dimensional drawing (basic component)

K.A. Schmersal GmbH, Möddinghofe 30, D-42279 Wuppertal

The data and values have been checked thoroughly. Technical modifications and errors excepted.

Generiert am 21.04.2011 - 13:58:15h Kasbase 1.4.7 DBI