



Product Datasheet

Panel Mount Base

TETRA UHF

Panel Mount Base



M8

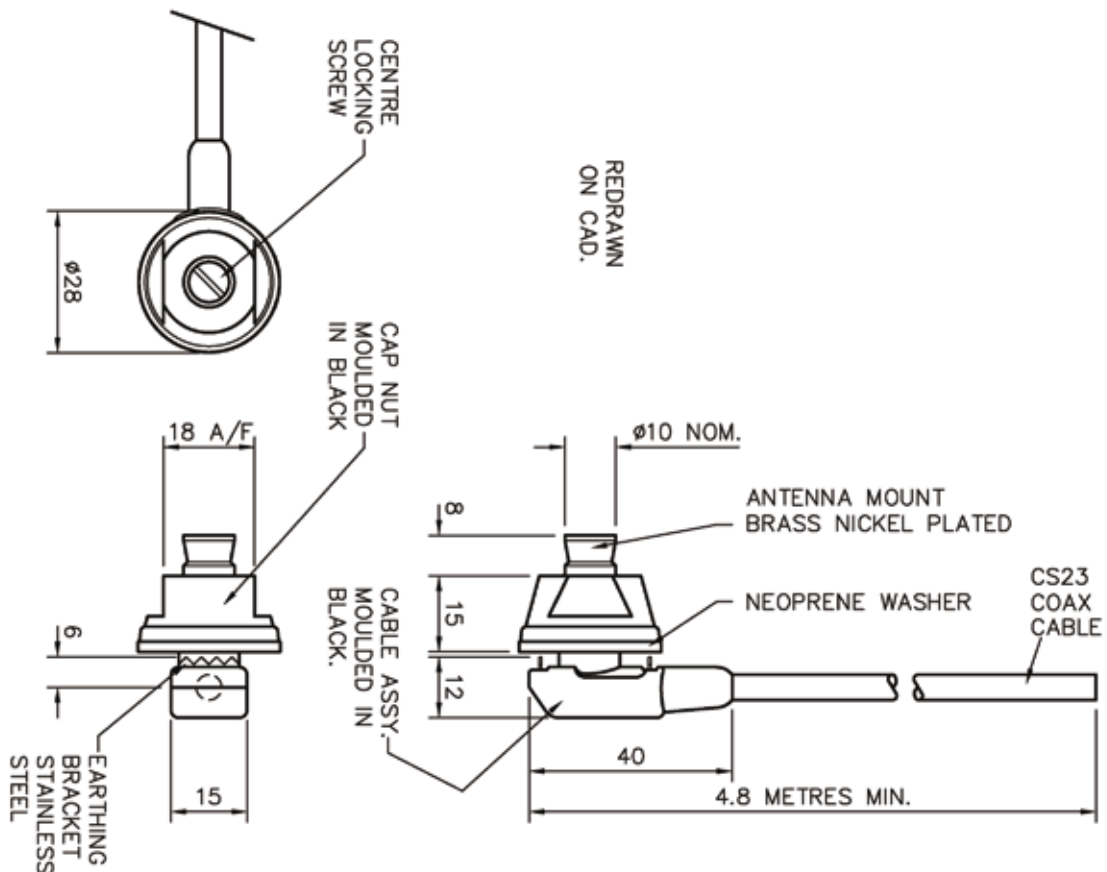
Panel mount

Suitable for various whips

Interchangeable system

The Panorama mounting system features a high degree of compatibility between whips and bases. Our comprehensive range of panel mount bases suits many applications and can cater for many varied fitting requirements such as hole size, panel thickness, cable length and connector termination.

Technical Specification



TETRA UHF

Panel Mount Base

Part Number		
		M8
Mechanical Data		
Dimensions (mm)	Diameter	28
	Height mounted	25
Hole size (fit from outside) (mm)		19
Hole size (fit from inside) (mm)		12
Panel Thickness (mm)		0-4
Colour		Black
Cable Data		
Cable length (m)		4.8
Cable type		CS23
Thickness (mm)		5
Termination		Bare end

Panorama Antennas Ltd
Frogmore, London, SW18 1HF, United Kingdom

T: +44 (0)20 8877 4444
F: +44 (0)20 8877 4477

E: sales@panorama-antennas.com
www.panorama-antennas.com

PANORAMA  ANTENNAS