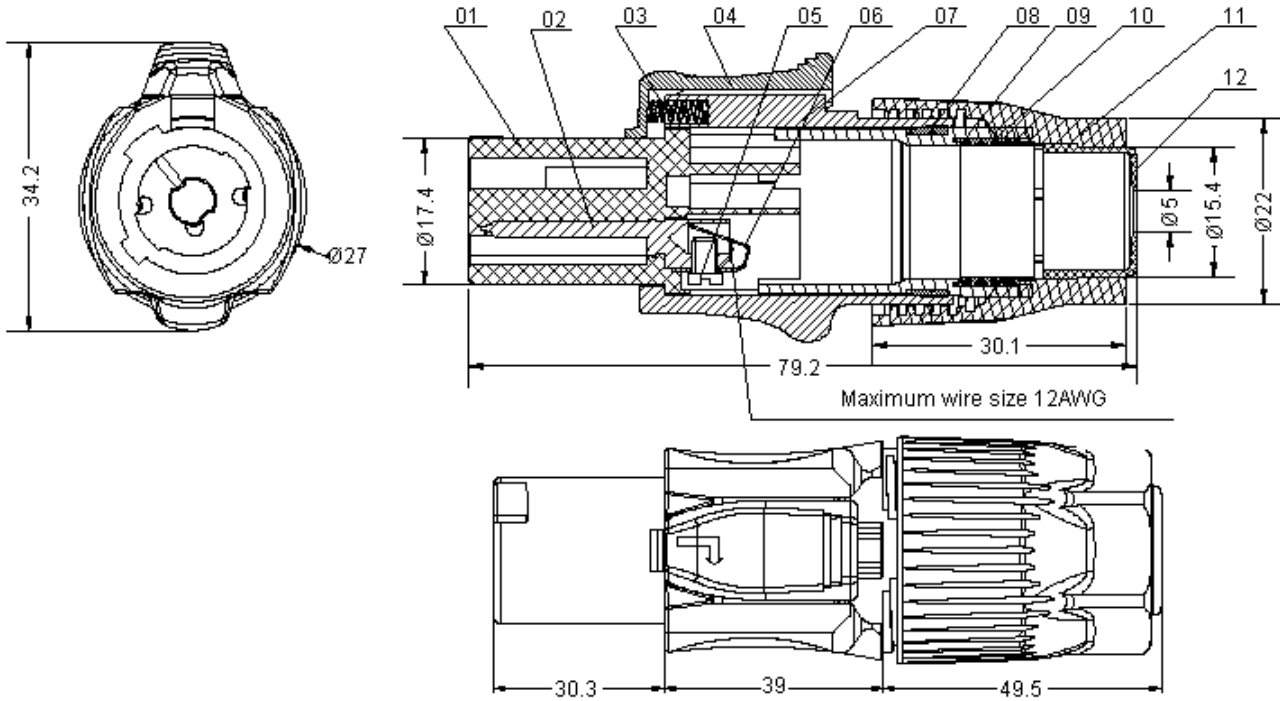


# 3 Way Speaker Jack



Dimensions : Millimetres

## Specifications

Item	Description	Material	Colour/Finish
1	Body	PA	Ash Grey
2	Brass Pin	H59-1	Silver Plated
3	Spring	70#	Ø2.4 x 9.5
4	Push Button	ZZnAL4-1	Nickel Plated
5	Bolt	A3	Black
6	Spring	H62	Silver Plated
7	Plastic Shell	PA	Ash Grey
8	Sealing Ring	Rubber	Black
9	Chuck	PA	Ash Grey
10	Waterproof	Rubber	Black
11	CAP	PA	Blue
12	Boot	PVC	Black

## Part Number Table

Description	Part Number
3 Way Speaker Jack	SVP592FB-GY

**Disclaimer** This data sheet and its contents (the "Information") belong to the Premier Farnell Group (the "Group") or are licensed to it. No licence is granted for the use of it other than for information purposes in connection with the products to which it relates. No licence of any intellectual property rights is granted. The Information is subject to change without notice and replaces all data sheets previously supplied. The Information supplied is believed to be accurate but the Group assumes no responsibility for its accuracy or completeness, any error in or omission from it or for any use made of it. Users of this data sheet should check for themselves the Information and the suitability of the products for their purpose and not make any assumptions based on information included or omitted. Liability for loss or damage resulting from any reliance on the Information or use of it (including liability resulting from negligence or where the Group was aware of the possibility of such loss or damage arising) is excluded. This will not operate to limit or restrict the Group's liability for death or personal injury resulting from its negligence. SPC Multicomp is the registered trademark of the Group. © Premier Farnell plc 2011.