

# Push Buttons & Operator Interface - XAL Control Stations

## Empty Enclosures

### Start-Stop Function (light grey base, RAL 7035; dark grey lid, RAL 7016)



XALD211H29

Description	Type of Push	Type of Contact		Legend Text	Catalog Number
		N/O	N/C		
<b>Text on legend plate</b>					
2 Momentary push buttons	1 flush black	1	–	Start	XALD211
	1 flush red	–	1	Stop	
	1 flush black	1	–	Forward	XALD221
	1 flush black	1	–	Reverse	

### Three Function (light grey base, RAL 7035; dark grey lid, RAL 7016)



XALD321

Description	Type of Push	Type of Contact		Legend Text	Catalog Number
		N/O	N/C		
<b>Text on legend plates</b>					
3 momentary push buttons	1 flush black 1 flush red 1 flush black	1	–	Open	XALD341
		–	1	Stop	
		1	–	Close	
		1	–	Forward	XALD311
		–	1	Stop	
		1	–	Reverse	
		1	–	Up	XALD321
		–	1	Stop	
		1	–	Down	
		–	1	–	

### Empty Enclosures ■



XALD02

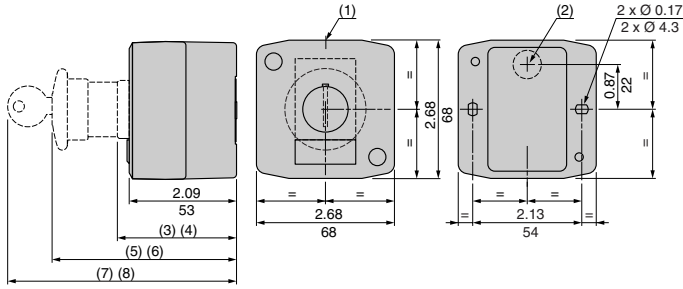
Description	Number of Holes	Catalog Number
<b>For normal environments, CSA+ UL approvals (with stainless steel lid mounting screws)</b>		
Light grey base "RAL 7035"	1	XALD01
Dark grey lid "RAL 7016"	2	XALD02
	3	XALD03
	4	XALD04
	5	XALD05
	Light grey base "RAL 7035"	1
Yellow lid "RAL 1012"		

■ For customer assembly using XB5 operators, see Push Buttons - XB5 22 mm starting on page 73.

# Push Buttons & Operator Interface - XAL Control Stations

## Dimensions

### Single-way control stations XALD1\*\*, K1\*\*, D01

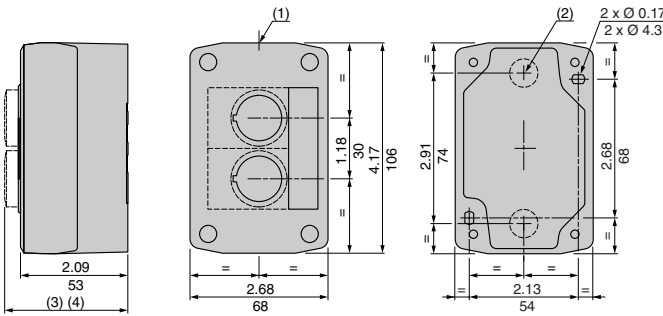


- (1) 2 knock-outs for PG 13.5 cable glands, maximum capacity 0.47 in (12 mm).
- (2) Knock-out for cable entry, maximum capacity 0.55 in (14 mm).

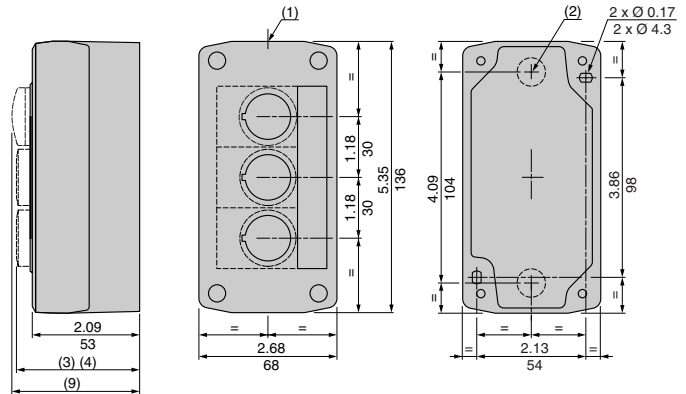
#### Examples:

- (3) 2.44 in (62 mm) for flush push buttons.
- (4) 2.59 in (66 mm) for projecting push buttons.
- (5) 3.58 in (91 mm) for latching mushroom head push buttons.
- (6) 2.91 in (74 mm) for key switches.
- (7) 4.45 in (113 mm) for latching mushroom head push buttons with key release.
- (8) 3.78 in (96 mm) for key switches with key.
- (9) 2.52 in (64 mm) for pilot lights.

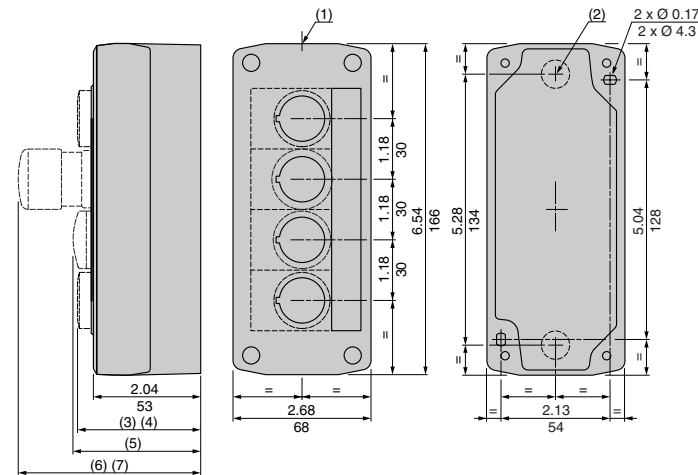
### Two-way control stations XALD2\*\*, K2\*\*, D02



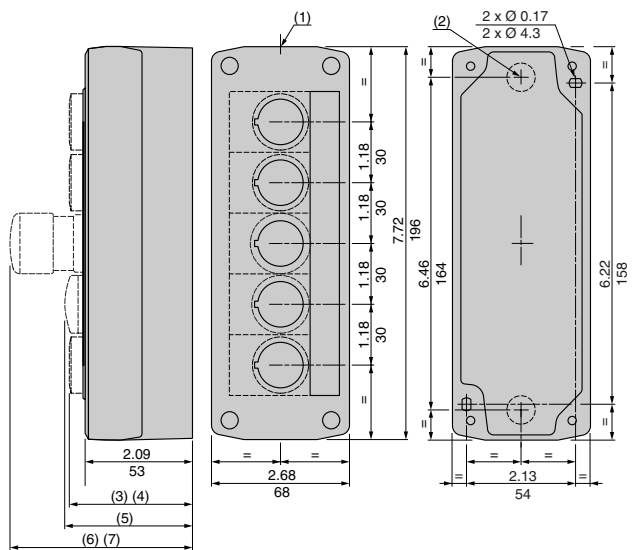
### Three-way control stations XALD3\*\*, K3\*\*, D03



### Four-way control stations XALD4\*\*, K4\*\*, D04



### Five-way control stations XALD5\*\*, K5\*\*, D05



- (1) 2 knock-outs for PG 13.5 cable glands, maximum capacity 0.47 in (12 mm).
- (2) Knock-out for cable entry, maximum capacity 0.55 in (14 mm).

#### Examples:

- (3) 2.44 in (62 mm) for flush push buttons.
- (4) 2.59 in (66 mm) for projecting push buttons.
- (5) 2.52 in (64 mm) for pilot lights.
- (6) 3.43 in (87 mm) for mushroom head push buttons.
- (7) 3.07 in (78 mm) for selector switches.

Dual Dimensions  $\frac{\text{inches}}{\text{mm}}$