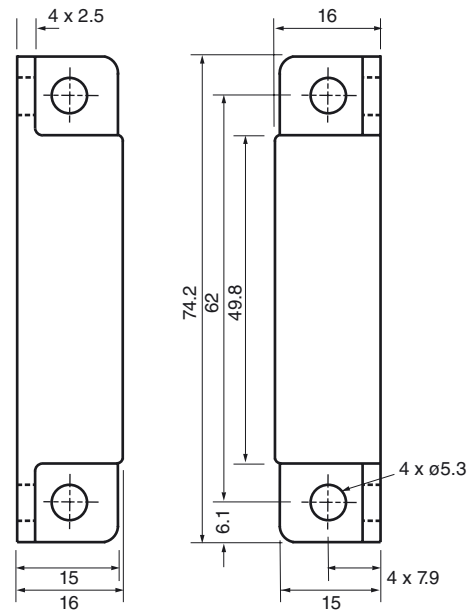


**Model Number**

41FR2

**Features**

- Magnet Actuator
- Compatible with 40FR1.. Series

**Dimensions****Technical Data****Nominal ratings**

Indication of the switching state NO

**Ambient conditions**

Ambient temperature -40 ... 125 °C (-40 ... 257 °F)

**Mechanical specifications**

Housing material Polycarbonate

Sensing face Polycarbonate

Protection degree IP68

Note ALNICO magnet