

FEATURES

- Provides 10 years of battery backup power for Non-volatile SRAMs in the PowerCap Module (PCM) package
- Snaps directly onto a surface-mounted PowerCap module base to form a complete Nonvolatile SRAM module
- Attaches after module base has been surface-mounted to protect lithium battery from the high temperatures of reflow soldering
- Maintains mechanical and electrical connection with module base even during severe shock and vibration stresses
- Detachment feature allows easy removal using a regular screwdriver
- Periodic replacement allows Nonvolatile SRAM module life to be extended indefinitely
- Compatible with these PowerCap module bases:

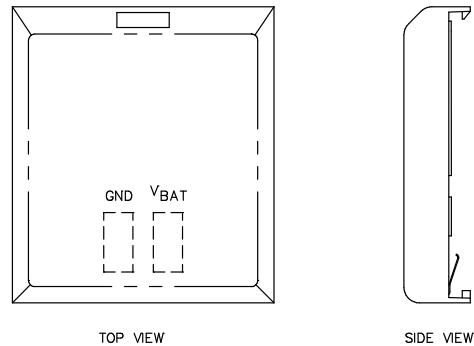
DS1230YP/ABP/WP
 DS1245YP/ABP/WP
 DS1250YP/ABP/WP

DS1330YP/ABP/WP
 DS1345YP/ABP/WP
 DS1350YP/ABP/WP

DESCRIPTION

The DS9034PC PowerCap is a snap-on lithium power source for Nonvolatile SRAMs in Dallas Semiconductor's directly surface-mountable PowerCap module base package. After a PowerCap module has been soldered in place and cleaned, the DS9034PC PowerCap is snapped onto the base to form a complete Nonvolatile SRAM module. The PowerCap is keyed to prevent

PACKAGE OUTLINE



PIN DESCRIPTION

V_{BAT}	– +3 Volt Battery Output
GND	– Ground

ABSOLUTE MAXIMUM RATINGS

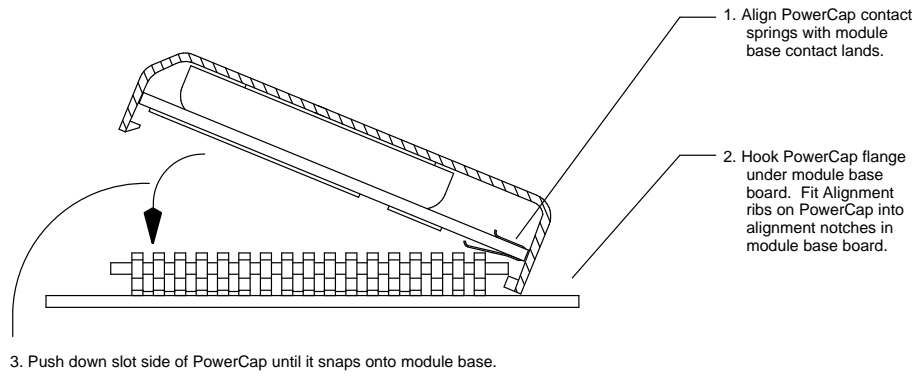
Operating Temperature	–40°C to +85°C
Storage Temperature	–40°C to +85°C

BATTERY CHARACTERISTICS

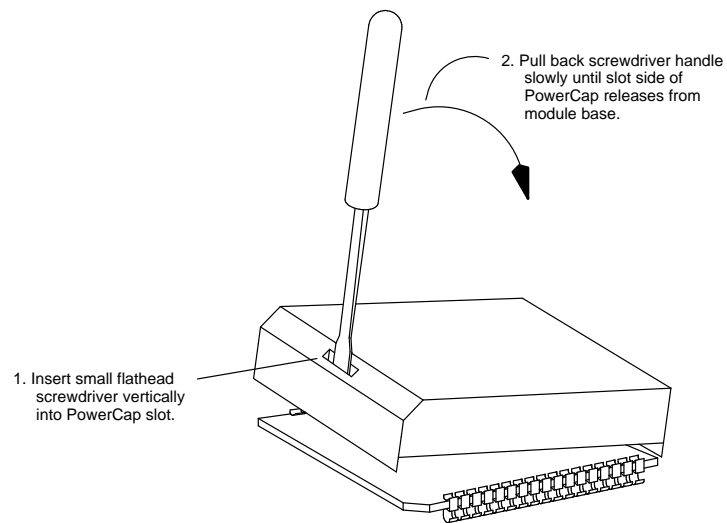
Nominal Voltage	3 volts
Nominal Capacity	130 mAh
Chemistry	Li(CF) _x
Data Retention Life	10 Years (25°C)

incorrect attachment and is designed to maintain mechanical and electrical contact with its host module base even during severe mechanical shock and vibration. The DS9034PC is easily removed by inserting a regular screwdriver into the detachment feature and prying gently outward and upward to release the PowerCap from the module base.

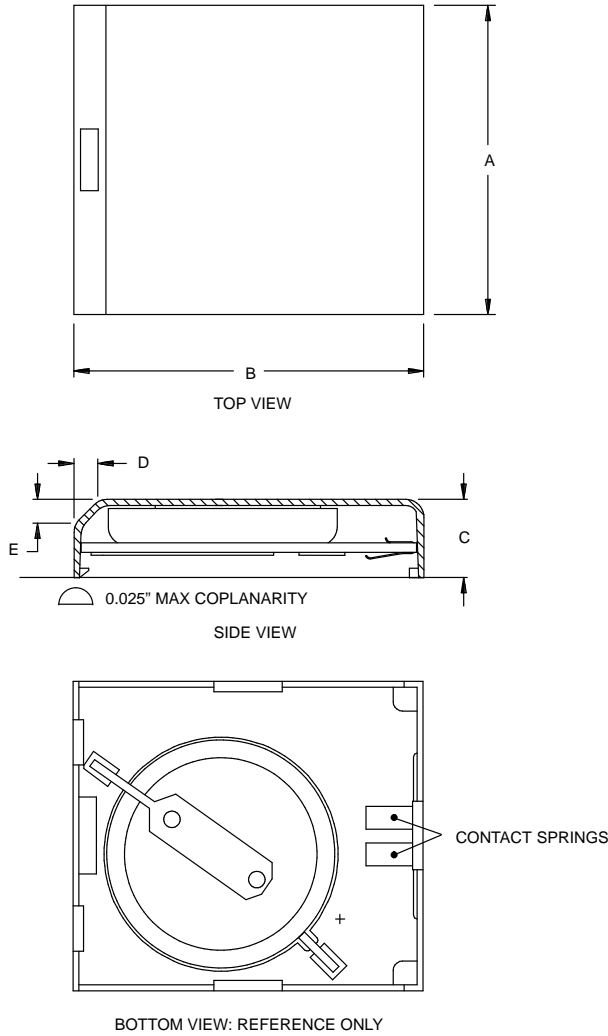
POWERCAP ATTACHMENT



POWERCAP REMOVAL



DS9034PC PACKAGE DIMENSIONS



PKG	INCHES		
	DIM	MIN	NOM
A	0.845	0.850	0.855
B	0.955	0.960	0.965
C	0.210	0.215	0.220
D	0.065	0.070	0.075
E	0.065	0.070	0.075

ATTENTION: BATTERY COMPONENT

The DS9034PC contains a lithium battery. Do not short, ground or apply external voltages to the electrical portions of this device. Do not expose to temperatures over 85°C. Do not subject this device to any type of cleaning process. Store only in non-conductive containers. Failure to observe these precautions may result in battery discharge or decreased battery life.