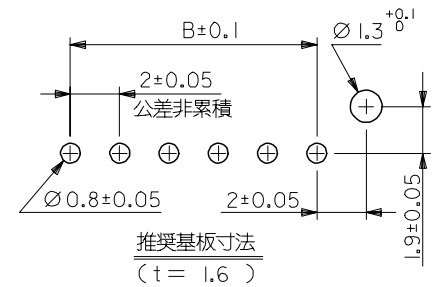
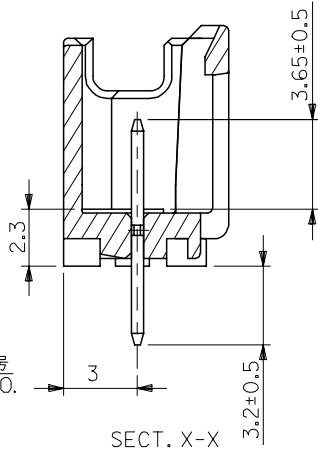
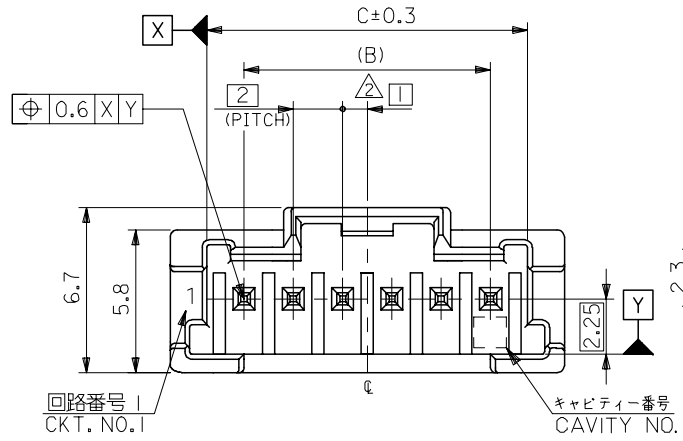


10 9 8 7 6 5 4 3 2 1



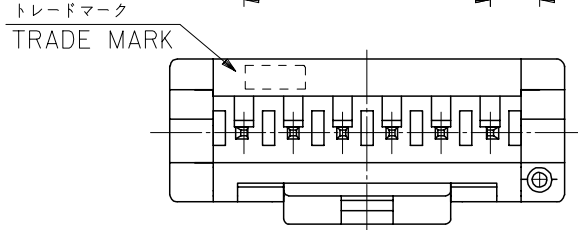
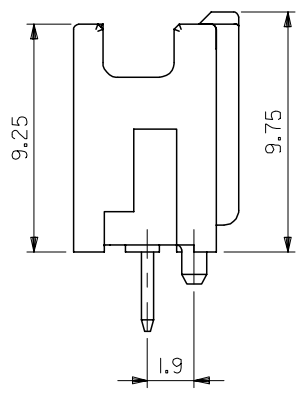
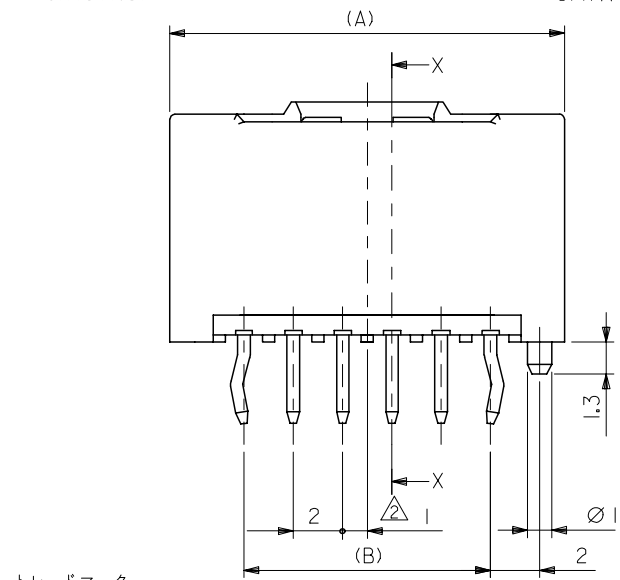
NOTE  
 1. 嵌合相手: 51382シリーズ  
 2. 偶数極 (列) に適用。  
 3. キングは両外側の位置に付加。  
 4. 製品番号 MATERIAL NO.

55932-\*\*\*\*

極数 CIRCUIT SIZE | 色 COLOR

|    |                            |
|----|----------------------------|
| 10 | 自然色 (白)<br>NATURAL (WHITE) |
| 11 | 黒<br>BLACK                 |
| 12 | 赤<br>RED                   |
| 13 | 黄<br>YELLOW                |
| 14 | 青<br>BLUE                  |
| 15 | 桃<br>PINK                  |
| 16 | 緑<br>GREEN                 |
| 17 | 茶<br>BROWN                 |
| 18 | 橙<br>ORANGE                |
| 19 | 紫<br>VIOLET                |
| 41 | 灰<br>GRAY                  |
| 43 | 蛍光黄<br>FLUORESCENCE YELLOW |
| 44 | 水<br>PALE BLUE             |
| 46 | 黄緑<br>YELLOWISH GREEN      |

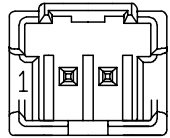
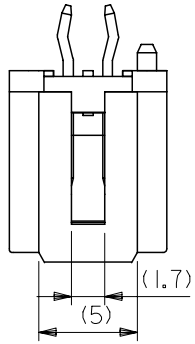
|    |    |    |              |      |
|----|----|----|--------------|------|
| 31 | 28 | 34 | 55932-15**   | 15   |
| 29 | 26 | 32 | 55932-14**   | 14   |
| 27 | 24 | 30 | 55932-13**   | 13   |
| 25 | 22 | 28 | 55932-12**   | 12   |
| 23 | 20 | 26 | 55932-11**   | 11   |
| 21 | 18 | 24 | 55932-10**   | 10   |
| 19 | 16 | 22 | 55932-09**   | 9    |
| 17 | 14 | 20 | 55932-08**   | 8    |
| 15 | 12 | 18 | 55932-07**   | 7    |
| 13 | 10 | 16 | 55932-06**   | 6    |
| 11 | 8  | 14 | 55932-05**   | 5    |
| 9  | 6  | 12 | 55932-04**   | 4    |
| 7  | 4  | 10 | 55932-03**   | 3    |
| 5  | 2  | 8  | 55932-02**   | 2    |
| C  | B  | A  | MATERIAL NO. | CKT. |



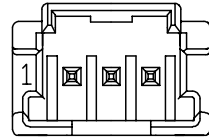
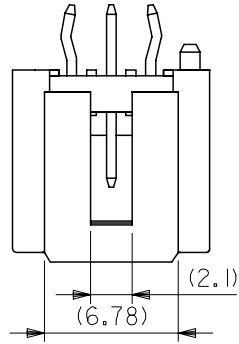
MATERIAL  
 ピン : 黄銅、錫メッキ  
 ハウジング : PBT

|  |                                       |             |                             |  |   |   |                        |
|--|---------------------------------------|-------------|-----------------------------|--|---|---|------------------------|
| REVISED<br>EC No: J2005-3098<br>2005/04/15<br>DRWN: MABEI<br>2005/04/18<br>CHKD: KTOJO<br>2005/04/21<br>APPR: NUKITA | GENERAL TOLERANCES (UNLESS SPECIFIED) |             | DIMENSION STYLE<br>MM ONLY  |  | SCALE<br>---  | DESIGN UNITS<br>METRIC  | THIRD ANGLE PROJECTION |
|  | 10 UNDER                              | ±0.2        | DRAWN BY<br>T. NIITSU       |  | DATE<br>'02/02/08   | TITLE<br>2.0 W/B SINGLE CONN.<br>PLUG HOUSING ASS'Y ST<br>-LEAD FREE- |                        |
|  | 10 OVER 30 UNDER                      | ±0.25       | CHECKED BY<br>K. ASAKAWA    |  | DATE<br>'03/06/12   | MOLEX INCORPORATED  |                        |
|  | 30 OVER                               | ±0.3        | APPROVED BY<br>T. YAMAGUCHI |  | DATE<br>'03/06/12   | DOCUMENT NO.<br>SD-55932-002  | SHEET NO.<br>1 OF 2    |
|  | ANGULAR ±3 °                          |             | MATERIAL NO.<br>SEE CHART   |  | THIS DRAWING CONTAINS INFORMATION THAT IS PROPRIETARY TO MOLEX INCORPORATED AND SHOULD NOT BE USED WITHOUT WRITTEN PERMISSION |   |                        |
| DRAFT WHERE APPLICABLE<br>MUST REMAIN<br>WITHIN DIMENSIONS   |                                       | SIZE<br>A 3 |                             |  |   |   |                        |

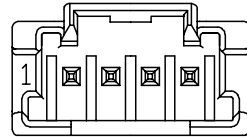
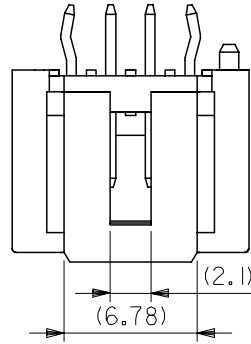
10 9 8 7 6 5 4 3 2 1



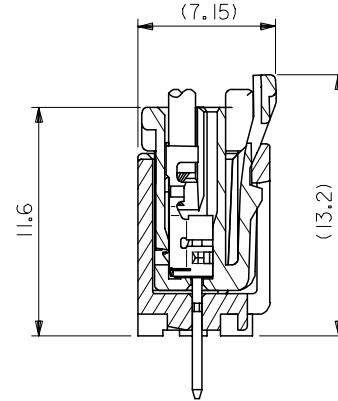
2 CIRCUIT



3 CIRCUIT



4 CIRCUIT 以上



嵌合断面図

MODEL NO. : 55932-\*\*\*\*

|   |                                       |             |                             |  |   |   |                        |  |  |
|---|---------------------------------------|-------------|-----------------------------|--|---|---|------------------------|--|--|
| REVISED<br>EC NO: J2005-3098<br>DRAWN: NABE 2005/04/15<br>CHKD: KTOJO 2005/04/18<br>APPR: NUKITA 2005/04/21 | GENERAL TOLERANCES (UNLESS SPECIFIED) |             | DIMENSION STYLE<br>MM ONLY  |  | SCALE<br>---  | DESIGN UNITS<br>METRIC  | THIRD ANGLE PROJECTION |  |  |
|   | 10 UNDER                              | ±0.2        | DRAWN BY<br>T. NIITSU       |  | DATE<br>'02/02/08   | TITLE<br>2.0 W/B SINGLE CONN.<br>PLUG HOUSING ASS'Y ST<br>-LEAD FREE- |                        |  |  |
|   | 10 OVER 30 UNDER                      | ±0.25       | CHECKED BY<br>K. ASAKAWA    |  | DATE<br>'03/06/12   |   |                        |  |  |
|   | 30 OVER                               | ±0.3        | APPROVED BY<br>T. YAMAGUCHI |  | DATE<br>'03/06/12   | MOLEX INCORPORATED<br>DOCUMENT NO. SD-55932-002 SHEET NO. 2 OF 2      |                        |  |  |
|   | ANGULAR ±3 °                          |             | MATERIAL NO.<br>SEE CHART   |  |   |   |                        |  |  |
| DRAFT WHERE APPLICABLE MUST REMAIN WITHIN DIMENSIONS  |                                       | SIZE<br>A 3 |                             |  | THIS DRAWING CONTAINS INFORMATION THAT IS PROPRIETARY TO MOLEX INCORPORATED AND SHOULD NOT BE USED WITHOUT WRITTEN PERMISSION |   |                        |  |  |