



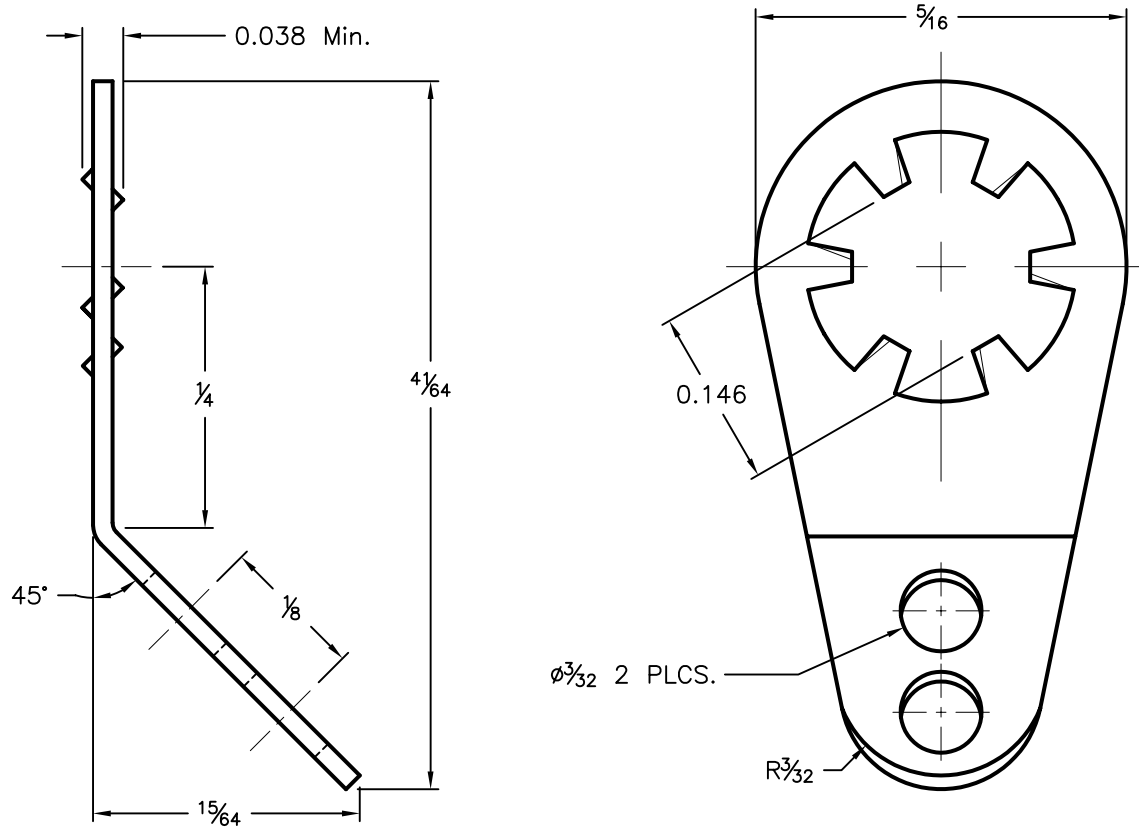
ALL RIGHTS RESERVED. NO PORTION OF THIS PUBLICATION, WHETHER IN WHOLE OR IN PART CAN BE REPRODUCED WITHOUT THE EXPRESS WRITTEN CONSENT OF SPC TECHNOLOGY.

SPC-F005.DWG

REVISIONS

DOC. NO. SPC-F005 \* Effective: 7/8/02 \* DCP No: 1398

DCP #	REV	DESCRIPTION	DRAWN	DATE	CHECKD	DATE	APPRVD	DATE
1075	A	RELEASED	HYO	7/19/01	JC	9/6/01	DJC	9/21/01
1879	B	Update To RoHS Compliant	BYF	12/26/05	HO	1/18/06	HO	1/18/06



Material: Bronze, Finish matte acid tin

DISCLAIMER:  
ALL STATEMENTS AND TECHNICAL INFORMATION CONTAINED HEREIN ARE BASED UPON INFORMATION AND/OR TESTS WE BELIEVE TO BE ACCURATE AND RELIABLE. SINCE CONDITIONS OF USE ARE BEYOND OUR CONTROL, THE USER SHALL DETERMINE THE SUITABILITY OF THE PRODUCT FOR THE INTENDED USE AND ASSUME ALL RISK AND LIABILITY WHATSOEVER IN CONNECTION THEREWITH.

TOLERANCES:

UNLESS OTHERWISE SPECIFIED.  
FRACTIONAL ± 1/2  
DECIMALS XXX. ± 0.005  
ANGULAR ± 2°  
HOLE: ± 0.002

DRAWN BY:	DATE:
HISHAM ODISH	7/19/01
CHECKED BY:	DATE:
JOHN COLE	9/6/01
APPROVED BY:	DATE:
DANIEL CAREY	9/21/01

DRAWING TITLE:

LOCKWASHER TERMINAL LUG

SIZE	DWG. NO.	ELECTRONIC FILE	REV
A	SPC10873	27C0067.DWG	B
SCALE: NTS	U.O.M.: INCHES	SHEET: 1 OF 1	