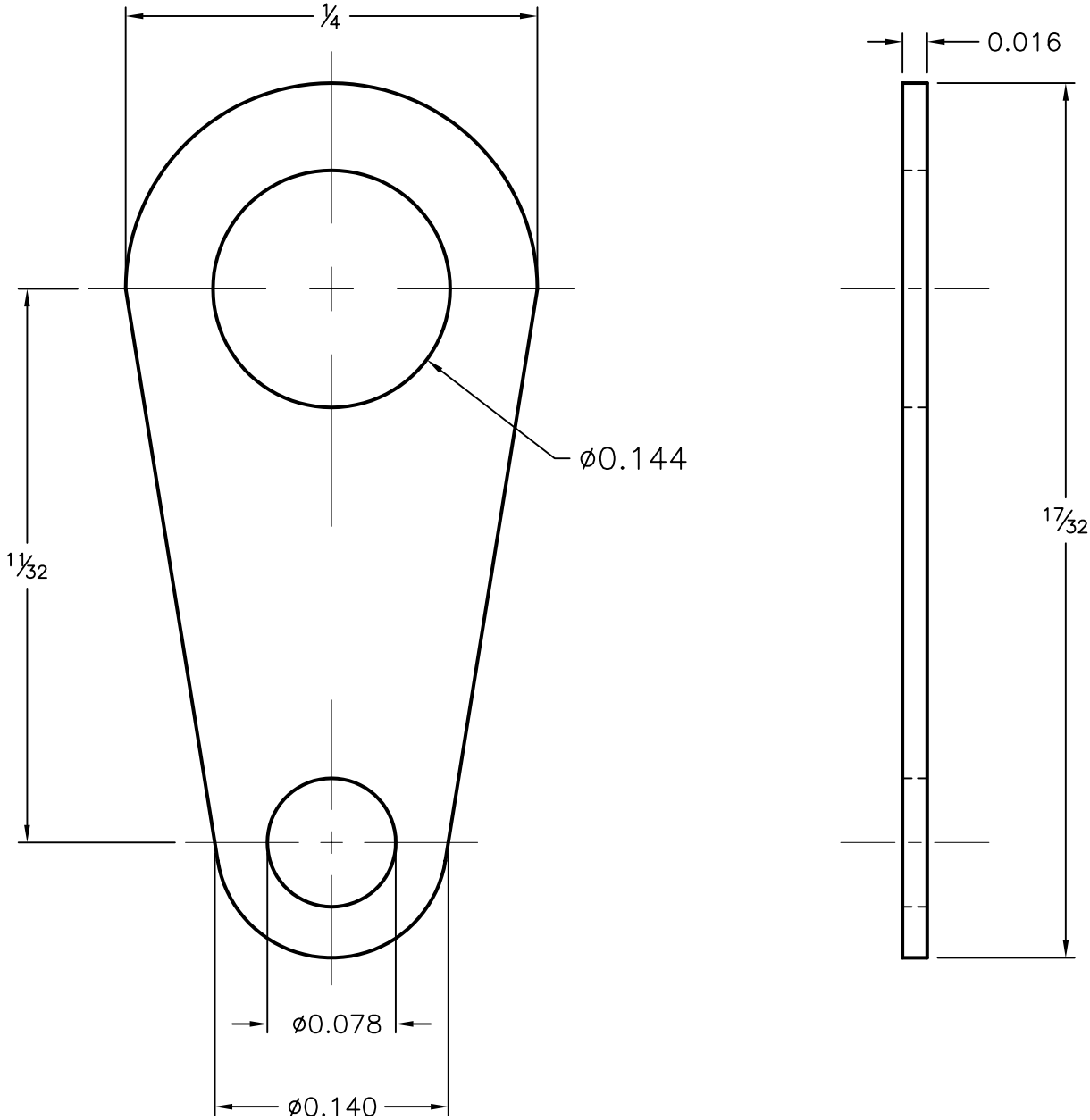




REVISIONS			DOC. NO. SPC-F004 * Effective: 7/8/02 * DCP No: 1398						
DCP #	REV	DESCRIPTION	DRAWN	DATE	CHECKD	DATE	APPRVD	DATE	
1075	B	REDRAWN & UPDATED	HYO	7/17/01	JC	8/24/01	JC	8/24/01	
1879	C	Update To RoHS Compliant	BYF	12/26/05	HO	1/18/06	HO	1/18/06	



Material: Copper, Finish matte tin

SPC-F004.DWG

<b>TOLERANCES:</b>  UNLESS OTHERWISE SPECIFIED. FRACTIONAL $\pm \frac{1}{2}$ DECIMALS XXX. $\pm 0.005$ ANGULAR $\pm 2^\circ$ HOLE: $\pm 0.002$	DRAWN BY:	DATE:	DRAWING TITLE:			
	JOHN COLE	9/26/91	FLAT SOLDER TERMINAL LUG			
	CHECKED BY:	DATE:	SIZE	DWG. NO.	ELECTRONIC FILE	REV
	APPROVED BY:	DATE:	A	11A-144-MT	50N437.DWG	C
SCALE: NTS		U.O.M.: INCHES		SHEET: 1 OF 1		

ALL RIGHTS RESERVED. NO PORTION OF THIS PUBLICATION, WHETHER IN WHOLE OR IN PART CAN BE REPRODUCED WITHOUT THE EXPRESS WRITTEN CONSENT OF SPC TECHNOLOGY. DISCLAIMER: ALL STATEMENTS AND TECHNICAL INFORMATION CONTAINED HEREIN ARE BASED UPON INFORMATION AND/OR TESTS WE BELIEVE TO BE ACCURATE AND RELIABLE. SINCE CONDITIONS OF USE ARE BEYOND OUR CONTROL, THE USER SHALL DETERMINE THE SUITABILITY OF THE PRODUCT FOR THE INTENDED USE AND ASSUME ALL RISK AND LIABILITY WHATSOEVER IN CONNECTION THEREWITH.