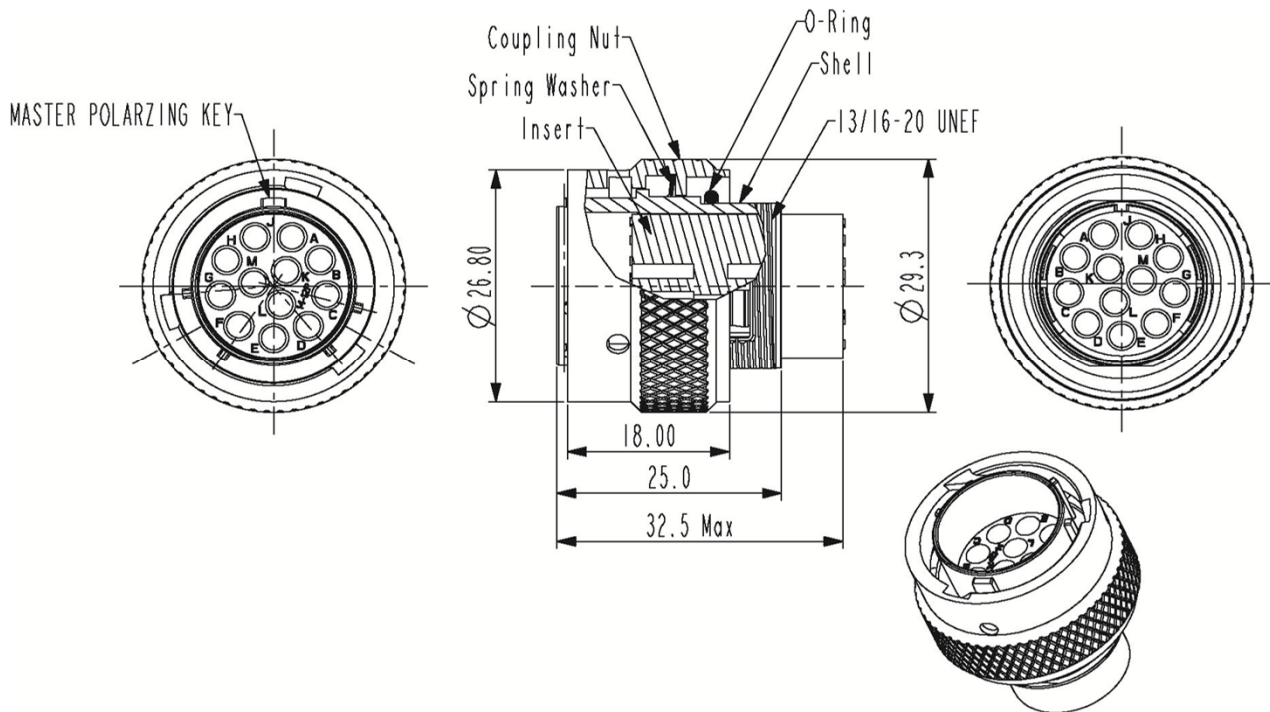


| CONFIGURATION | PART NUMBER |
|-------------------------------------|-------------|
| Male Plug, 12 Pin, 16 Awg, Shell 14 | RT061412PNH |

DIMENSIONS



TECHNICAL DATA

| | |
|--------------------|--|
| TEMPERATURE RANGE: | -40°C to + 105°C |
| PROTECTION: | IP67 in mated condition and in combination with sealed backshell |
| VOLTAGE RATING: | 250V |
| HOUSING BODY: | Zinc Alloy, Nickel Plated |
| COUPLING NUT: | Aluminum, Nickel Plated |
| INSERT: | Glass-filled Thermoplastic UL94-V0 |
| SEAL: | - |
| CURRENT: | 13A |
| CONTACT SIZE: | 16 Awg |
| APPROVALS: | UL ECBT2 |