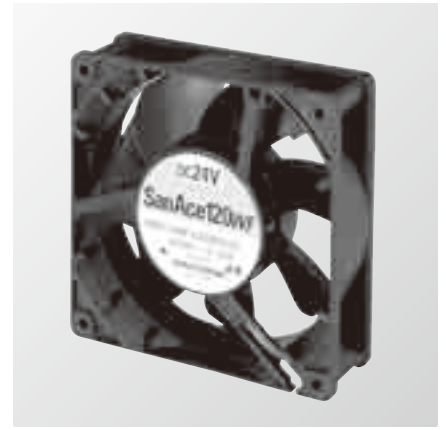


120mm sq.

San Ace 120WF

38mm thick



General Specifications With a pulse sensor

- Material Frame: Plastics (Flammability: UL94V-0),
Impeller: Plastics (Flammability: UL94V-0)
- Life Expectancy Varies for each model(L10:Survival rate: 90% at 60°C ,
rated voltage,and continuously run in a free air state)
- Lead Wire ⊕red ⊖black Sensor yellow
- Storage Temperature -30°C to +70°C (Non-condensing)

The product can be used in an oil mist environment*

*Environment where machining oil mist is scattered.
Usage of this product requires an evaluation with the oil that will be used.

120×120×38mm (Mass : 355g)

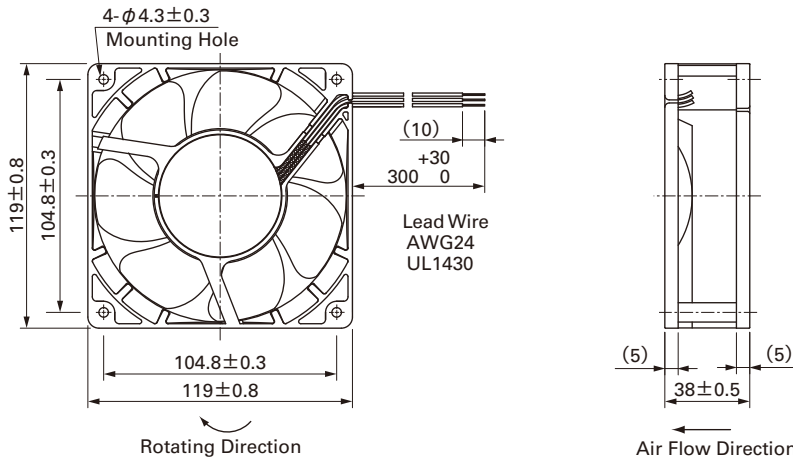
IP 55 Dust resistant device with protection against water jets

Specifications

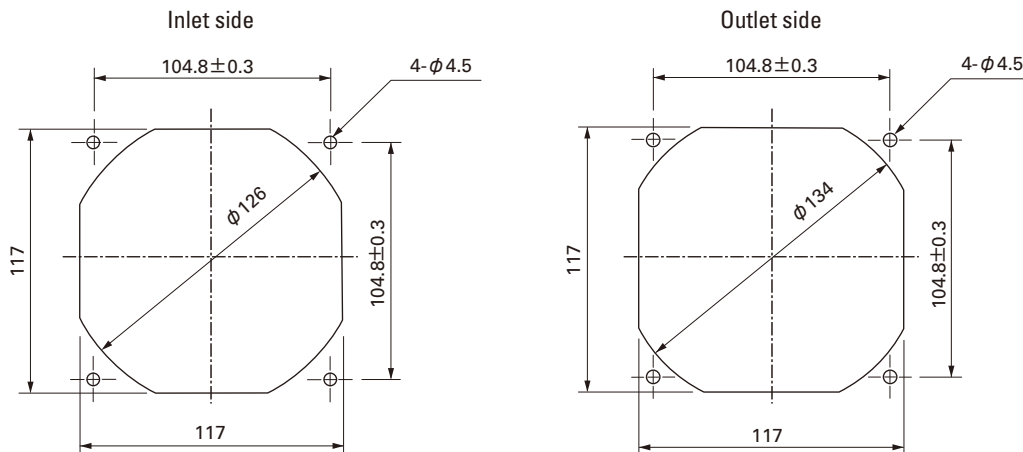
Model No.	Rated Voltage [V]	Operating Voltage Range [V]	Rated Current [A]	Rated Input [W]	Rated Speed [min ⁻¹]	Air Flow [m ³ /min] [CFM]	Static Pressure [Pa] [inchH ₂ O]	SPL [dB(A)]	Operating Temperature [°C]	Life Expectancy [h]
9WF1224H101	24	20.4 to 27.6	0.32	7.68	3,100	3.34 118	100 0.402	46	- 10 to + 70	40,000

Without Sensor **Pulse Sensor** Available in all models. **Lock Sensor** Please inquire as the availability of these functions depend on the model.

Dimensions (Unit : mm)



Reference dimension of mounting holes and vent opening (Unit : mm)

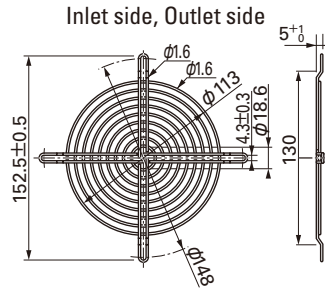
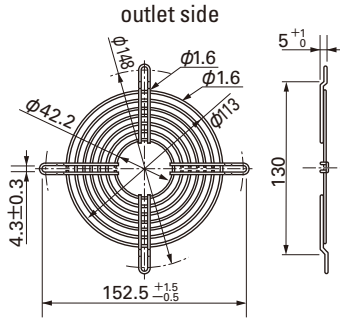


Options (Unit : mm)

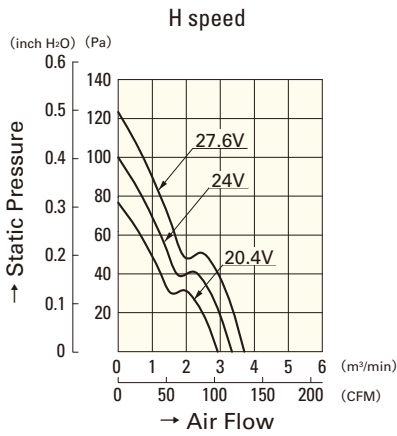
Finger guards

Model : 109-019C Surface treatment : Nickel-chrome plating (silver) Color : 109-019H : Cation electropainting (black)

Model : 109-019E Surface treatment : Nickel-chrome plating (silver) Color : 109-019K : Cation electropainting (black)



Air Flow and Static Pressure Characteristics



9WF1224H101