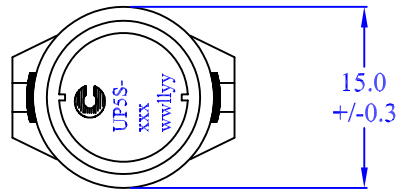
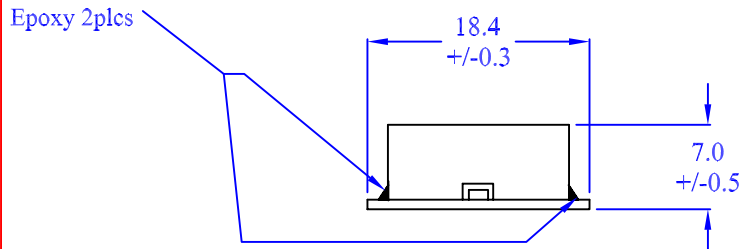


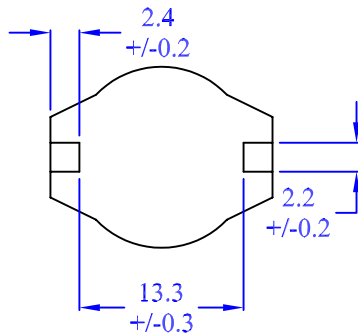
TOP VIEW



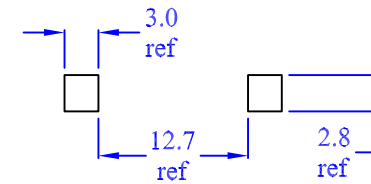
FRONT VIEW



BOTTOM VIEW

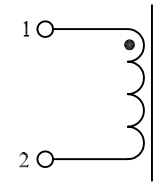


RECOMMENDED PCB LAYOUT

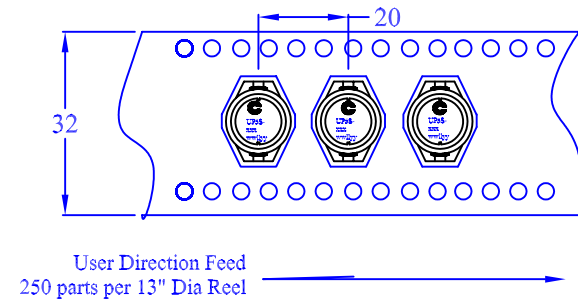


Component Side

SCHEMATIC



TAPE AND REEL ORIENTATION



This Document Subject To Change Without Notice

Notes:

- 1) All Dimensions are in millimeters unless otherwise specified.
 - 2) Stamp as Shown above--
 - Line 1- "C" Logo
 - Line 2- UP5S-
 - Line 3- xxx (xxx=inductance value per family chart)
 - Line 4- wwlllyy
- ww=(week date code), ll=(location), yy=(year)

Cooper Electronic Technologies

3601 Quantum Boulevard, Boynton Beach, FL 33426

Unipac 5S (UP5S) Inductor Line Shielded SMD,
7.5mm max ht, Shielded Drum core/header

Size	Drawing Number: UP5S Inductor Line	
A	Revision Level: B	Sheet 3 of 4