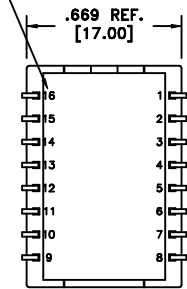


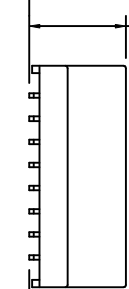
CUSTOMER TERMINAL	RoHS	LEAD(Pb)-FREE
Sn100%	Yes	Yes

TERM. NO.'s FOR REF. ONLY



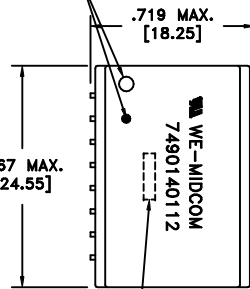
.669 REF.
[17.00]

-A- .004[.10]



.427 MAX.
[10.85]

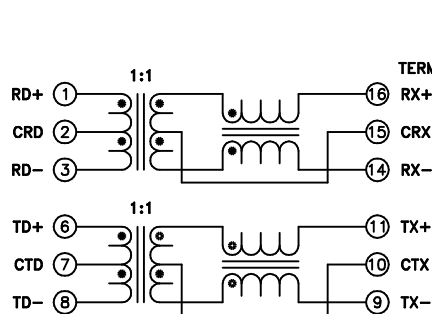
RECESS/DOT LOCATES TERM. #1



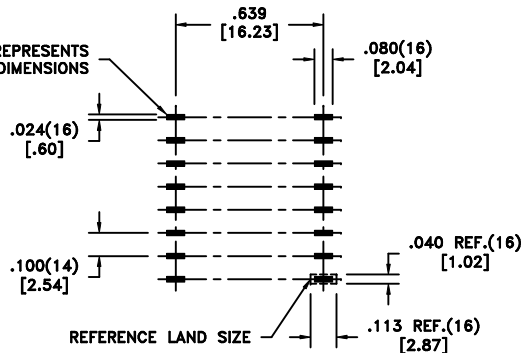
.967 MAX.
[24.55]

LOT CODE & DATE CODE

WE-MIDCOM
7490140112



AREA REPRESENTS
TERMINAL PAD DIMENSIONS



CUSTOMER TO DETERMINE LAND LAYOUT

ELECTRICAL SPECIFICATIONS @ 25°C unless otherwise noted:

PARAMETER	TEST CONDITIONS	VALUE
INDUCTANCE	16-14 100kHz, 100mVAC, 8mADC, Lp	350uH min.
INDUCTANCE	11-9 100kHz, 100mVAC, 8mADC, Lp	350uH min.
DIELECTRIC	INPUT-OUTPUT 7200Vrms, 1 second	6000Vrms, 1 minute
URNS RATIO	(1-3):(16-14)	1:1, ±2%
URNS RATIO	(6-8):(11-9)	1:1, ±2%
INSERTION LOSS	100k - 100MHz	-1.4dB max.
RETURN LOSS	500k - 30MHz	-12dB min.
RETURN LOSS	30M - 45MHz	-10dB min.
RETURN LOSS	45M - 60MHz	-8dB min.
RETURN LOSS	60M - 80MHz	-7dB min.
CROSSTALK	1M - 100MHz	-40dB min.
DCMR	500k - 100MHz	-33dB min.

GENERAL SPECIFICATIONS:

OPERATING TEMPERATURE RANGE: -40°C to +85°C.

COPLANARITY: All 16 terminals must lie on a plane within .004 [.10] of Surface A after lead tinning.

Designed to comply with the following requirements as defined by IEC60950-1:
- Reinforced insulation at a working voltage of 250Vrms.

Designed to comply with with 8mm min. creepage and clearance as defined by IEC60601-1.

REV.	DATE	Packaging Specifications Method: Tape & Reel PKG-0670 www.we-online.com/midcom
00	12/10	SEE REVISION SHEET FOR



CONVENTION PLACEMENT

Tolerances unless otherwise specified:
Angles: ±1° Decimals: ±.005 [.13]
Fractions: ±1/64 Footprint: ±.005 [.13]

This drawing is dual dimensioned. Dimensions in brackets are in millimeters.

DRAWING TITLE
TRANSFORMER
EDFP-J16
eiSos p/n: 7490140112

PART NO.
7490140112
SPECIFICATION SHEET 1 OF 1