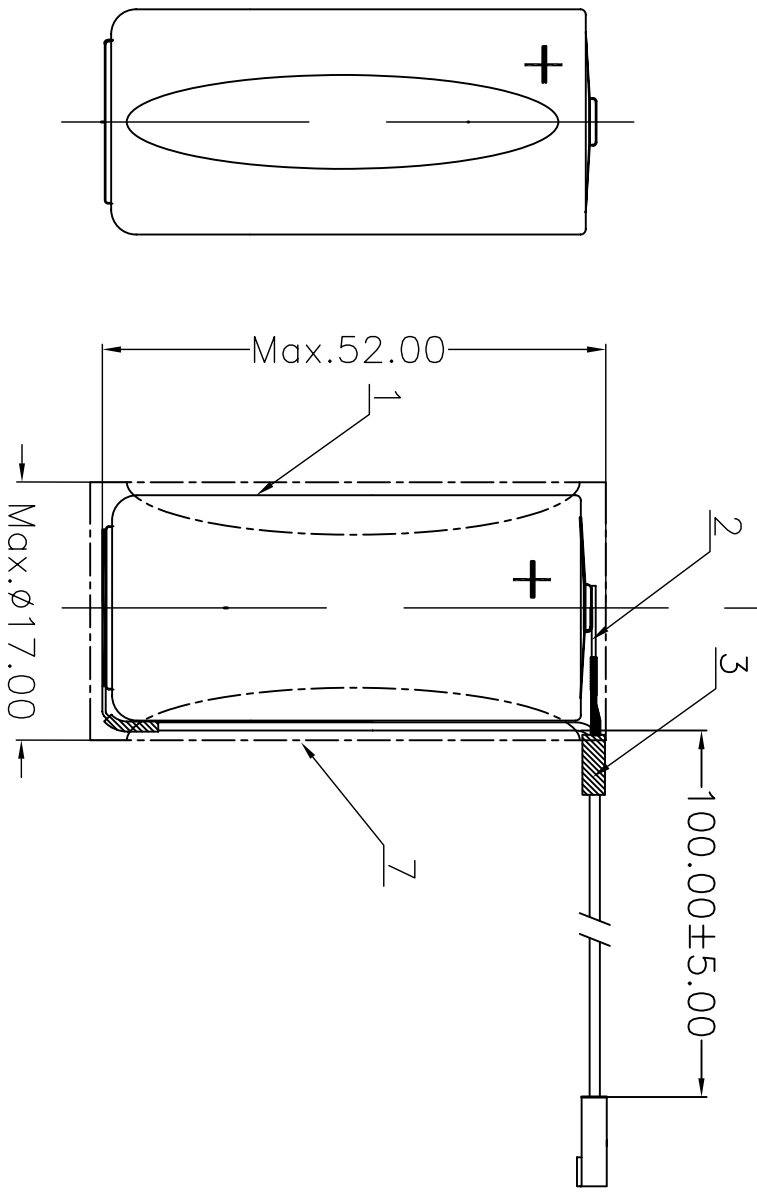
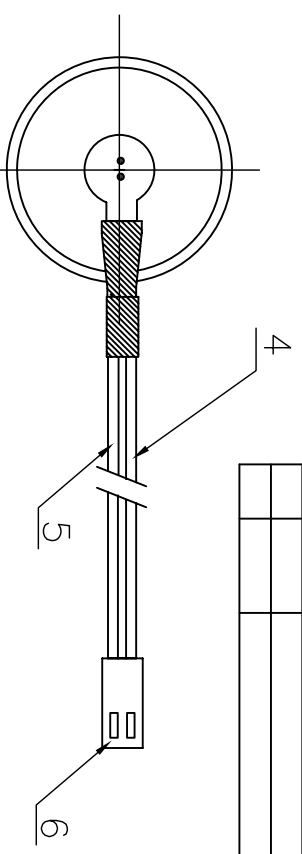


3D FILE NAME

Sym	Date	ECN No.	Description	Modify	Appr.



NO	NAME	SPEC	QTY.
7	PVC TUBE	63*0.1	1PCS
6	CONTACT	2510HX-2P	1PCS
5	BLACK WIRE	UL1332 24AWG	1PCS
4	RED WIRE	UL1332 24AWG	1PCS
3	PE TUBE	$\phi 2.5$	1PCS
2	NICKEL	3*0.15	1PCS
1	CELL	ER14505C	1PCS
	NAME	SPEC	QTY.

THIS DRAWING USED FOR

GENERAL TOLERANCE

DIMENSIONAL TOLERANCES
 X :±0.3
 X.X :±0.2
 X.XX :±0.1
 angles :±0.5°

DON'T COPY WITHOUT ALLOWED BY R&D OF EVE.

3RD. ANGLE'S



SHSD

FINISHING & TREATMENT

EVE EVE Energy Co., Ltd.

APPROVED

CHECKED

DESIGNED

FILE NAME
 DRAWING NO. EVE-RD-F0352H-PACK-01-LF Rev. A

TITLE
 F0352H-DRAWING

A.02.F0352080

F0352H-LF

MATERIAL PART NO. MODEL NO.

UNIT mm

SCALE

SIZE A4 SHEET OF

A B C D E F