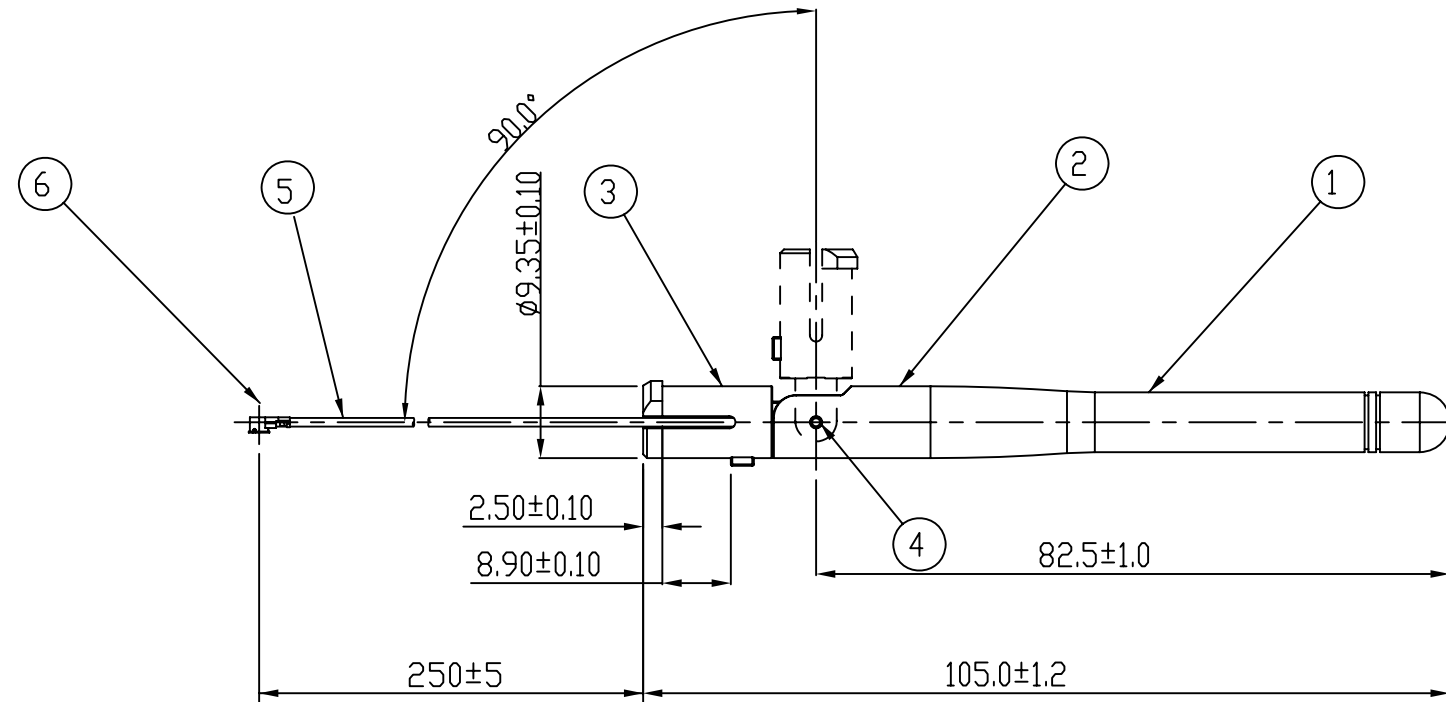


REVISION RECORD				
REV	ECD	DESCRIPTION	DRFT	CHKD




NOTE:
 ELECTRICAL PROPERTIES
 1.DESCRPTION:1/4λ SWIVEL TYPE DIPOLE ANTENNA
 φ9X82.5+MINI-113+I-PEX L=250mm
 2.FREQUENCY :2.45GHz and 5.15~5.85GHz
 3.IMPEDANCE: 50 OHMS NOMINAL
 4.V.S.W.R. :2.0 MAX. IN BAND
 5.GAIN: NOMINAL GAIN 2dBi, VERTICAL DIRECTION
 6.ADMITTED POWER RADIATION:1W
 7.POLARIZATION:VERTICAL
 8.ELECTRICAL LENGTH:1/4λ,DIPOLE
 9.RADIATION:OMNI

MECHANICAL PROPERTIES
 1.CABLE:MINI-113 50 OHMS,GRAY COLOR
 2.OPERATING TEMPERATURE RANGE:-20°C~+65°C
 3.STORAGE TEMPERATURE RANGE:-30°C~+75°C
 4.ROHS COMPLIANT
 5.COLOR:BLACK

ITEN	PART NAME	DESCRIPTION	Q'TY
1	PLASTIC HOUSING	TPEE 55D	1
2	UPPER BASE	PBT+PC	1
3	BOTTOM BASE	PBT+PC	1
4	PIN	BRASS ZN/B	2
5	CABLE	MINI-113 CABLE GRAY COLOR	1
6	CONNECTOR	I-PEX	1

DETACHED LISTS	← MM (INCH) →		DF TO SANDY	DATE 10/02/07
	TOLERANCES EXCEPT AS NOTED		CHKD	DATE
	MM	±	MFO	DATE
	.0 ± 0.2	±	APPVL	DATE
	.00 ± 0.15	±	MATERIAL :	
.000 ± 0.075	±	QT'Y :		
ANGLES ± 0.5		FINISH:		
THIRD ANGLE PROJECTION		SCALE : 1:1		

 Pulse A TECHNITROL COMPANY		RoHS Compliant	
FULL RISE ELECTRONIC CO., LTD			
TITLE φ9 2.45GHz and 5.15~5.85GHz ANTENNA+MINI-113+I-PEX L:250mm			
DRAWING NO. W1039B098		SIZE	REV
/PART NO. W1039B098		A3	A
DO NOT SCALE DRAWING		SHEET 1	OF 1