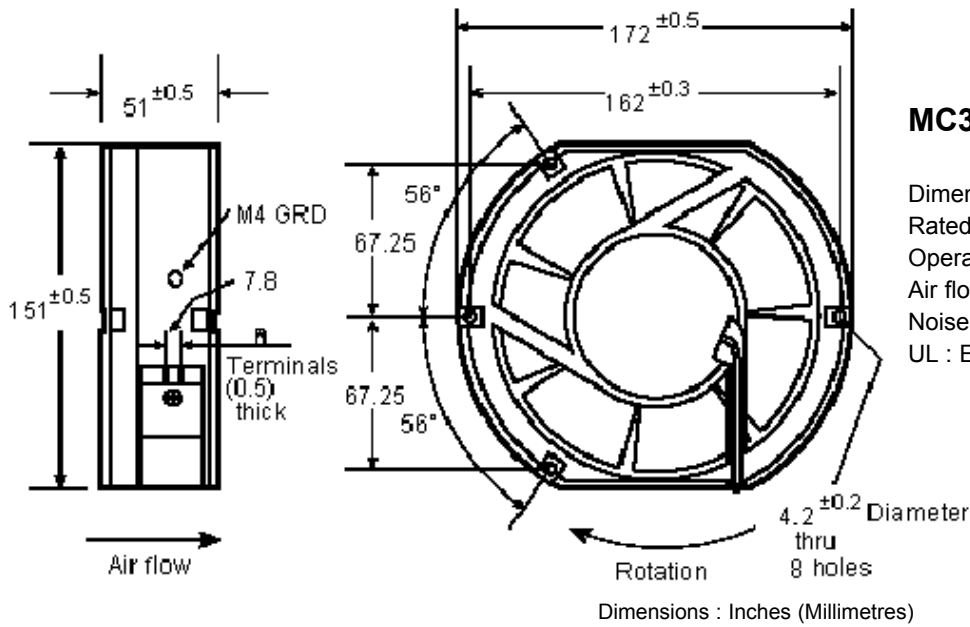


MC36448: Fan Kit (Fan, Wire Guard and Thermostatically Controlled Fan Cord)

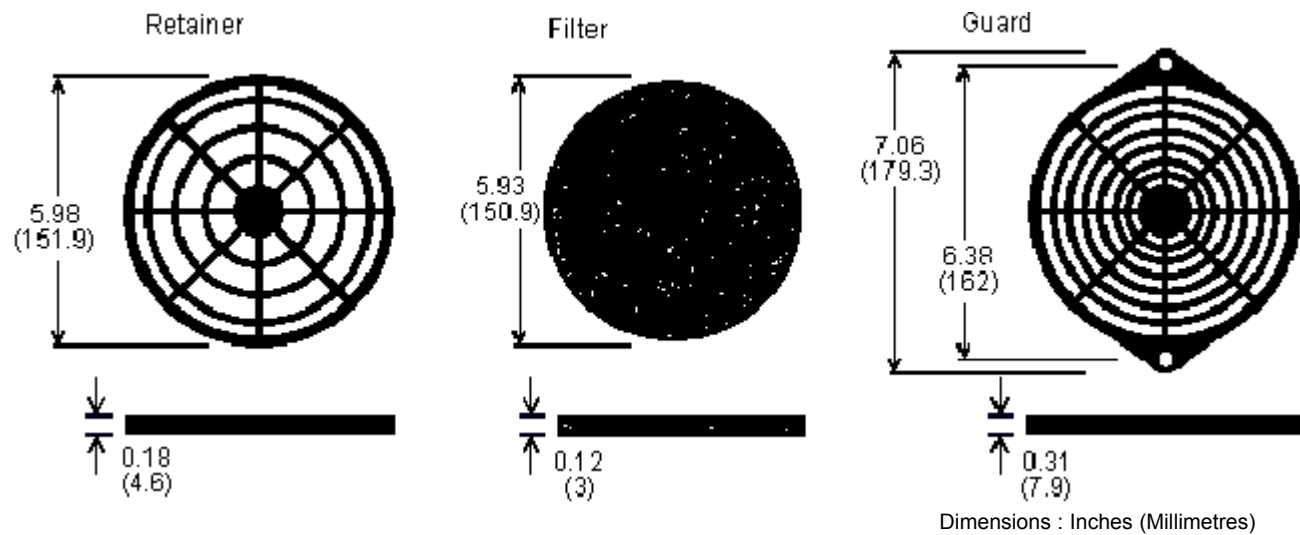


MC36453

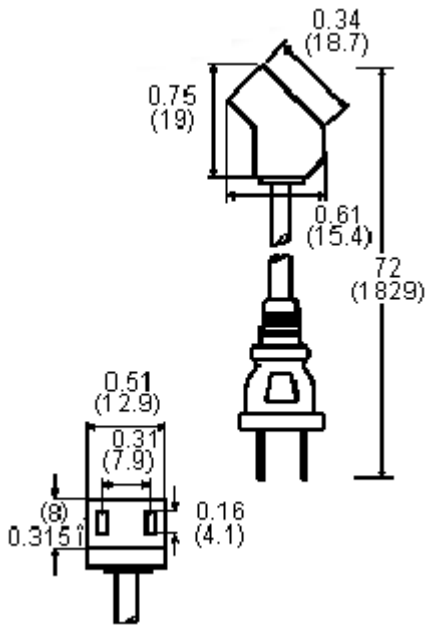
Dimension	: 172 × 150 × 51 mm
Rated voltage	: 115 V ac 50 / 60 Hz
Operating voltage	: 90 to 125 V ac
Air flow	: 240 CFM
Noise level	: 48 dBA
UL	: E175395

MC32676

Material : Plastic UL94V-O
Media : Polyurethane foam UL94HF-1 45PPI



GHP75-72P (45°C Plug)



Dimensions : Inches (Millimetres)

Wire : SPT1, 18/2, 41/34 strands, 105°C, 300 volts, green
 Rating : 10 amperes 125 V ac
 Length : 72 inches
 Thermostat : Fan automatically turns on at 30°C (±3°C), off at 24°C (±3°C)

Part Number Table

Description	Part Number
Fan Kit (Filter and Cord)	MC36448
Fan	MC36453
Fan Filter	MC32676
Power Cord	GHP75-72P

Important Notice : This data sheet and its contents (the "Information") belong to the members of the Premier Farnell group of companies (the "Group") or are licensed to it. No licence is granted for the use of it other than for information purposes in connection with the products to which it relates. No licence of any intellectual property rights is granted. The Information is subject to change without notice and replaces all data sheets previously supplied. The Information supplied is believed to be accurate but the Group assumes no responsibility for its accuracy or completeness, any error in or omission from it or for any use made of it. Users of this data sheet should check for themselves the Information and the suitability of the products for their purpose and not make any assumptions based on information included or omitted. Liability for loss or damage resulting from any reliance on the Information or use of it (including liability resulting from negligence or where the Group was aware of the possibility of such loss or damage arising) is excluded. This will not operate to limit or restrict the Group's liability for death or personal injury resulting from its negligence. Multicomp is the registered trademark of the Group. © Premier Farnell plc 2011.