

ALL MATERIAL ARE RoHS AND CALIFORNIA PROP.65 COMPLIANT



CUSTOMER'S APPROVAL: _____ DATE: _____
 FIRST ARTICLE SAMPLE REQUIRED: YES, NO.

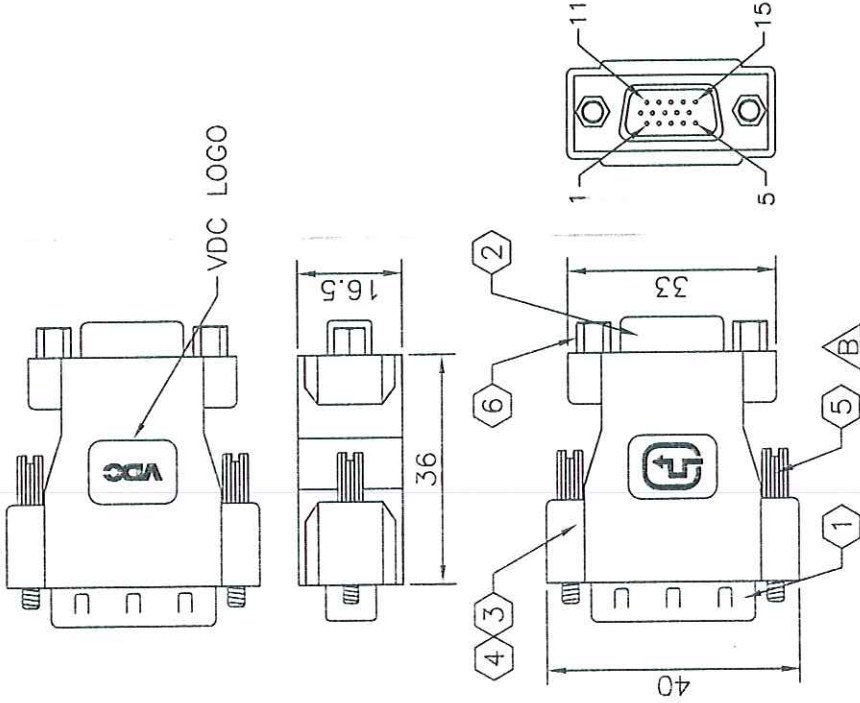
NOTE:
 1. THIS ITEM CONTAINS PAT. US 6,287,148 B1 RF-BLOK™ SHIELDING DESIGN.
 US D483,373 S



Farnell Code 1956283

PINOUT CONFIGURATION

DVI MALE	HD15 FEMALE
C1	1
C2	2
C3	3
C4	13
C5	6
14	7
16	8
15	9
	5
7	10
8	12
6	14
SHELL	15
	SHELL
	11



UNIT: mm

ITEM	DESCRIPTION	QTY.	UNIT.
1	DVI MALE CONNECTOR (12+5)	1	PCS.
2	HD15 FEMALE CONNECTOR	1	PCS.
3	RF-BLOK™	1	PCS.
4	PANTONE BLUE 072U MOLDED PVC HOOD W/VDC LOGO	1	PCS.
5	#4/40 METAL T/S	2	PCS.
6	#4/40 HEXNUT	2	PCS.

