

# Toggle Switches



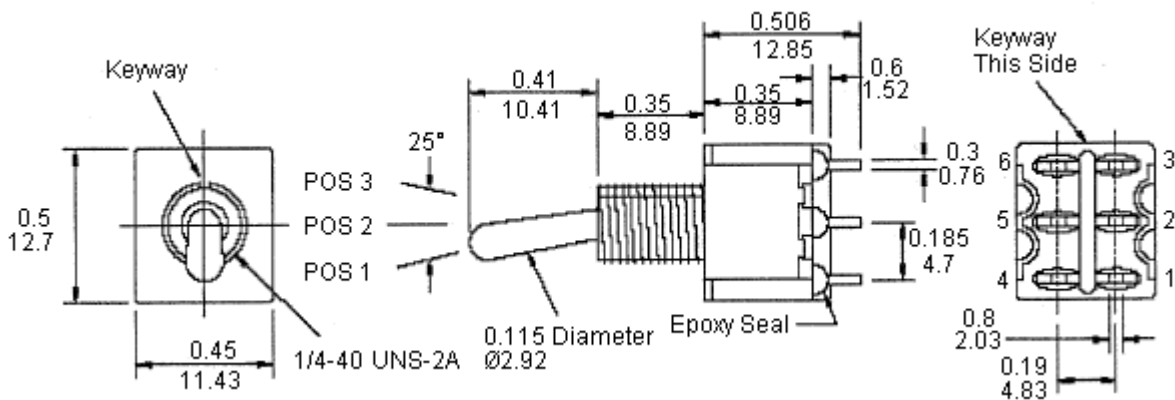
## Specifications:

Action	: SP3T.
Contact rating silver	: 5A at 120 V ac or 28 V dc, 2A at 250 V ac
Maximum contact resistance	: 10 milliohms
Dielectric strength	: 1,000 VRMS
Minimum insulation resistance	: 1,000 megohms at 500 V dc
Operating life	: 40,000 cycles
Operating temperature	: -30°C to +85°C

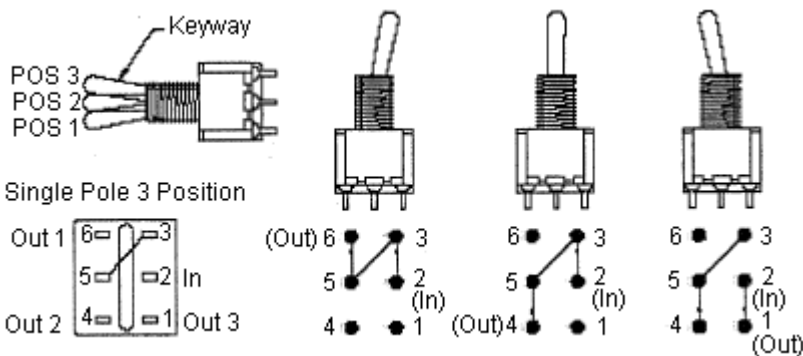


## Materials:

Case	: DAP UL94V-0
Actuator	: Brass, chrome plated
Bushing	: Brass, nickel plated
Housing	: Stainless steel
Support	: Brass, tin plated
Contact terminal	: Copper alloy, silver plated
Hardware	: Nut and lock washer and locking ring






Dimensions : Inches (Millimetres)



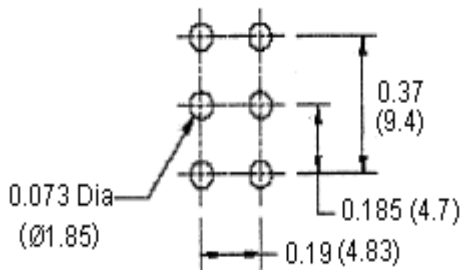
Three-Way Switch Wiring Diagram

# Toggle Switches



Model No.	Switching Position		
			
SPC21314	ON	ON	ON
SPC21315	MOM	ON	MOM
SPC21316	ON	ON	MOM
Conn. Terms	2-3 5-6	2-3 5-4	2-1 5-4

## For PC Mount Termination Only



Dimensions : Inches (Millimetres)

## PCB Layout Component Side

## Part Number Table

Description	Part Number
Toggle Switch	SPC21314
Toggle Switch	SPC21315
Toggle Switch	SPC21316

**Disclaimer** This data sheet and its contents (the "Information") belong to the Premier Farnell Group (the "Group") or are licensed to it. No licence is granted for the use of it other than for information purposes in connection with the products to which it relates. No licence of any intellectual property rights is granted. The Information is subject to change without notice and replaces all data sheets previously supplied. The Information supplied is believed to be accurate but the Group assumes no responsibility for its accuracy or completeness, any error in or omission from it or for any use made of it. Users of this data sheet should check for themselves the Information and the suitability of the products for their purpose and not make any assumptions based on information included or omitted. Liability for loss or damage resulting from any reliance on the Information or use of it (including liability resulting from negligence or where the Group was aware of the possibility of such loss or damage arising) is excluded. This will not operate to limit or restrict the Group's liability for death or personal injury resulting from its negligence. SPC Multicomp is the registered trademark of the Group. © Premier Farnell plc 2011.

<http://www.farnell.com>  
<http://www.newark.com>  
<http://www.cpc.co.uk>

