

Pluggable Terminal Block

3.5 mm Pitch

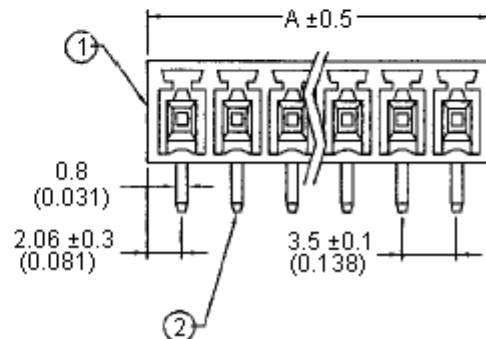
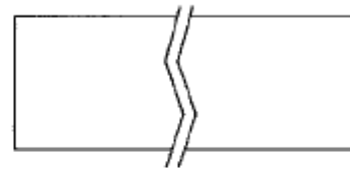
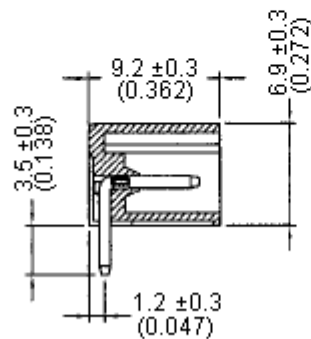
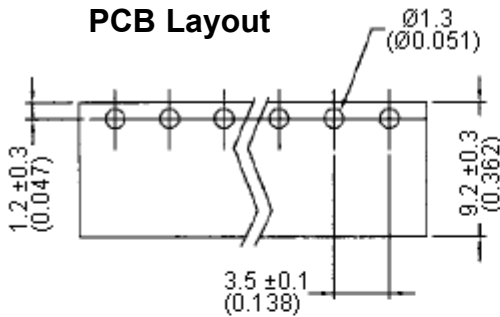


Features:

- Right angle header
- Closed ends



PCB Layout



Dimensions : Millimetres (Inches)

Specifications:

Rated voltage	: 150 V ac
Rated current	: 12 A
Housing material	: Polyamide 66
Solder pin	: 0.8 mm, brass, tin plated
Operating temperature	: -40°C to +105°C
PCB hole diameter	: Ø1.3 mm
UL File Number	E330595

Pluggable Terminal Block

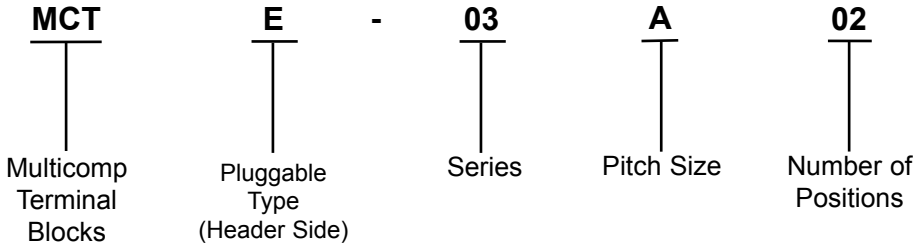


3.5 mm Pitch

Specification Table

Description	A (mm)	A (Inch)	Part Number
Pluggable Terminal Block-Right Angle Header / Closed Ends / 3.5 mm Pitch	7.6	0.299	MCTE-03A02
Pluggable Terminal Block-Right Angle Header / Closed Ends / 3.5 mm Pitch	11.1	0.437	MCTE-03A03
Pluggable Terminal Block-Right Angle Header / Closed Ends / 3.5 mm Pitch	14.6	0.575	MCTE-03A04
Pluggable Terminal Block-Right Angle Header / Closed Ends / 3.5 mm Pitch	18.1	0.713	MCTE-03A05
Pluggable Terminal Block-Right Angle Header / Closed Ends / 3.5 mm Pitch	21.6	0.850	MCTE-03A06
Pluggable Terminal Block-Right Angle Header / Closed Ends / 3.5 mm Pitch	25.1	0.988	MCTE-03A07
Pluggable Terminal Block-Right Angle Header / Closed Ends / 3.5 mm Pitch	28.6	1.126	MCTE-03A08
Pluggable Terminal Block-Right Angle Header / Closed Ends / 3.5 mm Pitch	32.1	1.264	MCTE-03A09
Pluggable Terminal Block-Right Angle Header / Closed Ends / 3.5 mm Pitch	35.6	1.402	MCTE-03A10
Pluggable Terminal Block-Right Angle Header / Closed Ends / 3.5 mm Pitch	39.1	1.539	MCTE-03A11
Pluggable Terminal Block-Right Angle Header / Closed Ends / 3.5 mm Pitch	42.6	1.677	MCTE-03A12

Part Number Explanation:



Number of Positions : 02 = 2, 03 = 3, 04 = 4, 05 = 5, 06 = 6, 07 = 7, 08 = 8, 09 = 9, 10 = 10, 11 = 11 and 12 = 12 Positions

Important Notice : This data sheet and its contents (the "Information") belong to the members of the Premier Farnell group of companies (the "Group") or are licensed to it. No licence is granted for the use of it other than for information purposes in connection with the products to which it relates. No licence of any intellectual property rights is granted. The Information is subject to change without notice and replaces all data sheets previously supplied. The Information supplied is believed to be accurate but the Group assumes no responsibility for its accuracy or completeness, any error in or omission from it or for any use made of it. Users of this data sheet should check for themselves the Information and the suitability of the products for their purpose and not make any assumptions based on information included or omitted. Liability for loss or damage resulting from any reliance on the Information or use of it (including liability resulting from negligence or where the Group was aware of the possibility of such loss or damage arising) is excluded. This will not operate to limit or restrict the Group's liability for death or personal injury resulting from its negligence. Multicomp is the registered trademark of the Group. © Premier Farnell plc 2011.